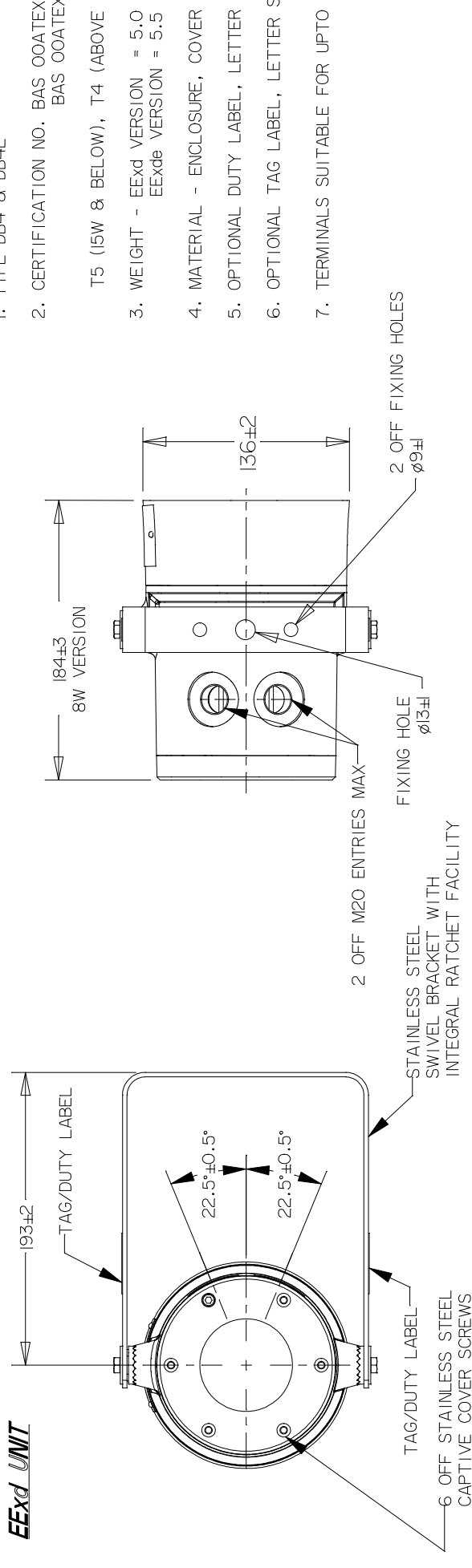


EExd UNIT



1. TYPE DB4 & DB4L
2. CERTIFICATION NO. BAS 00ATEX2097X EExd IIC
BAS 00ATEX2098X EExde IIC
T5 (15W & BELOW), T4 (ABOVE 15W)
3. WEIGHT - EExd VERSION = 5.0 ± 0.3 kg
EExde VERSION = 5.5 ± 0.3 kg
4. MATERIAL - ENCLOSURE, COVER & HORN - GRP.
5. OPTIONAL DUTY LABEL, LETTER SIZE 5 MAX
6. OPTIONAL TAG LABEL, LETTER SIZE 5 MAX.
7. TERMINALS SUITABLE FOR UPTO 2.5 mm² CABLE.

ISSUES	B. 09/10/02 TP	GENERAL TOLERANCES UOS ±0.25 ±0.5° 3.2	ALL DIMENSIONS ARE IN MILLIMETRES UNLESS OTHERWISE STATED	THIS DRAWING IS CONFIDENTIAL AND IS THE PROPERTY OF MEDC AND MUST NOT BE REPRODUCED EITHER WHOLLY OR PARTLY. ALL RIGHTS IN RESPECT OF PATENTS, DESIGNS AND COPYRIGHT ARE RESERVED.	DATE: 18/08/00	TITLE	SHT 1 OF 2
	C. 08/07/03 PF		REMOVE ALL BURRS AND SHARP CORNERS MACHINE SYMBOLS THUS		DATE: 18/08/00	CUSTOMER GA DB4 & DB4L SPEAKERS	
					DATE: 18/08/00	SIZE: A3	ISSUE C

MEDC

MEDC Ltd, Colliery Road, Pinxton
Nottingham NG16 6JF, U.K.
Tel: +44 (0)1773 864100
Fax: +44 (0)1773 552800
e-mail: info@medc.com web: www.medc.com

DESIGNERS & MANUFACTURERS
OF ELECTRICAL & ELECTRONIC
EQUIPMENT & SYSTEMS FOR
HAZARDOUS AREAS