



Technical Manual for the Speaker – DB4

Please note that every care has been taken to ensure the accuracy of our technical manual. We do not, however, accept responsibility for damage, loss or expense resulting from any error or omission. We reserve the right to make alterations in line with technical advances and industry standards.

1. INTRODUCTION

These speakers have been designed for use in harsh environmental conditions.

2. INSTALLATION

General

When installing and operating explosion-protected electrical equipment, requirements for selection, installation and operation should be referred to eg. IEC 60079-14 worldwide and the 'National Electrical Code' in North America. Additional national and/or local requirements may apply.

Ensure that all nuts, bolts and fixings are secure.

Ensure that only the correct UL listed stopping plugs are used to blank off unused gland entry points and that the NEMA/IP rating of the unit is maintained.

The DB4 is mounted via 2 x Ø 0.354" (9 mm) fixing holes in the 'u' shaped stirrup/mounting bracket. The fixing holes have been designed to accept an M6 screw or bolt. MEDC recommend the use of stainless steel screws.

The elevation of the unit can be adjusted by loosening the 2 x M6 screws which fasten the stirrup to the horn. The unit can then be adjusted by rotating to the required position and then tightening the M6 screws. The DB4 should be positioned such that debris, dust or water cannot settle in the re-entrant horn.

Cable Termination

CAUTION: Before removing the cover assembly, ensure that the power to the unit is isolated.

Unscrew the 6 off screws holding the cover to the unit. Twist the cover gently clockwise and anti-clockwise, whilst pulling it away from the unit. Remove to gain access to the interior of the base.

Cable termination should be in accordance with specifications applying to the application. MEDC recommend that all cables and cores should be fully identified.

Ensure that only correct UL Listed cable glands are used and that the assembly is shrouded and correctly earthed.

All cable glands should be of an equivalent NEMA/IP rating to that of the speaker and integrated with the unit such that this rating is maintained.

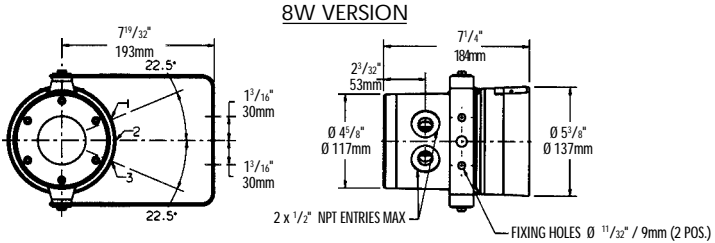
Once termination is complete, carefully push the cover back onto the unit, avoiding damage to the mating surfaces. Tighten the 6 off cover screws evenly, to ensure maintenance of the required gap between the cover and enclosure.

3. OPERATION

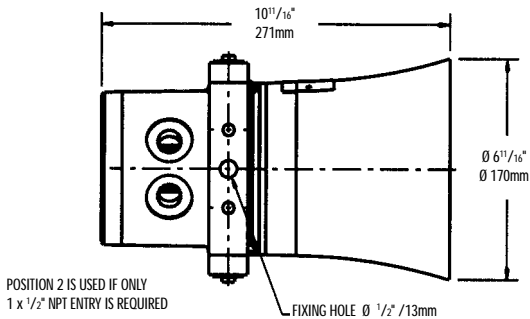
The speaker is available in 3 standard wattage ratings. Different sound levels can be obtained by selecting the transformer tapings in the unit.

GENERAL ARRANGEMENT

ALL DIMENSIONS IN INCHES AND MILLIMETERS



15W & 25W VERSIONS



4. MAINTENANCE

During the working life of the unit, little or no maintenance is required. However, if abnormal or unusual environmental conditions occur due to plant damage or accident etc., then visual inspection is recommended.

If a fault should occur, it is recommended that the unit be returned to MEDC for repair. All parts are replaceable.

If you have acquired a significant quantity of units, it is recommended that spares are also made available. Please discuss your requirements with the Technical Sales Engineers at MEDC.

5. CERTIFICATION/APPROVALS

Please refer to marking on the unit for specific approval details.

- UL listed for use in Class 1, Zone 1, AExd IIC T4.
USA (USL) and Class 1, Division 2, Groups A, B, C & D.
Canada (CNL)
- UL Standards UL2279 & UL464.

6. CERTIFIED TEMPERATURE

-55°C to +55°C

-67°F to +131°F

MEDC Ltd, Colliery Road, Pinxton, Nottingham NG16 6JF, UK.

Tel: +44 (0)1773 864100 Fax: +44 (0)1773 582800

Sales Enq. Fax: +44 (0)1773 582830 Sales Orders Fax: +44 (0)1773 582832

E-mail: sales@medc.com Web: www.medc.com

MEDC Stock No.
TM105-ISSA
