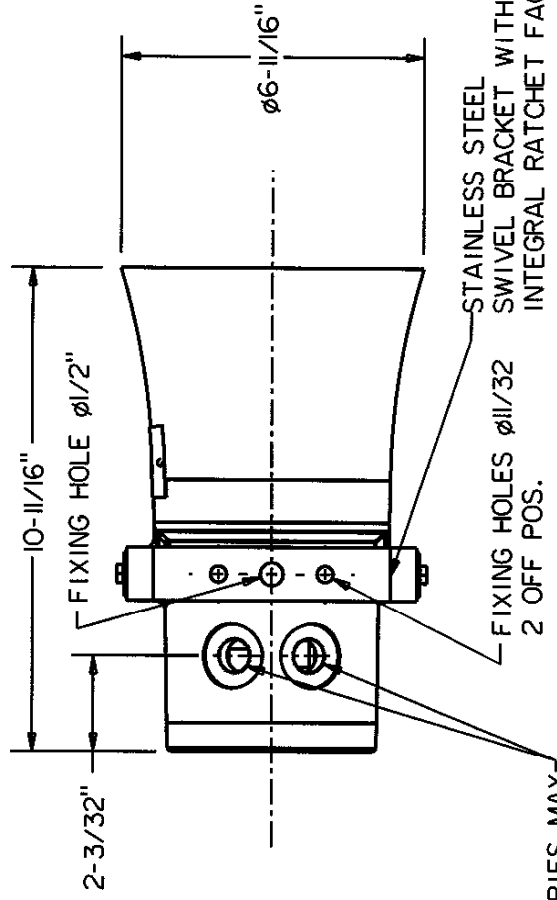
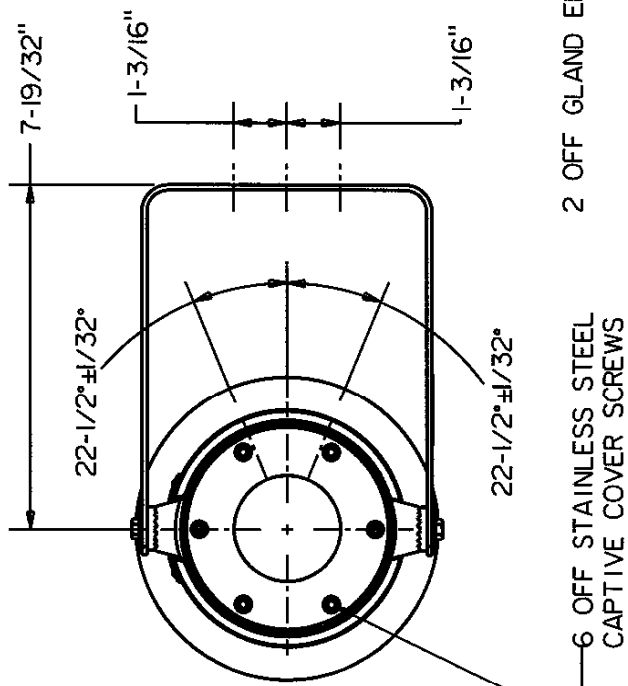


DO NOT SCALE



1. TYPE: DB3
2. UL LISTING NO. E203310, CLASS I, DIV. 2 GROUPS A,B,C,D  
AMBIENT TEMP. -67°F TO +131°F
3. WEIGHT:- 8.8 LBS APPROX.
4. MATERIAL:- GLASS REINFORCED POLYESTER
5. IDENTITY/ TAG LABELS LETTER SIZE 3/16" MAX
6. TERMINALS SUITABLE FOR UP TO 14 AWG
7. UP TO 2 OFF 1/2" NPT ENTRIES AVAILABLE
8. UL LISTED SEALANT TO BE APPLIED TO ALL GLANDS  
& BLANKING PLUGS
9. GENERAL TOLERANCE ±3/32"



MEDC Colliery Road, Plyton, Designers & Manufacturers  
Worthington, NG16 6JF, U.K.  
Tel: +44 (0)1773 812249  
Fax: +44 (0)1773 586282  
EQUIPMENT & SYSTEMS FOR  
HAZARDOUS AREAS

THIS DRAWING IS CONFIDENTIAL AND IS THE PROPERTY OF MEDC AND MUST NOT BE REPRODUCED EITHER WHOLLY OR PARTLY. ALL RIGHTS IN RESPECT OF PATENTS, DESIGNS AND COPYRIGHT ARE RESERVED	ALL DIMENSIONS ARE IN MILLIMETRES UNLESS OTHERWISE STATED	REMOVE ALL BURRS AND SHARP CORNERS	MACHINE SYMBOLS THUS <input checked="" type="checkbox"/>	DRAWN BY: <b>M. SELDEN</b>	DATE: <b>14/08/00</b>	TITLE <b>CUSTOMER GA          DB3 &amp; DB3L          SOUNDERS</b>
	CHECKED BY: <b>G. HODGKINSON</b>	DATE: <b>14/08/00</b>	APPROVED BY: <b>M. SELDEN</b>	DATE: <b>14/08/00</b>		
	SCALE: <b>NTS</b>	SIZE: <b>A4</b>	DRG No. <b>219-274</b>	ISSUE <b>A</b>		
	ISSUES					