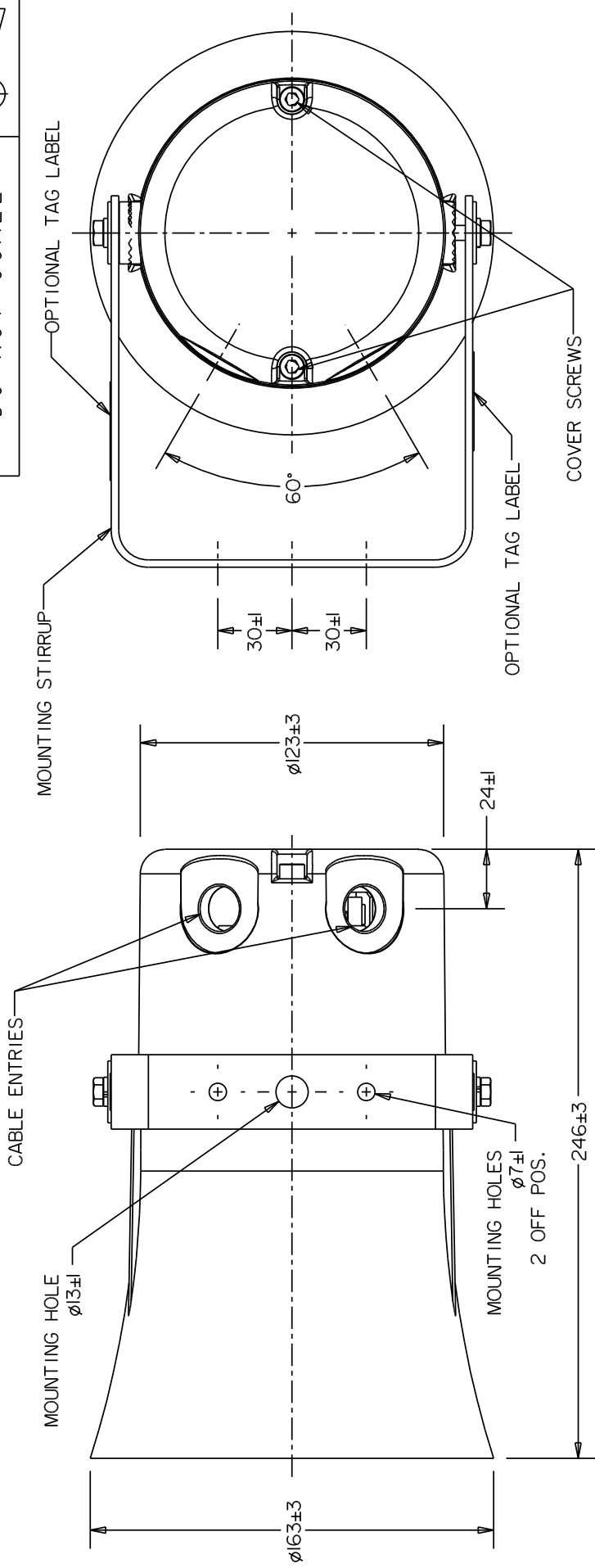
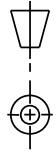


DO NOT SCALE



1. TYPE: 15W LOUDSPEAKER
2. AMBIENT TEMPERATURE:  $-55^\circ\text{C}$  TO  $+55^\circ\text{C}$
3. WEIGHT:  $2.6\text{KG} \pm 0.3$
4. MATERIAL: GRP BODY & STAINLESS STEEL FIXINGS
5. TAG LABEL LETTER SIZE: 5 MAX.
6. TERMINALS:  $8 \times 2.5\text{mm}^2$
7. CABLE ENTRIES: MAX. 2 OFF M20
8. OPTIONS: PAINT FINISH



MEDC Ltd, Colliery Road, Pinxton  
 Nottingham NG16 6JF, U.K.  
 Tel: +44 (0)1773 864100  
 Fax: +44 (0)1773 582800  
 e-mail: info@medc.com web: www.medc.com

DESIGNERS & MANUFACTURERS  
 OF ELECTRICAL & ELECTRONIC  
 EQUIPMENT & SYSTEMS FOR  
 HAZARDOUS AREAS

ISSUES	THIS DRAWING IS CONFIDENTIAL AND IS THE PROPERTY OF MEDC AND MUST NOT BE REPRODUCED EITHER WHOLLY OR PARTLY. ALL RIGHTS IN RESPECT OF PATENTS, DESIGNS AND COPYRIGHT ARE RESERVED		DATE: 03/07/02	TITLE
	ALL DIMENSIONS ARE IN MILLIMETRES UNLESS OTHERWISE STATED	REMOVE ALL BURRS AND SHARP CORNERS	DATE: 04/07/02	STANDARD CUSTOMER GA
	MACHINE SYMBOLS THIS <input checked="" type="checkbox"/>		DATE: 04/07/02	DB18 LOUDSPEAKER
			DATE: 04/07/02	DRG No. 275-109
		SCALE: 2:5	SIZE: A4	ISSUE A