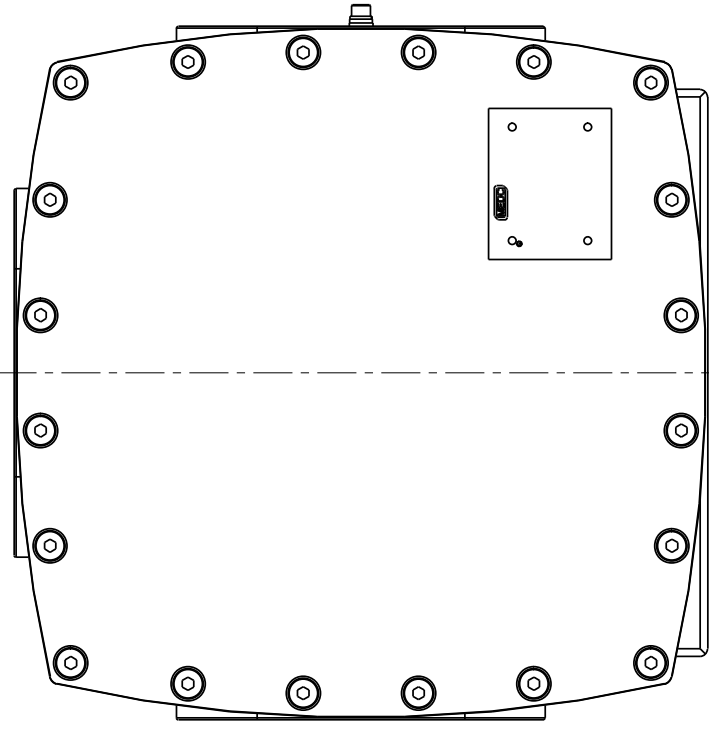


222-170

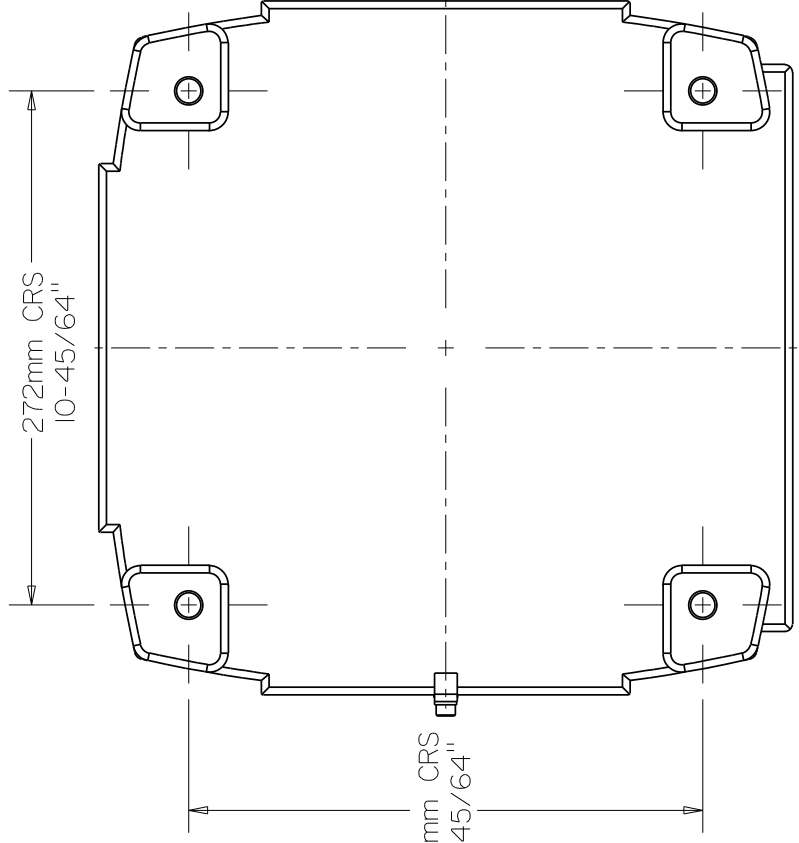
DO NOT SCALE



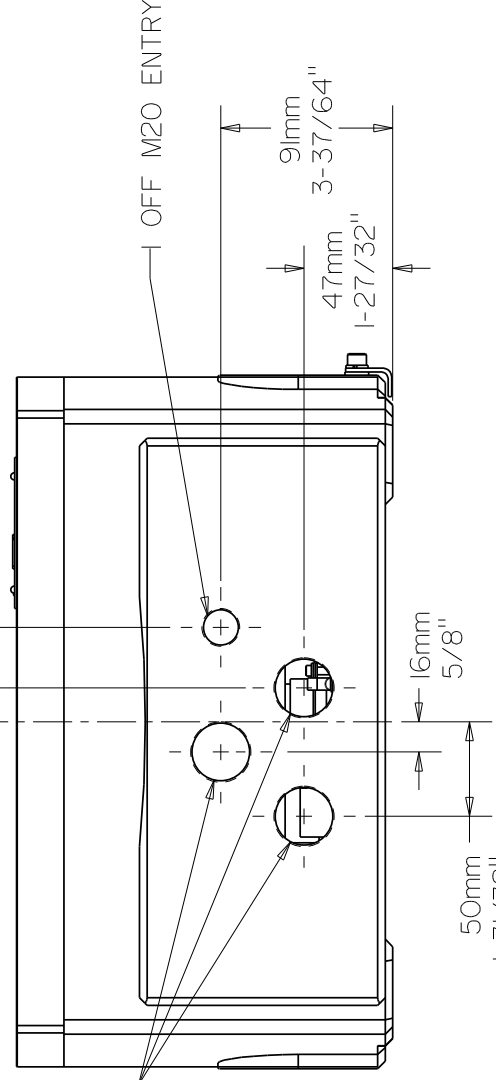
A B C D E F



FRONT



MOUNTING HOLES



3 OFF M32 ENTRIES

BOTTOM

NOTES:
1. CABLE ENTRIES ARE SPOTFACED TO A DEPTH OF 3mm MAX. TO THE FOLLOWING DIAMETERS:

ENTRY SIZE	SPOTFACE ϕ
M20	44 \pm 0.5
M32	55 \pm 0.5



MEDCO Ltd, Colliery Road, Pinxton
Nottingham NG16 6JF, U.K.
Tel: +44 (0)1773 864100
Fax: +44 (0)1773 582800
e-mail: info@medco.com web: www.medco.com

DESIGNERS & MANUFACTURERS
OF ELECTRICAL & ELECTRONIC
EQUIPMENT & SYSTEMS FOR
HAZARDOUS AREAS

DRAWN BY: P.FISHWICK	DATE: 12/03/04	TITLE CUSTOMER GA	SHT 1
CHECKED BY: B.TAYLOR	DATE: 12/03/04	P.A INTERCOM STATION	OF
APPROVED BY: P.FISHWICK	DATE: 12/03/04	670-801EX	
SCALE: 1:4	SIZE: A3	3xM32 & 1xM20 ENTRIES POC 222124	1
	DRG No.	222-170	ISSUE A

THIS DRAWING IS CONFIDENTIAL
AND IS THE PROPERTY OF MEDCO
AND MUST NOT BE REPRODUCED
EITHER WHOLLY OR PARTLY.
ALL RIGHTS IN RESPECT OF
PATENTS, DESIGNS AND
COPYRIGHT ARE RESERVED.

ALL DIMENSIONS ARE
IN MILLIMETRES UNLESS
OTHERWISE STATED

REMOVE ALL BURRS
AND SHARP CORNERS

MACHINE
SYMBOLS THUS

GENERAL TOLERANCES
UNLESS OTHERWISE STATED

± 0.25

$\pm 0.5^\circ$

3.2

ISSUES

4

2

3