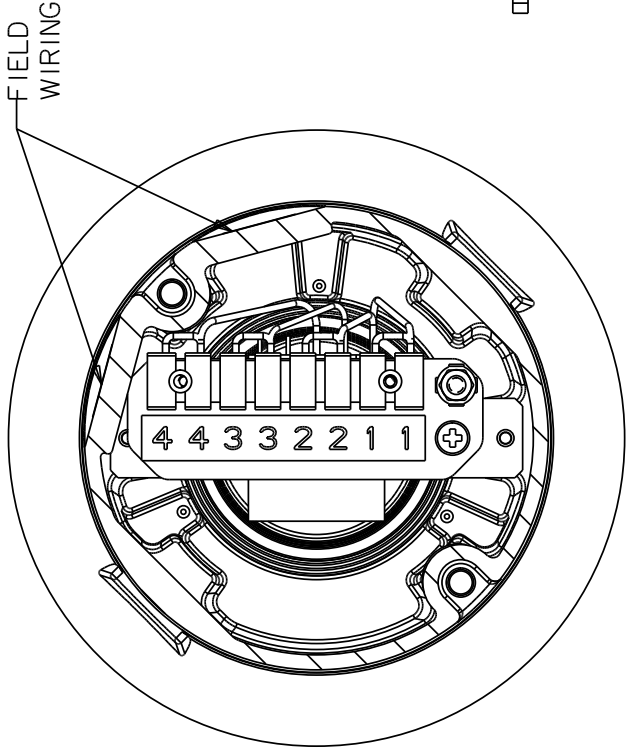


CELL BOOK H x 2

**CURRENT PRODUCTION COPY**

TRANSFORMER TAPPINGS	15 WATT TRANSFORMER
1 & 2	15.0W
2 & 3	7.5W
3 & 4	5.0W
1 & 3	4.0W
2 & 4	2.0W
1 & 4	0.8W

DO NOT SCALE



BLACK CABLE CONNECTED TO DRIVER  
SOLDER TAG WITH ADJACENT - SIGN  $\diamond$

CABLE CONNECTED TO DRIVER  
SOLDER TAG WITH ADJACENT + SIGN  $\diamond$

- NOTES:
1. TRANSFORMER WIRING COLOUR: RED UOS
  2. NUMBERS ON TERMINAL LABEL ARE IN PAIRS TO FACILITATE LOOP-IN LOOP-OUT OPTION. (TERMINALS ARE LINKED VIA HARDWIRED CONNECTIONS)



MEDC Ltd, Colliery Road, Pinxton  
Nottingham NG16 6JF, U.K.  
Tel: +44 (0)1773 864100  
Fax: +44 (0)1773 582800  
e-mail: info@medc.com web: www.medc.com

DESIGNERS & MANUFACTURERS  
OF ELECTRICAL & ELECTRONIC  
EQUIPMENT & SYSTEMS FOR  
HAZARDOUS AREAS

ISSUES B. 27/08/02 PF	THIS DRAWING IS CONFIDENTIAL AND IS THE PROPERTY OF MEDC AND MUST NOT BE REPRODUCED EITHER WHOLLY OR PARTLY. ALL RIGHTS IN RESPECT OF PATENTS, DESIGNS AND COPYRIGHT ARE RESERVED		DATE: 07/05/02	TITLE
	ALL DIMENSIONS ARE IN MILLIMETRES UNLESS OTHERWISE STATED	REMOVE ALL BURRS AND SHARP CORNERS	DATE: 07/05/02	WIRING DIAGRAM
	MACHINE SYMBOLS THIS $\nabla$		DATE: 07/05/02	4-WIRE LOOP-IN LOOP-OUT
			DATE: 07/05/02	15W TRANSFORMER
			SCALE: N.T.S	DB18 SPEAKER
			SIZE: A4	DRG No. 275-102
				ISSUE B