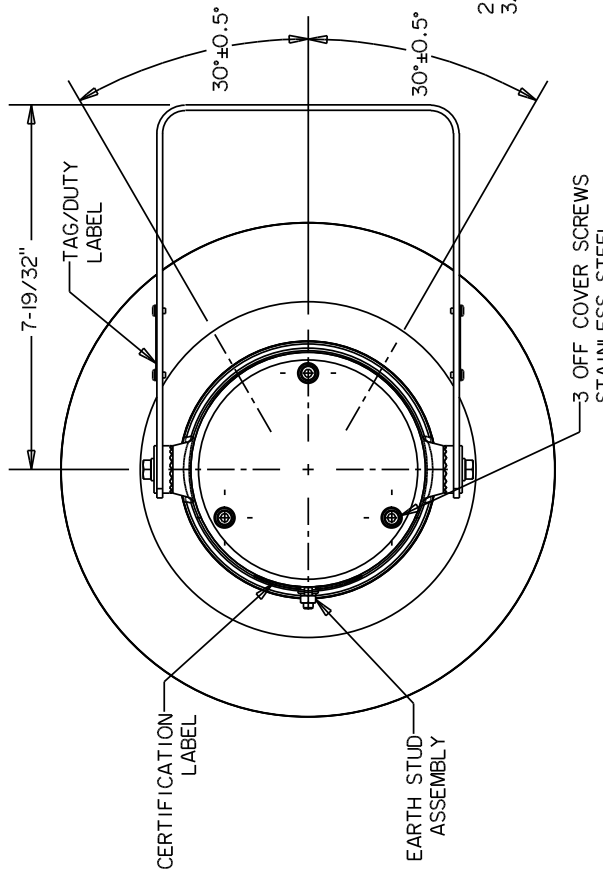
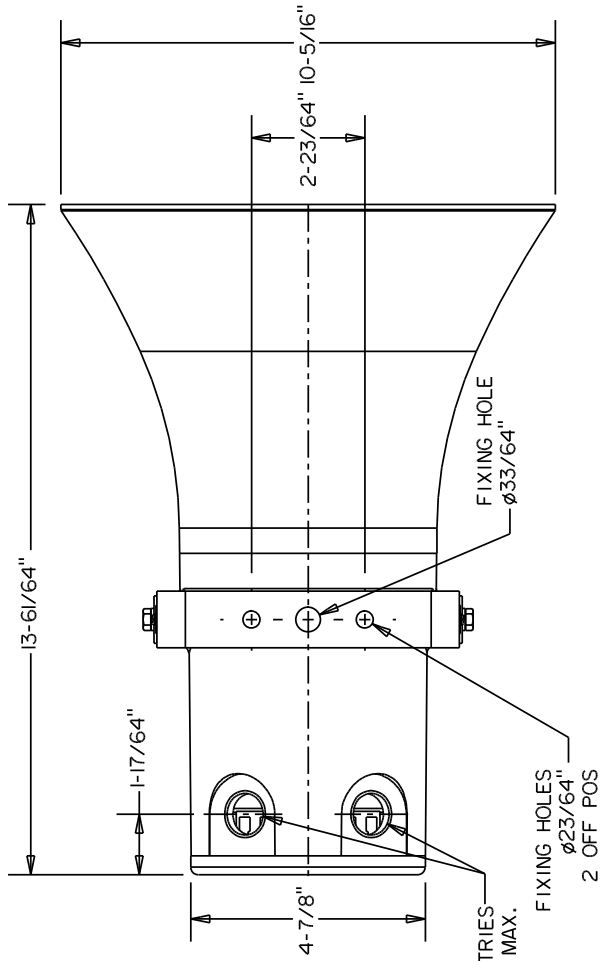



DO NOT SCALE




1. TYPE DB16 LOUDSPEAKER
2. UL LISTING:-
HAZARDOUS LOCATIONS:-
IIB UNIT
CLASS 1, DIV. 2, GROUPS C and D
CLASS 1, ZONE 1, AExd IIB T3
IIC UNIT
CLASS 1, DIV. 2, GROUPS A,B,C and D
CLASS 1, ZONE 1, AExd IIC T4
UL LISTING No E203310
ORDINARY LOCATIONS
UL LISTING No S8847
3. WEIGHT:- 30W - 12 LBS APPROX.
80HM - 11.5 LBS APPROX
4. MATERIAL:- GLASS REINFORCED POLYESTER
5. OPTIONAL DUTY LABEL. LETTER SIZE 3/16" MAX.
6. OPTIONAL TAG LABEL. LETTER SIZE 3/16" MAX.
7. TERMINALS SUITABLE FOR UP TO 14AWG CABLE



MEDC Ltd, Colliery Road, Pinxton
Nottingham NG16 6JF, U.K.
Tel: +44 (0)1773 864100
Fax: +44 (0)1773 582800
e-mail: info@medc.com web: www.medc.com

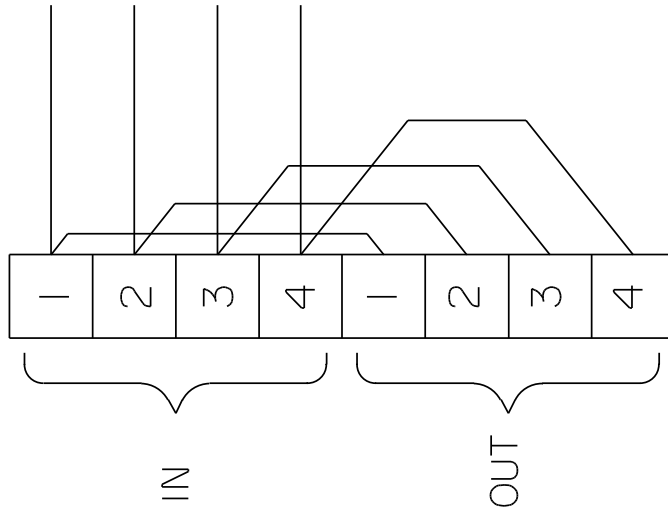
DESIGNERS & MANUFACTURERS
OF ELECTRICAL & ELECTRONIC
EQUIPMENT & SYSTEMS FOR
HAZARDOUS AREAS

ISSUES	THIS DRAWING IS CONFIDENTIAL AND IS THE PROPERTY OF MEDC AND MUST NOT BE REPRODUCED EITHER WHOLLY OR PARTLY. ALL RIGHTS IN RESPECT OF PATENTS, DESIGNS AND COPYRIGHT ARE RESERVED		DATE: 25/06/03	TITLE
	ALL DIMENSIONS ARE IN MILLIMETRES UNLESS OTHERWISE STATED	REMOVE ALL BURRS AND SHARP CORNERS	DATE: 28-06-04	DB16 UL CUSTOMER GA
	MACHINE SYMBOLS THIS 		DATE: 28-06-04	
			DATE: 28-06-04	DRG No. 286-118
		SCALE: 1:4	SIZE: A4	
		CHECKED BY: M.SLACK.	APPROVED BY: P.OATES.	
		APPROVED BY: P.OATES.	DATE: 28-06-04	
		DATE: 25/06/03	DATE: 28-06-04	
		DATE: 28-06-04	DATE: 28-06-04	
		DATE: 28-06-04	DATE: 28-06-04	

DO NOT SCALE



100V LINE VERSION



TERMINALS	POWER
1:2	30W
2:3	25W
3:4	12W
1:3	6W
2:4	4W
1:4	2W

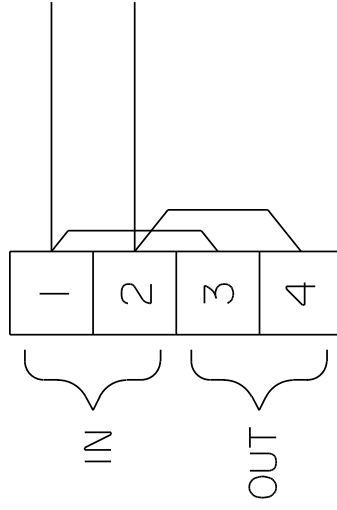
ALL DIMENSIONS ARE IN MILLIMETRES UNLESS OTHERWISE STATED

REMOVE ALL BURRS AND SHARP CORNERS

MACHINE SYMBOLS THIS

THIS DRAWING IS CONFIDENTIAL AND IS THE PROPERTY OF MEDC AND MUST NOT BE REPRODUCED EITHER WHOLLY OR PARTLY. ALL RIGHTS IN RESPECT OF PATENTS, DESIGNS AND COPYRIGHT ARE RESERVED

80hm VERSION



TERMINAL	DRIVER TERMINAL
1 + 3	+VE
2 + 4	-VE



MEDC Ltd, Colliery Road, Pinxton
 Nottingham NG16 6JF, U.K.
 Tel: +44 (0)1773 864100
 Fax: +44 (0)1773 582800
 e-mail: info@medc.com web: www.medc.com

DESIGNERS & MANUFACTURERS
 OF ELECTRICAL & ELECTRONIC
 EQUIPMENT & SYSTEMS FOR
 HAZARDOUS AREAS

TITLE

DRAWN BY: P.FISHWICK
 DATE: 14/01/03

CHECKED BY: M.SLACK
 DATE: 14/01/03

APPROVED BY: P.FISHWICK
 DATE: 14/01/03

SCALE: N.T.S
 SIZE: A4

DB16 100V / 80HM
 WIRING DIAGRAM

DRG No. 286-113

ISSUE A

ISSUES