



ISO9001 Certified

MEDC Ltd
Colliery Road,
Pinxton,
Nottingham,
NG16 6JF
United Kingdom

Tel: +44 (0) 1773 864100
Fax: +44 (0) 1773 582800
E-mail: sales@medc.com
Web-site: www.medc.com

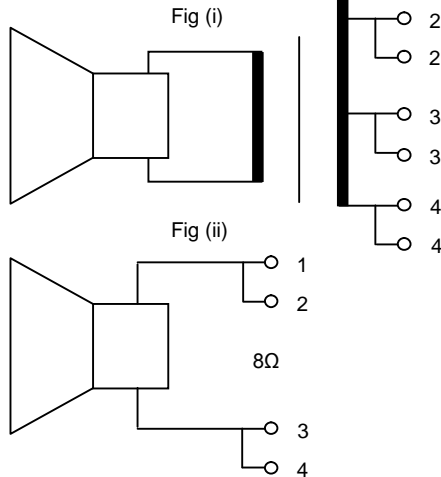
MEDC International
Houston USA
MEDC Norway
Stavange Norway

Phone: +1 (713) 937 9772 Fax: +1 (713) 937 9773 E-Mail: us.sales@medcint.com
Phone: +47 51 82 98 98 Fax: +47 51 82 98 91 E-Mail: norway.sales@medc.com

DB16 Range

Wiring Details

Transformer Tappings Options:



Transformer Options:

- i) Fig. 1) Loop in/loop out (4 x 2) power tap change; 8 terminals.
- ii) Fig. 2) Loop in/loop out (2 x 2) 8 ohm; 4 terminals.

Transformer Tappings	Power W
1:2	30
2:3	25
3:4	12
1:3	6
2:4	4
1:4	2

Installation & Maintenance guidelines:

- Refer to technical manual enclosed with unit for further detailed instructions.
- When installing and operating explosion-protected equipment, requirements for selection, installation and operation should be referred to e.g. IEE Wiring Regulations and the 'National Electrical Code' in North America. Additional national and/or local requirements may apply.
- Ensure that all nuts, bolts and fixings are secure.
- Ensure that only the correct listed or certified stopping plugs are used to blank off unused gland entry points and that the NEMA/IP rating of the unit is maintained.
- The DB16 is mounted via 2 off Ø7mm (Ø 0.28") fixing holes in the 'U' shaped stirrup/mounting bracket. If required, the unit can be initially placed via the Ø13mm (Ø 0.51") central hole in the stirrup. The unit can then be rotated to the required position and fixed via the other holes.
- The fixing holes have been designed to accept an M6 screw or bolt. MEDC recommend the use of stainless steel screws.
- The DB16 should be positioned such that debris, dust or water cannot settle in the re-entrant horn.
- During the working life of the unit, it should require little or no maintenance. However, if abnormal or unusual environmental conditions occur due to plant damage or accident etc., then visual inspection is recommended.
- If a unit fault should occur, then the unit can be repaired by MEDC. All parts of the unit are replaceable.
- If you acquired a significant quantity of units, then it is recommended that spares are also made available. Please discuss your requirements with the Technical Sales Engineers at MEDC.