

DO NOT SCALE

STAINLESS STEEL STIRRUP WITH INTEGRAL RATCHET

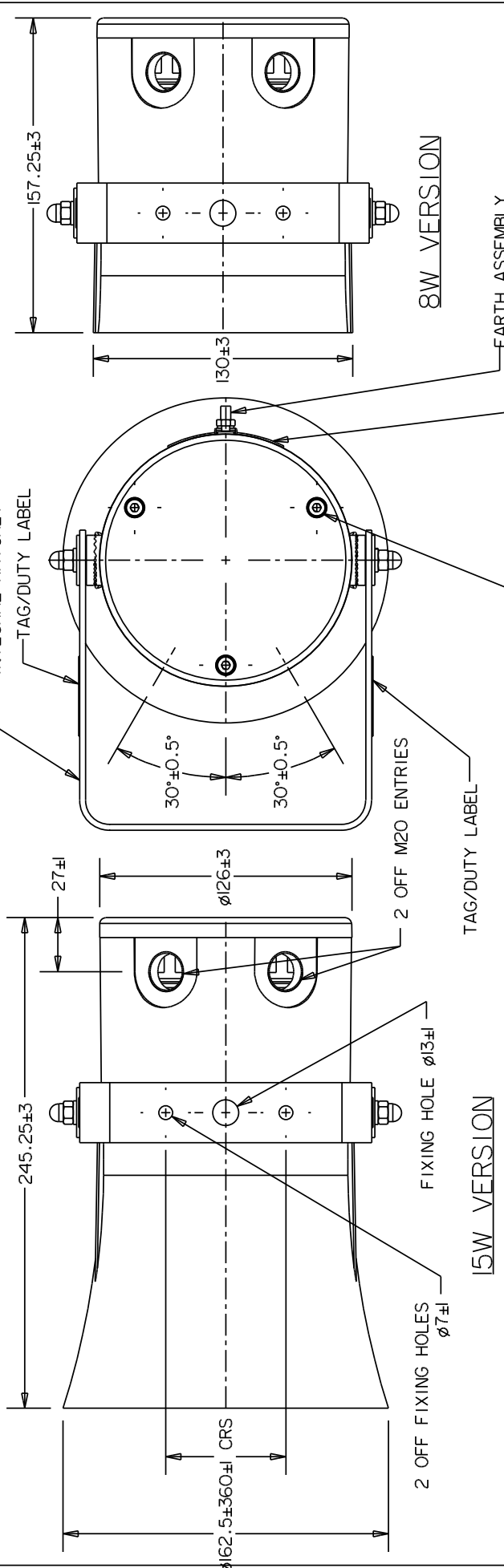
TAG/DUTY LABEL

15W VERSION

157.25±3

130±3

8W VERSION

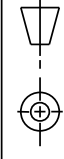


1. TYPE DBIO LOUDSPEAKER
2. CERTIFICATION: ATEX II 2 G EEx de IIB + H<sub>2</sub>  
T6 (-55°C TO +40°C)  
T5 (-55°C TO +55°C)
3. WEIGHT: 3.0 KG ± 0.3KG (15W VERSION)  
2.5 KG ± 0.3KG (8W VERSION)  
2.75 KG ± 0.3KG (80HM VERSION)
4. MATERIAL: GLASS REINFORCED POLYESTER
5. OPTIONAL DUTY LABEL, LETTER SIZE 5 MAX.
6. OPTIONAL TAG LABEL, LETTER SIZE 5 MAX.
7. TERMINALS SUITABLE FOR UP TO 2.5mm<sup>2</sup> CABLE

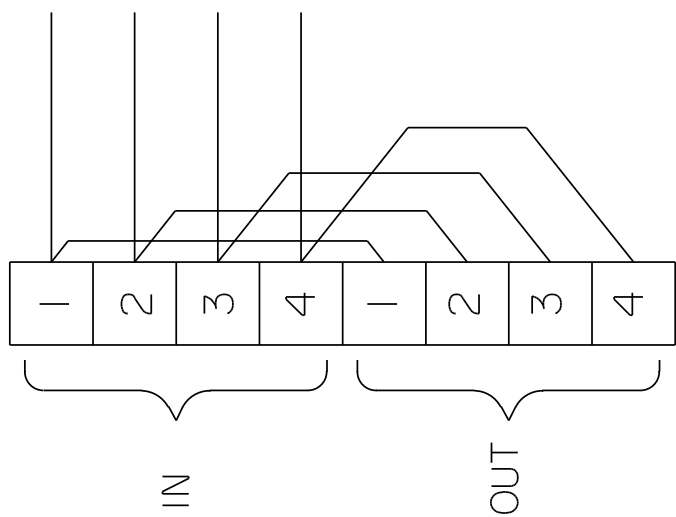
**MEDC** MEDC Ltd, Colliery Road, Pinxton  
Nottingham NG16 6JF, U.K.  
Tel: +44 (0)1773 864100  
Fax: +44 (0)1773 582800  
e-mail: info@medc.com web: www.medc.com

DESIGNERS & MANUFACTURERS OF ELECTRICAL & ELECTRONIC EQUIPMENT & SYSTEMS FOR HAZARDOUS AREAS

ISSUES C. 13/09/02 RF C. 10/10/02 RF	THIS DRAWING IS CONFIDENTIAL AND IS THE PROPERTY OF MEDC AND MUST NOT BE REPRODUCED EITHER WHOLLY OR PARTLY. ALL RIGHTS IN RESPECT OF PATENTS, DESIGNS AND COPYRIGHT ARE RESERVED	DATE: 27/02/02	TITLE	
	ALL DIMENSIONS ARE IN MILLIMETRES UNLESS OTHERWISE STATED	DRAWN BY: M. SELDEN	CHECKED BY: P. FISHWICK	CUSTOMER GA DBIO LOUDSPEAKER
	REMOVE ALL BURRS AND SHARP CORNERS	APPROVED BY: M. SELDEN	DATE: 27/02/02	DRG No. 253-114
	MACHINE SYMBOLS THIS	SCALE: NTS	SIZE: A4	ISSUE C



DO NOT SCALE



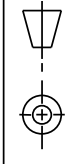
TERMINALS	POWER	
	15W	8W
1:2	15.0W	8.0W
2:3	7.5W	4.0W
3:4	5.0W	2.0W
1:3	4.0W	1.5W
2:4	2.0W	0.7W
1:4	0.8W	0.4W



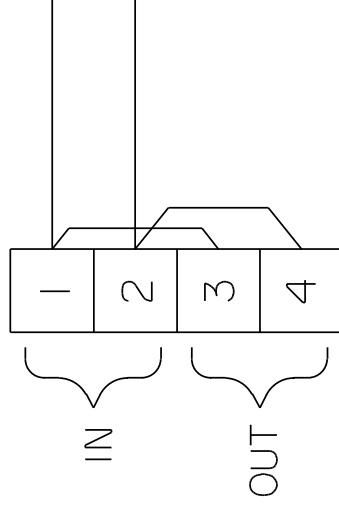
MEDC Ltd, Colliery Road, Pinxton  
 Nottingham NG16 6JF, U.K.  
 Tel: +44 (0)1773 864100  
 Fax: +44 (0)1773 582800  
 e-mail: [info@medc.com](mailto:info@medc.com) web: [www.medc.com](http://www.medc.com)

DESIGNERS & MANUFACTURERS  
 OF ELECTRICAL & ELECTRONIC  
 EQUIPMENT & SYSTEMS FOR  
 HAZARDOUS AREAS

ISSUES B. 18/09/02 PF	THIS DRAWING IS CONFIDENTIAL AND IS THE PROPERTY OF MEDC AND MUST NOT BE REPRODUCED EITHER WHOLLY OR PARTLY. ALL RIGHTS IN RESPECT OF PATENTS, DESIGNS AND COPYRIGHT ARE RESERVED		DRAWN BY: P.FISHWICK CHECKED BY: D.HAGIN APPROVED BY: P.FISHWICK SCALE: N.T.S	DATE: 23/05/02 DATE: 23/05/02 DATE: 23/05/02 SIZE: A4	TITLE DBIO 8W / 15W WIRING DIAGRAM	DRG No. 253-112 ISSUE B
	ALL DIMENSIONS ARE IN MILLIMETRES UNLESS OTHERWISE STATED REMOVE ALL BURRS AND SHARP CORNERS MACHINE SYMBOLS THIS <input checked="" type="checkbox"/>					



DO NOT SCALE



TERMINAL	DRIVER TERMINAL
1 & 3	+
2 & 4	-



MEDC Ltd, Colliery Road, Pinxton  
 Nottingham NG16 6JF, U.K.  
 Tel: +44 (0)1773 864100  
 Fax: +44 (0)1773 582800  
 e-mail: info@medc.com web: www.medc.com

DESIGNERS & MANUFACTURERS  
 OF ELECTRICAL & ELECTRONIC  
 EQUIPMENT & SYSTEMS FOR  
 HAZARDOUS AREAS

ISSUES B. 25/06/03 PF	ALL DIMENSIONS ARE IN MILLIMETRES UNLESS OTHERWISE STATED	THIS DRAWING IS CONFIDENTIAL AND IS THE PROPERTY OF MEDC AND MUST NOT BE REPRODUCED EITHER WHOLLY OR PARTLY. ALL RIGHTS IN RESPECT OF PATENTS, DESIGNS AND COPYRIGHT ARE RESERVED	DATE: 13/09/02	TITLE
	REMOVE ALL BURRS AND SHARP CORNERS		DATE: 13/09/02	DBIO 80HM WIRING DIAGRAM
MACHINE SYMBOLS THIS <input checked="" type="checkbox"/>			DATE: 13/09/02	
			SIZE: A4	DRG No. 253-121
			SCALE: N.T.S.	ISSUE B