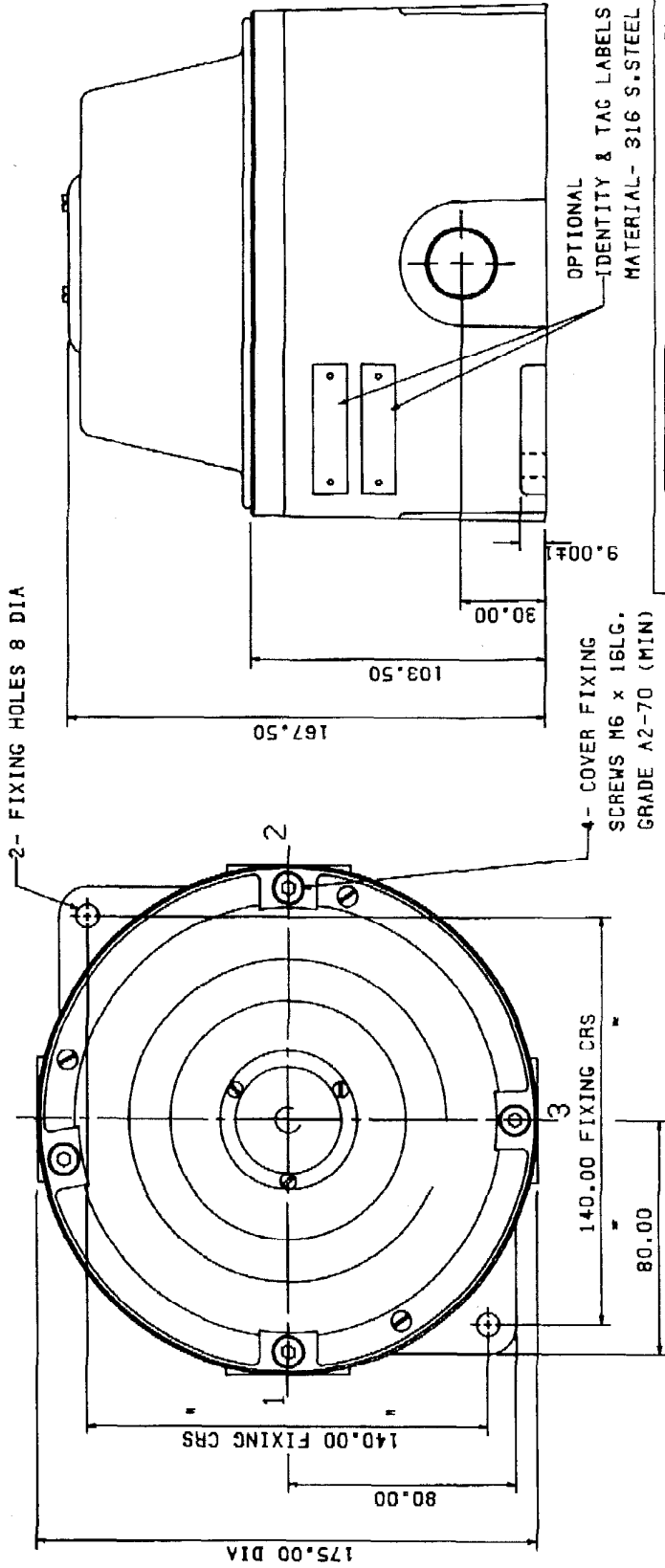


DO NOT SCALE

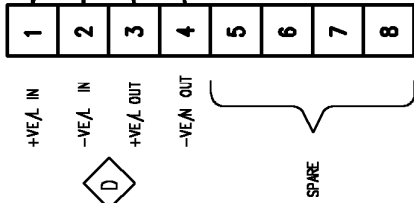
- 1/ TYPE DB1
- 2/ CE: JFICATION No. BASEEFA Ex90Y1467 Exed 11BT4
- 3/ WEIGHT 3.5±0.2 kg (ALUMINIUM) & 8.3±0.2 kg (S.STEEL).
- 4/ MATERIAL :- BODY & LID - ALUMINIUM GRADE LM25TF TO BS 1490:1988 OR STAINLESS STEEL GRADE 316/ANC 4B TO BS 3146:1975. RE-ENTRANT HORN - POLYCARBONATE.
- 5/ IDENTITY/TAG LABELS LETTER SIZE 5mm MAX
- 6/ TERMINALS SUITABLE FOR UP TO 2.5mm SQ CABLE
- 7/ CABLE ENTRIES AVAILABLE AT "1" "2" "3"
- 8/ HYLOHAR PL32 SEALANT APPLIED TO ALL CERTIFIED BLANKING PLUGS



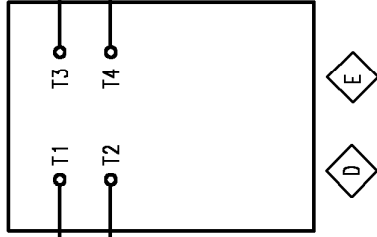
MEDC Colliery Road, Pinxton,
Nottingham NG16 6JF, U.K.
Tel: Ripley (0773) 812449
Fax: (0773) 580282

ISSUES		B 1-12-92 CP		REPLOTTED	
WELDING TERMS & SYMBOLS TO BS 499 PART 2		MACHINE SYMBOLS THUS ∇ μ m		THIS DRAWING IS CONFIDENTIAL AND IS THE PROPERTY OF MEDC AND WILL NOT BE REPRODUCED OR USED IN ANY MANNER WITHOUT THE WRITTEN CONSENT OF MEDC. PARTLY ALL RIGHTS IN RESPECT OF PATENTS DESIGNS AND COPYRIGHT ARE RESERVED.	
CARBON STEEL TO BE WELDED IN ACCORDANCE WITH BS 5135		REMOVE ALL BURRS AND SHARP EDGES IN ACCORDANCE WITH BS 3019 PT 2 - 1960		SCALE 1	
STAINLESS STEEL TO BE WELDED IN ACCORDANCE WITH BS 3019		TOLERANCES GEN. MC OR CRS ± 0.5 ± 0.3		DRN. CF 20/92	
WELDS TO BE FREE FROM SLAG & SPLATTER		GEN. MC OR CRS ± 0.5 ± 0.3		C.H.D. SM -1-	
METRIC DIMENSIONS SIZE ONLY (U.O.S.)		TITLE DB1 GENERAL ARRANGEMENT.		APD SM -1-	
A4		DRG NO S/050-01-02		ISSUE B	

1. STANDARD



MAIN PCB (PC066)

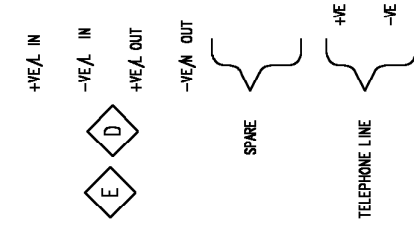


WARNING
 THIS DRAWING RELATES
 TO A CERTIFIED PRODUCT.
 NO MODIFICATIONS
 PERMITTED WITHOUT
 THE AUTHORISATION OF
 THE TECHNICAL MANAGER

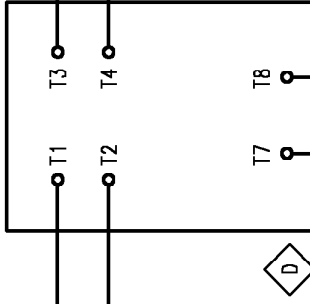
DO NOT SCALE



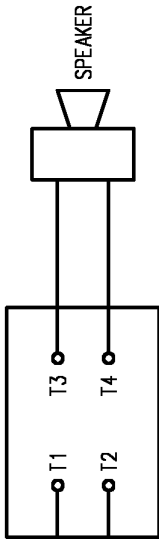
2. WITH TELEPHONE INTERFACE



TELEPHONE INTERFACE PCB (PC205)



MAIN PCB (PC066)



PRODUCTION COPY

CELL NO. J



MEDC, Colliery Road, Pinxton,
 Nottingham NG16 6JF, U.K.
 Tel: +44 (0)1773 812249
 Fax: +44 (0)1773 580282

DESIGNERS & MANUFACTURERS
 OF ELECTRICAL & ELECTRONIC
 EQUIPMENT & SYSTEMS FOR
 HAZARDOUS AREAS

ISSUES	D. 12-09-01 SH	E. 06-12-01 SH
--------	----------------	----------------

ALL DIMENSIONS ARE
 IN MILLIMETRES UNLESS
 OTHERWISE STATED
**REMOVE ALL BURRS
 AND SHARP EDGES**
 MACHINE
 SYMBOLS THRU μ m

THIS DRAWING IS CONFIDENTIAL
 AND IS THE PROPERTY OF MEDC
 AND MUST NOT BE REPRODUCED
 EITHER WHOLLY OR PARTLY
 ALL RIGHTS IN RESPECT OF
 PATENTS, DESIGNS AND
 COPYRIGHT ARE RESERVED.

DRAWN BY: F.G.	DATE: 18-9-89	TITLE DBI SOUNDER WIRING DIAGRAM
CHECKED BY: I.M.	DATE: 18-9-89	DRG No. 173-115
APPROVED BY: I.M.	DATE: 18-9-89	ISSUE E
SCALE:	SIZE A3	