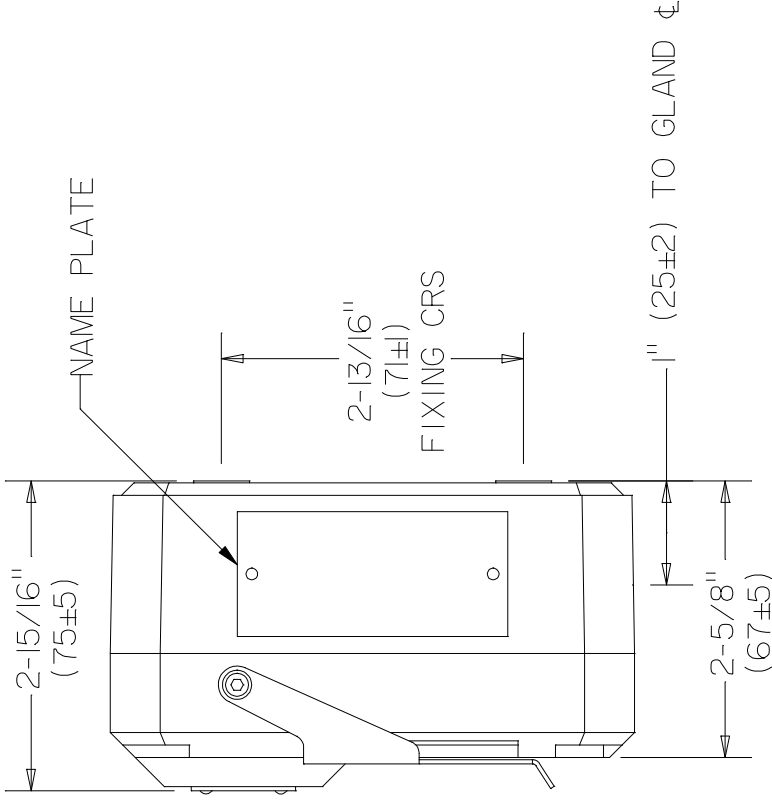
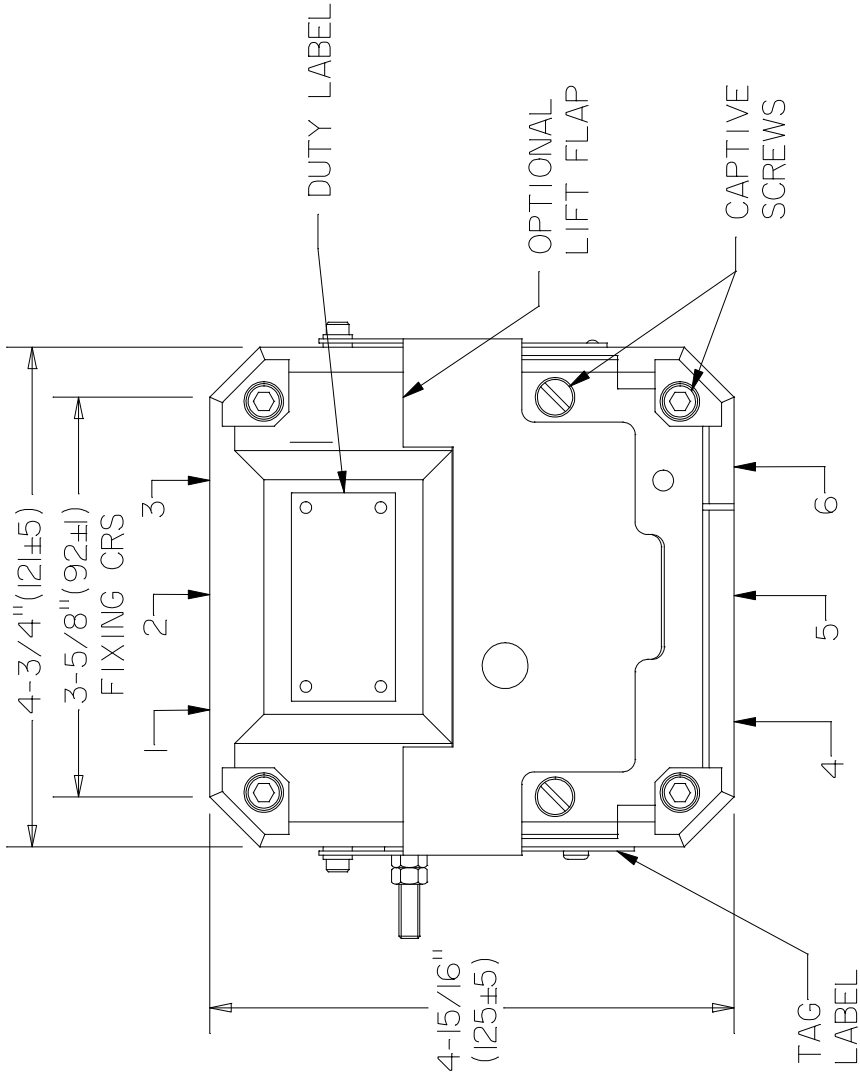
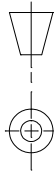
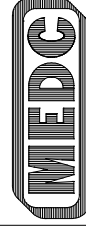


DO NOT SCALE



7. UP TO 4 OFF 1/2" NPT ENTRIES AVAILABLE
8. UL LISTED SEALANT TO BE APPLIED TO ALL GLANDS & BLANKING PLUGS.
9. GENERAL TOLERANCE 3/32"
10. FIXING HOLES  $\phi$ 3/16" ( $\phi$ 5±2) (4 OFF POS.)

1. TYPE: BG
2. UL LISTING NO. E186629, CLASS 1, DIV. 2, GROUPS A, B, C, D  
AMBIENT TEMP. -13°F TO +131°F (-25°C TO +55°C)
3. WEIGHT:- 2.6 LBS (1.2Kg) APPROX.
4. MATERIAL:- GLASS REINFORCED POLYESTER
5. IDENTITY/ TAG LABEL LETTER SIZE 3/16" (5±2) MAX.
6. TERMINALS SUITABLE FOR UPTO 14 AWG



MEDCO Ltd, Colliery Road, Pinxton  
Nottingham NG16 6JF, U.K.  
Tel: +44 (0)1773 864100  
Fax: +44 (0)1773 582800  
e-mail: info@medco.com web: www.medco.com

DESIGNERS & MANUFACTURERS  
OF ELECTRICAL & ELECTRONIC  
EQUIPMENT & SYSTEMS FOR  
HAZARDOUS AREAS

ISSUES	ALL DIMENSIONS ARE IN MILLIMETRES UNLESS OTHERWISE STATED  REMOVE ALL BURRS AND SHARP CORNERS  MACHINE SYMBOLS THUS	THIS DRAWING IS CONFIDENTIAL AND IS THE PROPERTY OF MEDCO AND MUST NOT BE REPRODUCED EITHER WHOLLY OR PARTLY. ALL RIGHTS IN RESPECT OF PATENTS, DESIGNS AND COPYRIGHT ARE RESERVED		
		DRAWN BY: M.SELDEN	DATE: 14/08/00	TITLE BG MANUAL CALL POINT CUSTOMER GA UL VERSION
# 08/01/01 MDS C 21/03/01 RF		CHECKED BY: G-HODGKINSON	DATE: 14/08/00	
		APPROVED BY: M.SELDEN	DATE: 14/08/00	
		SCALE: NTS	SIZE: A4	DRG No. 380-252
				ISSUE C