

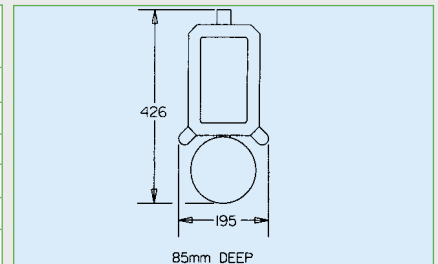
Sounders/Horns

DB6

109dB(A) Bell – Explosionproof



Certification	ATEX
Flameproof	ATEX Ex II 2G, EExd IIB T5
Certified Ambient Temperature	-20°C to +55°C
Ingress Protection	IP65
Material	Cast Iron
Entries	2 x 20mm
Weight	11kg
Options: Body colour, tag labels, voltages 24V d.c., 240V a.c.	



Standard models. Available ex-stock.

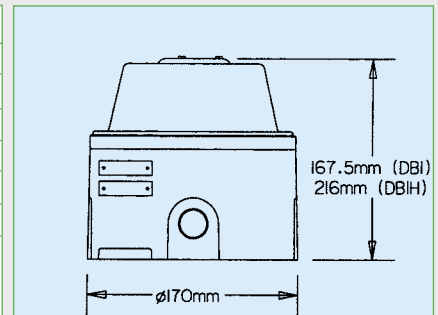
Certification	Voltage	Body Colour	Ordering Code	Standard Product Configuration
ATEX Ex II 2G	24V d.c.	Grey	806001	Standard models are in cast iron, no tag or duty labels, 2 x M20 entries.
ATEX Ex II 2G	24V d.c.	Red	806003	
ATEX Ex II 2G	240V a.c.	Grey	806002	
ATEX Ex II 2G	240V a.c.	Red	806004	

DB1

113dB(A) Sounder – Explosionproof



Certification	ATEX GOST 'R' SAA
Flameproof	ATEX Ex II 2G, EExd IIB T3
Certified Ambient Temperature	-20°C to +70°C
Ingress Protection	IP66
Material	Stainless steel or alloy
Entries	Up to 3 x 20mm or 25mm
Weight	3.5-12.7kg (model dependent)
Options: Body colour, tag & duty labels, two stage (DB1P) alarms, high output (DB1H & DB1HP), tel, relay or remote initiate, EOL resistor, certification, voltages 12-48V d.c., 110V a.c., 240V a.c.	



Standard model. Available ex-stock.

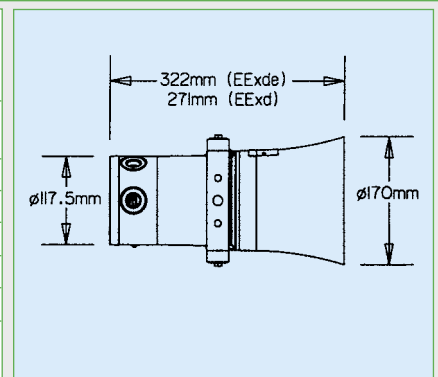
Certification	Ordering Code	Standard Product Configuration
ATEX Ex II 2G	801001	Standard model is single stage alarm, red painted alloy, no tag or duty labels, 2 x M20 entries, 24V d.c., 6 tones, 103dBA output.

DB3

118dB(A) Sounder – Explosionproof & Weatherproof



Certification	ATEX GOST 'R' & 'K', Chinese, SAA
Flameproof	ATEX Ex II 2GD, EExd(e) IIC T5
Certified Ambient Temperature	-20°C to +70°C (standard) -55°C to +55°C (low temp unit)
Ingress Protection	IP66 & 67
Material	Corrosion-free GRP
Entries	Up to 2 x 20mm
Weight	6.0kg
No. of Tones	27 + 5 programmable
Options: Body colour, tag & duty labels, two stage alarm (DB3P), low temperature version available, EOL resistor, certification, terminal chamber voltages 12-48V d.c., 110V-254V a.c.	



Standard models. Available ex-stock.

Certification	Body Colour	Alarm Type	Voltage	Ordering Code	Standard Product Configuration
ATEX Ex II 2GD	Natural Black	Two Stage	12-48V d.c.	803121	Standard model has 27 tones, no tag or duty labels, 2 x 20mm entries with one certified plug fitted.
ATEX Ex II 2GD	Red	Two Stage	12-48V d.c.	803123	
ATEX Ex II 2GD	Red	Single Stage	12-48V d.c.	803125	
ATEX Ex II 2GD	Natural Black	Single Stage	240V a.c.	803122	
ATEX Ex II 2GD	Red	Single Stage	240V a.c.	803124	

Sounders/Horns

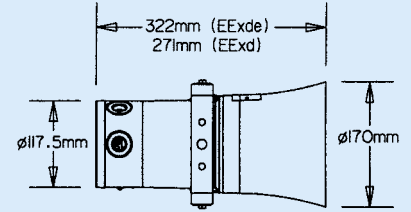
DB3V

110dB(A) Voice Sounder – Explosionproof



Certification	Ⓔ ATEX Ⓞ Ⓛ US GOST 'R' & 'K', Chinese, SAA
Flameproof	ATEX Ex II 2GD, EExd(e) IIC T5
Certified Ambient Temperature	-20°C to +55°C (standard) -55°C to +55°C (low temp unit)
Ingress Protection	IP66 & 67
Material	Corrosion-free GRP
Entries	Up to 2 x 20mm
Weight	6.0kg
Speech Duration	Up to 20 seconds repeatable

Options: Body colour, tag & duty labels, low temperature version available, EOL resistor, record feature, certification, terminal chamber, 'mechanical bell' sound version, voltages 12-48V d.c.



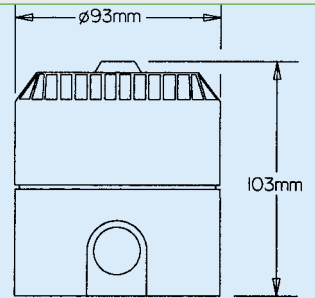
DB5

103dB(A) Sounder – Explosionproof



Certification	Ⓔ ATEX Ⓞ Ⓛ Ⓜ Ⓜ
Intrinsically Safe	ATEX Ex II 1G & Ex I M1, EExia IIC T4
Certified Ambient Temperature	-20°C to +55°C
Ingress Protection	IP65
Material	Corrosion-free ABS
Entries	Up to 2 x 20mm via knockouts
Weight	0.3kg
No. of Tones	26

Options: Body colour, tag labels, certification, voltages 12V-24V d.c.



Standard models. Available ex-stock.

Certification	Voltage	Ordering Code	Standard Product Configuration
ATEX Ex II 1G	12V d.c.	805001	Standard model has 26 tones, natural red body colour, no tag or duty labels, 3 x 20mm entries via knockouts.
ATEX Ex II 1G	24V d.c.	805002	

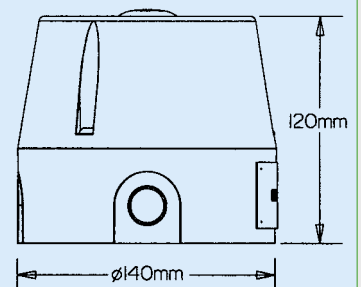
DB7

110dB(A) Sounder – Explosionproof



Certification	Ⓔ ATEX GOST 'R'
Intrinsically Safe	ATEX Ex II 1G, EExia IIB/IIC T4
Certified Ambient Temperature	-55°C to +70°C
Ingress Protection	IP66 & 67
Material	Corrosion-free GRP
Entries	Up to 3 x 20mm via knockouts
Weight	1.0kg
No. of Tones	27

Options: Certification, body colour, duty & tag labels, voltages 12-24V d.c.



Standard models. Available ex-stock.

Certification	Voltage	Ordering Code	Standard Product Configuration
ATEX Ex II 1G	24V d.c.	807006	Standard model is a two stage alarm (DB7P), has 27 tones, natural red body, up to 3 x 20mm entries via knockouts.

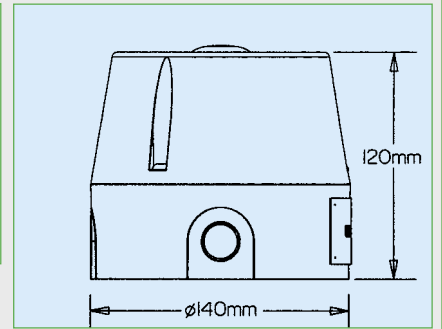
Sounders/Horns

DB12

110dB(A) Sounder – Weatherproof & Heavy Duty



Operating Temperature	-55°C to +70°C
Ingress Protection	IP66 & 67
Material	Corrosion-free GRP
Entries	Up to 3 x 20mm via knockouts
Weight	1kg
No. of Tones	27 + 5 programmable
Options: Body colour, tag & duty labels, voltages 12V & 24V d.c.	



Standard models. Available ex-stock.

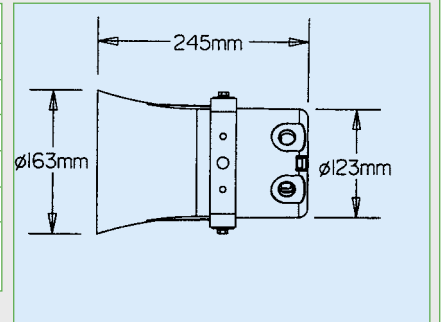
Voltage	Alarm Type	Ordering Code	Standard Product Configuration
24V d.c.	Two Stage	808001	Standard model has 27 tones, natural red body colour, no tag or duty labels, 3 x 20mm entries via knockouts.
115/230V a.c.	Single Stage	808003	

DB15

117dB(A) Sounder – Weatherproof & Heavy Duty



Operating Temperature	-55°C to +70°C
Ingress Protection	IP66 & 67
Material	Corrosion-free GRP
Entries	2 x 20mm
Weight	2.6kg
No. of Tones	27 + 5 programmable
Options: Body colour, tag & duty labels, two stage alarm (DB15P) version, earth continuity, EOL resistor, voltages 12-48V d.c., 110-254V a.c.	



Standard models. Available ex-stock.

Voltage	Body Colour	Alarm Type	Ordering Code	Standard Product Configuration
24-48V d.c.	Natural Grey to RAL 7035	Two stage	808110	Standard model has 27 tones, 2 x 20mm entries.
24-48V d.c.	Red	Two stage	808115	
240V a.c.	Natural Grey to RAL 7035	Single stage	808120	
240V a.c.	Red	Single stage	808125	

Beacon/Sounder Combination Units

Explosionproof & Heavy Duty Industrial & Marine



A range of combination units that can be constructed from MEDC sounders, beacons and other equipment.

For more information, download from www.medc.com, request data sheet 6DS104 or contact the sales office.

