

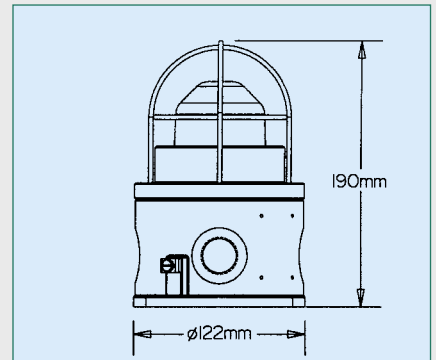
# Beacons/Strobes

## SM87 HXB

### 5 Joule Flashing Xenon – Explosionproof



Certification	⊕ ATEX ⊕ UL ⊕ GOST 'R' & 'K', Chinese
Flameproof	ATEX Ex II 2GD, EExd(e) IIC T6
Certified Ambient Temperature	-55°C to +70°C (EExd)
Ingress Protection	IP66 & 67
Material	Stainless Steel or Alloy
Entries	Up to 4 x 20mm or 25mm
Weight	3.8kg (Steel) or 2kg (Alloy)
Options: Body & lens colour, EOL resistor, tel. & relay initiate, certification, lens guard, tag & duty labels, flash rate, high temp. version (-40°C to +85°C) available, voltages 24-48V d.c., 110-254V a.c.	



#### Standard models. Available ex-stock.

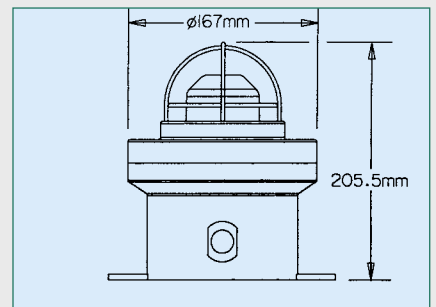
Certification	Voltage	Lens Colour	Ordering Code	Standard Product Configuration
ATEX Ex II 2G	24V d.c.	Red	813005	<b>Standard models are in alloy, red body, no tag or duty labels, 2 x M20 entries, 60 flashes per minute.</b>
ATEX Ex II 2G	24V d.c.	Amber	813006	
ATEX Ex II 2G	240V a.c.	Red	813007	
ATEX Ex II 2G	240V a.c.	Amber	813008	

## XB11

### 5 Joule Flashing Xenon – Explosionproof



Certification	⊕ ATEX ⊕ Chinese, SAA
Flameproof	ATEX Ex II 2GD, EExd IIB T4, T5 & T6
Certified Ambient Temperature	-55°C to +70°C
Ingress Protection	IP66 & 67
Material	Corrosion-free GRP
Entries	2 x 20mm
Weight	2.5kg
Options: Body & lens colour, mounting, tel. initiate, certification, lens guard, flash rate, earth continuity, voltages 24V d.c., 110V a.c., 240V a.c.	

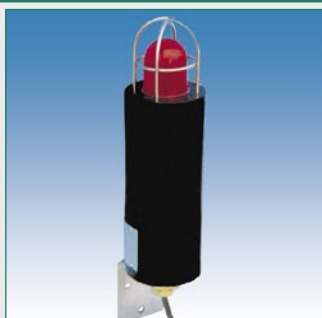


#### Standard models. Available ex-stock.

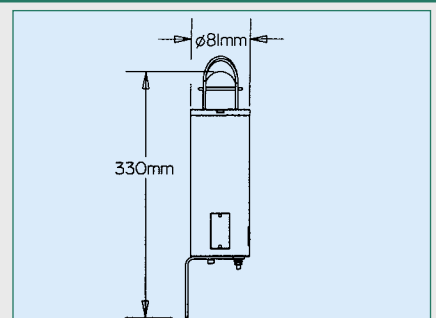
Certification	Voltage	Lens Colour	Ordering Code	Standard Product Configuration
ATEX Ex II 2GD	24V d.c.	Red	811101	<b>Standard models are in GRP, natural black body, no tag or duty labels, 2 x M20 entries, 60 flashes per minute.</b>
ATEX Ex II 2GD	24V d.c.	Amber	811102	
ATEX Ex II 2GD	240V a.c.	Red	811103	
ATEX Ex II 2GD	240V a.c.	Amber	811104	

## XB9

### 5 Joule Flashing Xenon – Explosionproof



Certification	⊕ ATEX
Flameproof	ATEX Ex II 2G, EExd IIC T5/T6
Certified Ambient Temperature	-55°C to +55°C
Ingress Protection	IP66 & 67
Material	Corrosion-free GRP
Entries	1 x 20mm or PG13.5
Weight	1.6kg
Options: Body & lens colour, tag & duty labels, lens guard, voltages, flash rate, 24-48V d.c., 110-254V a.c.	



#### Standard models. Available ex-stock.

Certification	Voltage	Lens Colour	Ordering Code	Standard Product Configuration
ATEX Ex II 2G	24V d.c.	Red	819105	<b>Standard model has natural black body, no tag or duty labels, 60 flashes per minute, lens guard, 3m cable &amp; tail.</b>
ATEX Ex II 2G	24V d.c.	Amber	819106	
ATEX Ex II 2G	240V a.c.	Red	819107	
ATEX Ex II 2G	240V a.c.	Amber	819108	

Download data sheets from [www.medc.com](http://www.medc.com)

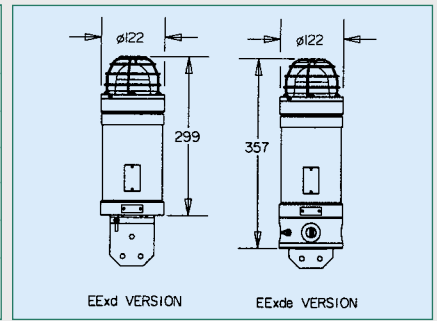
# Beacons/Strobes

## XB10

### 10 & 15 Joule Flashing Xenon – Explosionproof & Weatherproof



Certification	Ⓔ ATEX, GOST 'R'
Flameproof	ATEX Ex II 2G, EExd(e) IIB T4
Certified Ambient Temperature	-55°C to +55°C
Ingress Protection	IP66 & 67
Material	Corrosion-free GRP
Entries	Up to 3 x 20mm or 2 x PG13.5
Weight	2.8-3.6kg
Options: Body & lens colour, tel. initiate, earth continuity, flash rate, terminal chamber, voltages 24-48V d.c., 110-254V a.c.	



#### Standard models. Available ex-stock.

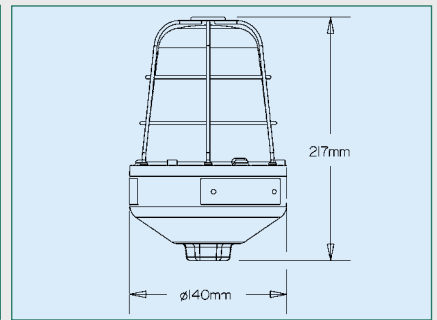
Certification	Voltage	Lens Colour	Ordering Code	Standard Product Configuration
ATEX Ex II 2G	24V d.c.	Red	811050	<b>Standard models are in natural black, 15 Joules, lens guard, no tag or duty labels, 2 x M20 entries, 60 flashes per minute.</b>
ATEX Ex II 2G	24V d.c.	Amber	811051	
ATEX Ex II 2G	240V a.c.	Red	811052	
ATEX Ex II 2G	240V a.c.	Amber	811053	

## XB16

### 10 Joule Flashing Xenon – UL Hazardous & Ordinary Locations



Certification	UL US UL 1971 compliant
Hazardous Locations	Class I, Div 2, Groups A-D
Certified Ambient Temperature	-55°C to +70°C
Ingress Protection	IP66 & 67
Material	Corrosion-free GRP
Entries	1 x 1/2" NPT
Weight	1kg
Options: Body & lens colour, lens guard, tag & duty labels, relay initiate, flash rate, voltages 12-48V d.c., 110-254V a.c.	

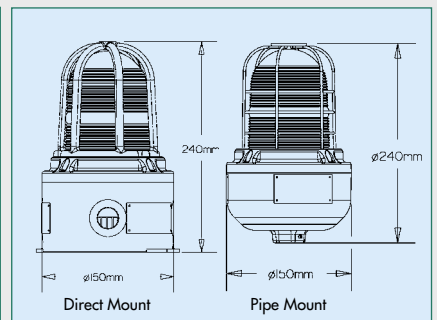


## XB15

### 15 Joule Flashing Xenon – Explosionproof



Certification	Ⓔ ATEX cUL US
Flameproof	ATEX Ex II 2GD, EExd IIC T5/T6
Certified Ambient Temperature	-55°C to +70°C
Ingress Protection	IP66 & 67
Material	Corrosion-free GRP
Entries	Up to 3 x 20mm or 3 x 25mm
Weight	2.6-3.6kg
Options: Body & lens colour, relay & telephone initiate, flash rate, voltages 12-48V d.c., 110-254V a.c.	

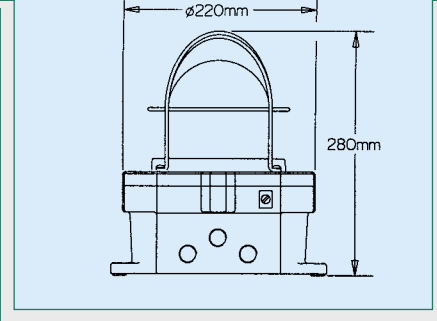


## XB4

### 21 Joule Flashing Xenon – Explosionproof



Certification	Ⓔ ATEX cUL US GOST 'R' SAA
Flameproof	ATEX Ex II 2G, EExd(e) IIC T5
Certified Ambient Temperature	-55°C to +70°C
Ingress Protection	IP66 & 67
Material	Stainless Steel or Alloy
Entries	Up to 4 x 20mm or 25mm
Weight	15-16kg (Steel), 6.6-7.4kg (Alloy)
Options: Body & lens colour, lens guard, tag & duty labels, terminals, terminal chamber, initiation options, flash rate, voltages 24-48V d.c., 110-254V a.c.	



#### Standard models. Available ex-stock.

Certification	Voltage	Lens Colour	Ordering Code	Standard Product Configuration
ATEX Ex II 2G	24V d.c.	Red	814001	<b>Standard model are red painted, alloy, no lens guard, 2 x M20 entries.</b>
ATEX Ex II 2G	240V a.c.	Red	814002	

# Beacons/Strobes

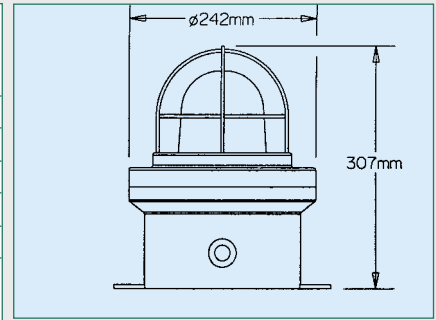
## XB12

### 21 Joule Flashing Xenon – Explosionproof



Certification	Ⓔ ATEX Ⓛ UL US GOST 'K', Chinese
Flameproof	ATEX Ex II 2G, EExd IIB T4/T5
Certified Ambient Temperature	-55°C to +70°C
Ingress Protection	IP66 & 67
Material	Corrosion-free GRP
Entries	2 x 20mm
Weight	7.0kg

Options: Body & lens colour, lens guard, tag & duty labels, telephone initiation, flash rate, mounting method, earth continuity, voltages 24V d.c., 110-240V a.c.



#### Standard models. Available ex-stock.

Certification	Voltage	Lens Colour	Ordering Code	Standard Product Configuration
ATEX EX II 2GD	24V d.c.	Red	812101	<b>Standard models are in natural black GRP, no lens guard, 2 x 20mm entries, 60 flashes per minute.</b>
ATEX EX II 2GD	24V d.c.	Amber	812102	
ATEX EX II 2GD	240V a.c.	Red	812103	
ATEX EX II 2GD	240V a.c.	Amber	812104	

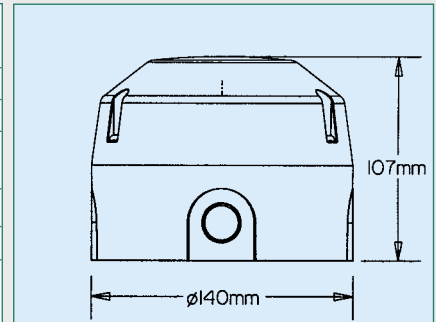
## XB8

### 0.5 Joule Flashing Xenon – Explosionproof



Certification	Ⓔ ATEX GOST 'R'
Intrinsically Safe	ATEX Ex II 1G, EExia IIB/IIC T4
Certified Ambient Temperature	-55°C to +60°C
Ingress Protection	IP66 & 67
Material	Corrosion-free GRP body Polycarbonate lens
Entries	Up to 3 x 20mm via knockouts
Weight	1.4kg

Options: Body & lens colour, certification, tag & duty labels, voltages 12-24V d.c.



#### Standard models. Available ex-stock.

Certification	Voltage	Lens Colour	Ordering Code	Standard Product Configuration
ATEX Ex II 1G	24V d.c.	Clear	818002	<b>Standard models have natural red body colour, no tag or duty labels, 60 flashes per minute.</b>

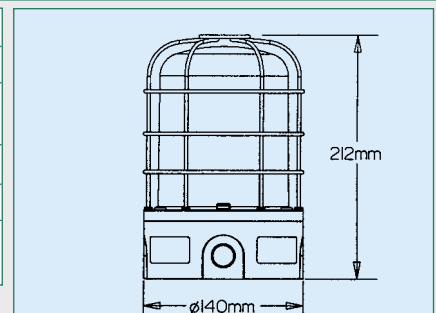
## XB13

### 10 Joule Flashing Xenon – Weatherproof & Heavy Duty



Operating Temperature	-55°C to +70°C
Ingress Protection	IP66 & 67
Material	Corrosion-free GRP body Polycarbonate lens
Entries	Up to 3 x 20mm via knockouts
Weight	1.1kg

Options: Body & lens colour, tag & duty labels, lens guard, telephone & relay initiate, single & dual flash mode, voltages 12-24V d.c., 115-230V a.c.



#### Standard models. Available ex-stock.

Voltage	Lens Colour	Ordering Code	Standard Product Configuration
24V d.c.	Red	813101	<b>Standard models are in natural red body colour, no tag or duty labels, no lens guard, 3 x 20mm entries via knockouts, 60 flashes per minute (single flash mode), dual &amp; single flash modes.</b>
24V d.c.	Amber	813102	
230V a.c.	Red	813103	

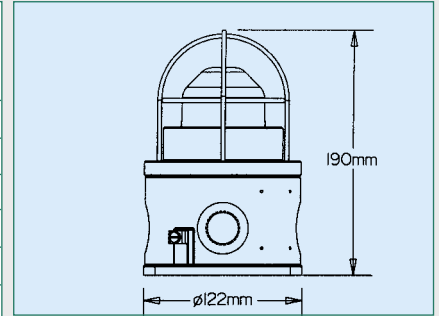
# Beacons/Strobes

**SM87**  
LU1/LU3

## 10 Watt Steady Filament/Fluorescent Explosionproof



Certification	Ⓔ ATEX Ⓛ UL US Ⓜ GOST 'R', Chinese
Flameproof	ATEX Ex II 2GD, EExd(e) IIC T4/T6
Certified Ambient Temperature	-55°C to +55°C (model dependent)
Ingress Protection	IP66 & 67
Material	Stainless Steel or Alloy
Entries	Up to 3 x 20mm or 25mm
Weight	2.5 - 3.8kg
Options: Body & lens colour, lens guard, tag & duty labels, terminal chamber, voltages 24-48V d.c., 110-254V a.c.	

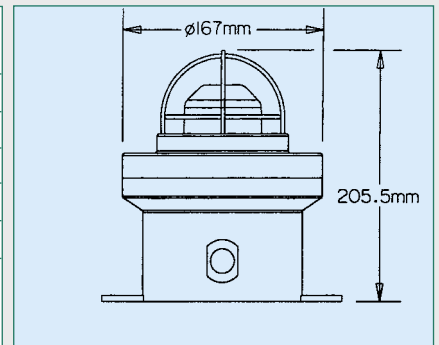


**FB11 & FL11**

## 10 Watt Steady Filament & Fluorescent Explosionproof



Certification	Ⓔ ATEX Ⓛ UL US
Flameproof	ATEX Ex II 2GD, EExd IIB T4/T5
Certified Ambient Temperature	-55°C to +55°C
Ingress Protection	IP66 & 67
Material	Corrosion-free GRP
Entries	2 x 20mm
Weight	2.8kg
Options: Body & lens colour, lens guard, tag & duty labels, lamp wattage, unit fixing, earth continuity, mounting method, voltages 24-48V d.c., 110-254V a.c.	

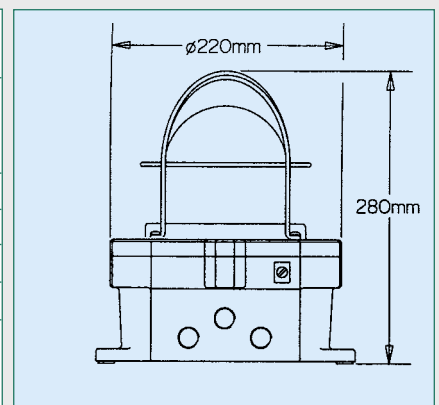


**FB4 & FL4**

## 100 Watt Steady Filament & 39 Watt Fluorescent Explosionproof



Certification	Ⓔ ATEX Ⓛ UL US GOST 'R'
Flameproof	ATEX Ex II 2G, EExd(e) IIC T3/T6
Certified Ambient Temperature	-55°C to +55°C (FB4 EExd) -50°C to +55°C (FB4 EExde) -20°C to +55°C (FL4)
Ingress Protection	IP66 & 67
Material	Stainless Steel or Alloy
Entries	Up to 4 x 20mm or 25mm
Weight	14.9-17.3kg (Steel), 6.5 - 8.9kg (Alloy)
Options: Body & lens colour, lens guard, tag & duty labels, lamp wattage, relay initiate, terminals, terminal chamber, voltages 24-48V d.c., 110-240V a.c.	



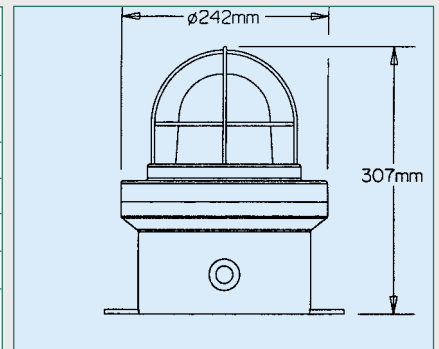
# Beacons/Strobes

**FB12 & FL12**

**100 Watt Steady Filament & 39 Watt Fluorescent**  
Explosionproof



Certification Flameproof	ATEX cULus ATEX Ex II 2G, EExd IIB T4/T5
Certified Ambient Temperature	-55°C to +55°C (FB12) -20°C to +55°C (FL12)
Ingress Protection	IP66 & 67
Material	Corrosion-free GRP
Entries	2 x 20mm
Weight	7.2 - 7.6kg
Options: Body & lens colour, lens guard, tag & duty labels, lamp wattage, unit fixing, earth continuity, mounting method, voltages 24-48V d.c., 110-254V a.c.	

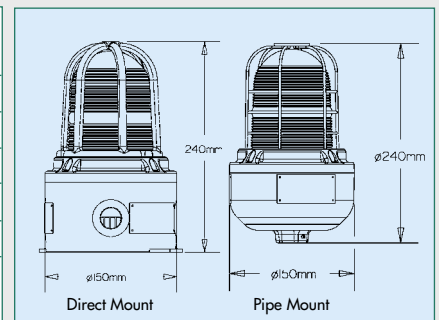


**FB15**

**60 Watt/100 Watt Steady Filament – Explosionproof**



Certification Flameproof	ATEX cULus ATEX Ex II 2GD, AExd IIC T3/T4
Certified Ambient Temperature	-55°C to +70°C
Ingress Protection	IP66 & 67
Material	Corrosion-free GRP
Entries	2 x 20mm
Weight	2.6 - 3kg
Options: Body & lens colour, lens guard, tag & duty labels, lamp wattage, unit fixing, mounting method, voltages 24-48V d.c., 110-254V a.c.	

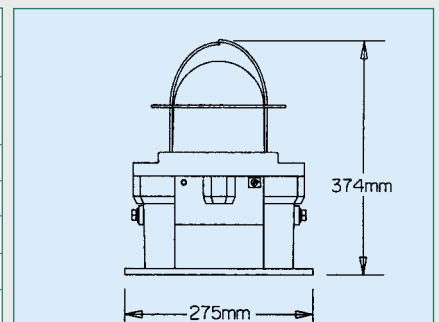


**FB5 & FL5**

**200 Watt Steady Filament & 52 Watt Steady Fluorescent**  
Explosionproof



Certification Flameproof	ATEX ATEX Ex II 2G, EExd(e) IIB T3/T4
Certified Ambient Temperature	-20°C to +30°C (FB5) -20°C to +50°C (FL5)
Ingress Protection	IP66, 67 & 68
Material	Stainless Steel or Alloy
Entries	Up to 4 x 20mm or 25mm
Weight	11.6 - 14.3kg
Options: Body colour, lens guard, mounting method, voltages 220-254V a.c.	



# Beacons/Strobes

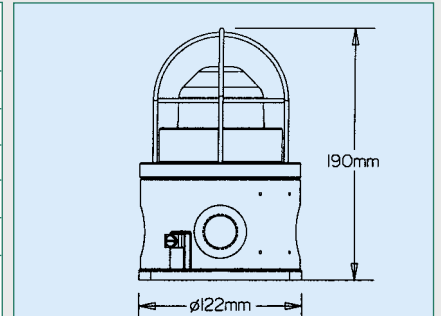
## SM87 LED

### Up to 192 Cd Steady or Flashing LED (Selectable)

Explosionproof



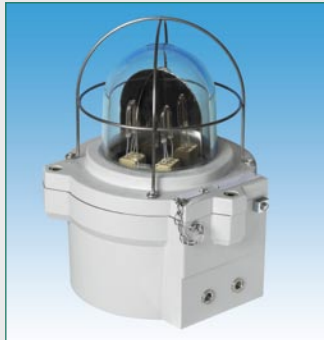
Certification Flameproof	⊕ ATEX ATEX Ex II 2GD, EExd(e) IIC T6
Certified Ambient Temperature	-20°C to +40°C
Ingress Protection	IP66 & 67
Material	Stainless Steel or Alloy
Entries	Up to 3 x 20mm or 25mm
Weight	2.5 - 4.5kg
Options: Body & lens colour, lens guard, tel & relay initiate, EOL resistor, terminal chamber, voltages 24-48V d.c..	



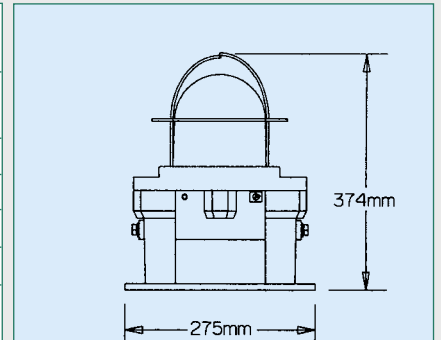
## XB5 & TH5

### 5 Joule Sequenced & 70 Watt Rotating

Explosionproof



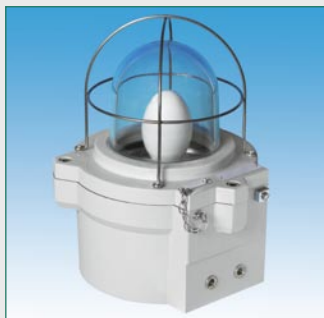
Certification Flameproof	⊕ ATEX ATEX Ex II 2G, EExd(e) IIB T4/T6
Certified Ambient Temperature	-20°C to +55°C (TH5) -20°C to +40°C (XB5)
Ingress Protection	IP66, 67 & 68
Material	Alloy
Entries	Up to 4 x 20mm or 25mm
Weight	14.6 - 15.9kg
Options: Body & lens colour, lens guard, tag label, terminal chamber, rotational speed, voltages 12-4110V d.c., 110-254V a.c.	



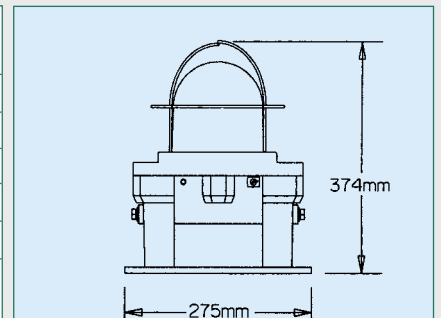
## HS5 & MF5

### 70 Watt Sodium/80 Watt Mercury Fluorescent

Explosionproof



Certification Flameproof	⊕ ATEX, Ⓟ (HS5 only) ATEX Ex II 2G, EExd(e) IIB T3/T4
Certified Ambient Temperature	-20°C to +40°C
Ingress Protection	IP66, 67 & 68
Material	Stainless Steel or Alloy
Entries	Up to 4 x 20mm or 25mm
Weight	12.9 - 14.0kg
Options: Body colour, lens guard, tag label, terminal chamber, mounting method, voltages 220-254V a.c.	



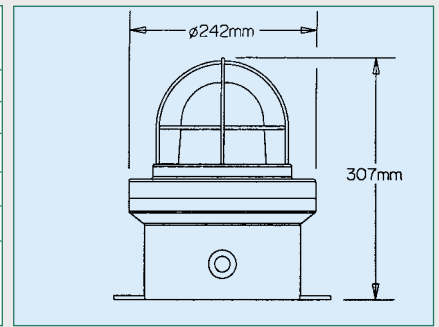
# Beacons/Strobes

**TH12**

## 55 Watt/70 Watt Rotating Beacon – Explosionproof



Certification	ATEX
Flameproof	ATEX Ex II 2G, EExd IIB T4/T5
Certified Ambient Temperature	-55°C to +70°C
Ingress Protection	IP66 & 67
Material	Corrosion-free GRP
Entries	2 x 20mm
Weight	7.6kg
Options: Body & lens colour, lens guard, tag & duty labels, flash rate, mounting method, earth continuity, voltages 24V d.c. 110-240V a.c.	

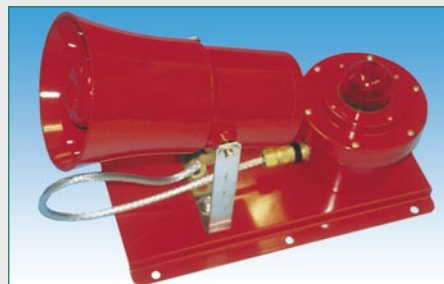


### Standard models. Available ex-stock.

Certification	Voltage	Lens Colour	Ordering Code	Standard Product Configuration
ATEX Ex II 2G	24V d.c.	Red	815010	<b>Standard model is in natural black GRP, no lens guard, 2 x 20mm entries, 60 flashes per minute.</b>

## Beacon/Sounder Combination Units

– Explosionproof & Heavy Duty Industrial & Marine



Note: Examples only – actual arrangements may vary (contact sales office)

**A range of combination units that can be constructed from MEDC sounders, beacons and other equipment.**

**For more information, request data sheet 6DS104.**



Download data sheets from [www.medc.com](http://www.medc.com)