

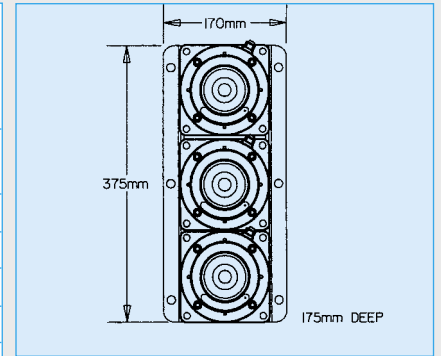
Status Lamps

SM87SL

Xenon, Filament, Fluorescent & LED Status Lamps – Explosionproof



| | |
|--|---|
| Certification | Ⓔ ATEX, Ⓛ US, Ⓢ GOST 'R' & 'K', Chinese |
| Flameproof | ATEX Ex II 2G, EExd IIC T4 (LED/Fil) ATEX Ex II 2G, EExd IIC T6 (Xe/Fil) |
| Certified Ambient Temperature | -20°C to +55°C (LED/Fil) -55°C to +55°C (Xe/Fil) |
| Ingress Protection | IP66 & 67 |
| Material | Stainless Steel or Alloy |
| Entries | Up to 3 x 20mm or 25mm |
| No. of Ways | Up to 4 |
| Options: Body & lens colour, certification, tag & duty labels. | |

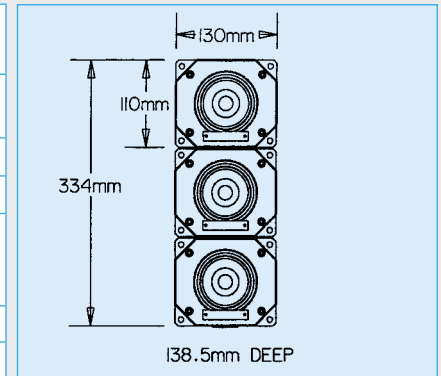


SL5

Xenon, Filament & LED Status Lights – Explosionproof



| | |
|--|---|
| Certification Increased Safety | Ⓔ ATEX, Chinese ATEX Ex II 2G, EExe(m) II T3/T4 |
| Certified Ambient Temperature | -40°C to +55°C (Xe/Fil) -40°C to +45°C (LED) |
| Ingress Protection | IP66 & 67 |
| Material | Corrosion-free GRP |
| Entries | Up to 2 x 16mm or 20mm or 1 x 25mm or 32mm |
| No. of Ways | Up to 5 |
| Options: Body & lens colour, certification, tag & duty labels. | |

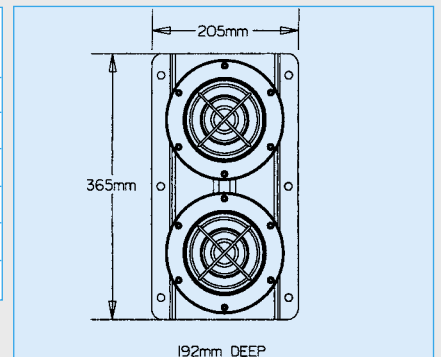


XB11SL

Xenon, Filament & Fluorescent Status Lamps – Explosionproof



| | |
|--|--|
| Certification Flameproof | Ⓔ ATEX, Ⓛ US ATEX Ex II 2GD, EExd IIB T5/T6 |
| Certified Ambient Temperature | -55°C to +70°C |
| Ingress Protection | IP66 & 67 |
| Material | Corrosion-free GRP |
| Entries | 1 x 20mm |
| No. of Ways | Up to 5 |
| Options: Body & lens colour, certification, tag & duty labels. | |



Status Lamps can also be configured using the high intensity XB4 range.

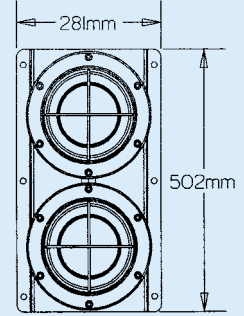
Download data sheets from www.medc.com

Status Lamps

XB12 SL Xenon, Filament & Fluorescent Status Lamp – Explosionproof



| | |
|--|-------------------------------|
| Certification | ⒺⒶ ATEX c Ⓛ ^{us} |
| Flameproof | ATEX Ex II 2G, EExd IIB T4/T5 |
| Certified Ambient Temperature | -55°C to +70°C |
| Ingress Protection | IP66 & 67 |
| Material | Corrosion-free GRP |
| Entries | 1 x 20mm |
| No. of Ways | Up to 5 |
| Options: Body & lens colour, certification, tag & duty labels. | |



290mm DEEP