

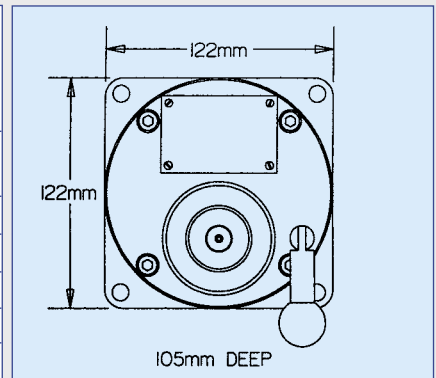
Manual Call Points

SM87 BG

Break Glass Call Point – Explosionproof



Certification	Ⓔ ATEX Ⓜ GOST 'R' & 'K', Chinese
Intrinsically Safe Flameproof	ATEX Ex II 1G, EExia IIC T4 ATEX Ex II 2G, EExd IIC T6
Certified Ambient Temperature	-55°C to +70°C -20°C to +55°C (LED)
Ingress Protection	IP66 & 67
Material	Stainless Steel or Alloy
Entries	Up to 4 x 20mm or 25mm
Weight	3.8kg (Steel) 2.5kg (Alloy)
Options: Body colour, lift flap, LED, resistor, diode, 3 & 4 pole changeover switch, certification, tag & duty labels.	

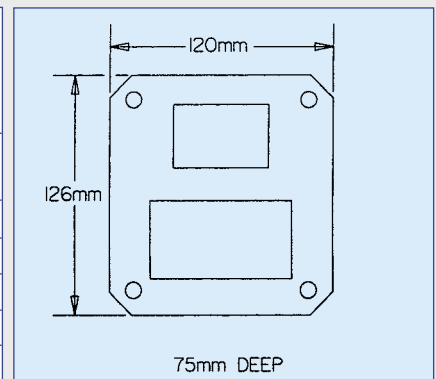


BG

Break Glass Call Point – Explosionproof & Weatherproof



Certification	Ⓔ ATEX Ⓜ GOST 'R' & 'K', Chinese
Intrinsically Safe Increased Safety	ATEX Ex II 1GD, EExia IIC T4 ATEX Ex II 2GD, EExed(m) IIC T4 (T6)
Certified Ambient Temperature	-40°C to +50°C (EExia) -20°C to +50°C (EExed)
Ingress Protection	IP66 & 67
Material	Corrosion-free GRP
Entries	Up to 4 x 20mm or 16mm
Weight	1.2kg (varies with model)
Options: Body colour, LED, lift flap, series & EOL resistors, diodes, earth continuity, terminals, certification, tag & duty labels.	



Standard models. Available ex-stock.

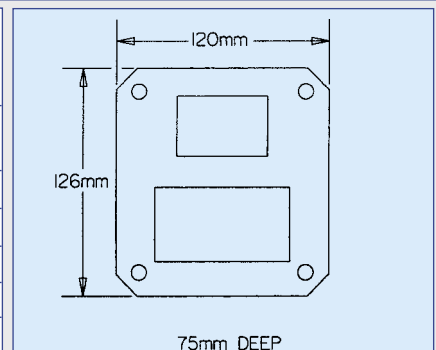
Certification	Type	Ordering Code	Standard Product Configuration
ATEX Ex II 1GD	Intrinsically Safe	800002	Standard models have 2 x 20mm bottom entries, red painted GRP, single switch glass label 'Fire Break Glass Press Here'.
ATEX Ex II 2GD	Increased Safety	800003	
-	Weatherproof	800001	

BG2

Break Glass Call Point – Explosionproof



Certification	Ⓔ ATEX
Intrinsically Safe Increased Safety	ATEX Ex II 1GD, EExia IIC T4 ATEX Ex II 2GD, EExed(m) IIC T4 (T6)
Certified Ambient Temperature	-40°C to +55°C (EExia) -20°C to +50°C (EExed)
Ingress Protection	IP66 & 67
Material	Corrosion-free GRP
Entries	2 x 20mm
Weight	1.2kg
Options: Lift flap, series & EOL resistors.	



Standard models. Available ex-stock.

Certification	Type	Ordering Code	Standard Product Configuration
ATEX Ex II 1GD	Intrinsically Safe	800005	Standard models have 2 x 20mm bottom entries, natural red GRP, single switch glass label 'Break Glass Press Here'.
ATEX Ex II 2GD	Increased Safety	800004	

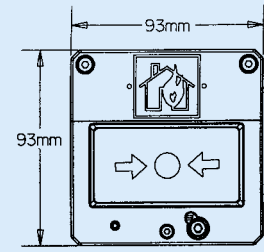
Manual Call Points

BG3

Break Glass Call Point – Explosionproof & Weatherproof



Certification	Ⓔ ATEX, Chinese ATEX Ex II 1G, EExia IIC T4
Intrinsically Safe	
Certified Ambient Temperature	-55°C to +55°C (EExia)
Ingress Protection	IP66 & 67
Material	Corrosion-free GRP
Entries	2 x 20mm
Weight	0.5kg
Options: Body colour, LED, lift flap, series & EOL resistors, flush mounting, tag & duty labels.	



62mm DEEP (SURFACE MOUNT)
25mm DEEP (FLUSH/PANEL MOUNT)

Standard models. Available ex-stock.

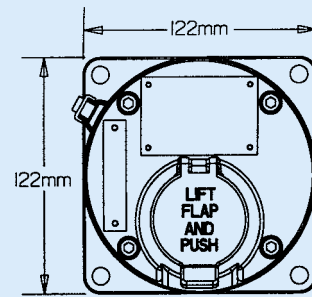
Certification	Type	Ordering Code	Standard Product Configuration
ATEX Ex II 1G	Intrinsically Safe	800007	Standard models are surface mount version, have 2 x 20mm bottom entries, natural red GRP, single switch glass label 'Fire Break Glass Press Here', duty label 'Burning House'
-	Weatherproof	800006	

SM87 PB

Push Button Call Point – Explosionproof



Certification	Ⓔ ATEX Ⓜ Ⓢ GOST 'R' & 'K', Chinese
Intrinsically Safe	ATEX Ex II 1G, EExia IIC T4
Flameproof	ATEX Ex II 2G, EExd IIC T6
Certified Ambient Temperature	-55°C to +70°C -20°C to +55°C (LED)
Ingress Protection	IP66 & 67
Material	Stainless Steel or Alloy
Entries	Up to 4 x 20mm or 25mm
Weight	3.8kg (Steel) 2.5kg (Alloy)
Options: Body colour, LED, resistor, diode, 3 & 4 pole changeover switch, certification, tag & duty labels.	



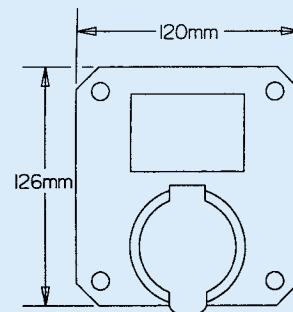
118mm DEEP

PB

Push Button Call Point – Explosionproof



Certification	Ⓔ ATEX Ⓜ Ⓢ GOST 'R' & 'K', Chinese
Intrinsically Safe	ATEX Ex II 1GD, EExia IIC T4
Increased Safety	ATEX Ex II 2GD, EExed(m) IIC T4 (T6)
Certified Ambient Temperature	-40°C to +70°C (EExia) -20°C to +50°C (EExed)
Ingress Protection	IP66 & 67
Material	Corrosion-free GRP
Entries	Up to 4 x 20mm or 16mm
Weight	1.2kg
Options: Body colour, LED, series & EOL resistors, diode, earth continuity, turn & push, self reset, Chinese certification, tag & duty labels.	



114mm DEEP

Standard models. Available ex-stock.

Certification	Type	Finish	Ordering Code	Standard Product Configuration
ATEX Ex II 2GD	Increased Safety	Red	800010	Standard models have 2 x M20 entries, single switch