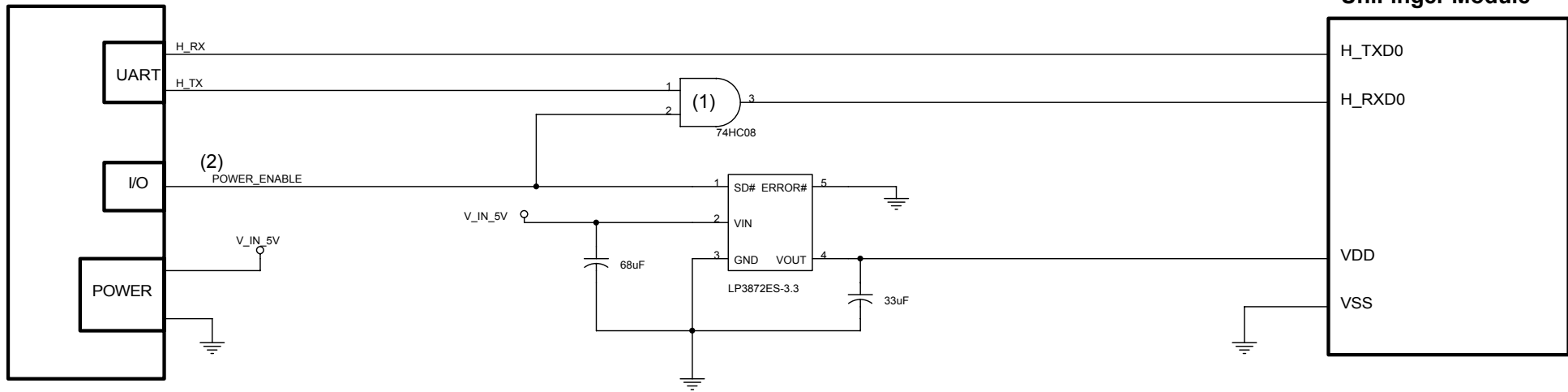


Host Processor



Notes

- (1) MAY BE OMITTED IF H_TX CAN BE TRI-STATED OR PULLED LOW WHILE THE UNIFINGER MODULE IS POWERED DOWN
- (2) POWER_ENABLE: LOW -> POWER OFF, HIGH -> POWER ON

* CAUTION

All I/O and signal pins connected to the UniFinger module should be in 0 ~ 0.3V range while the module is powered down, to avoid undesired side effects and/or permanent damage.

Suprema Inc.		
Dongcheon Bldg, 13-21 Yangjae Seocho, Seoul Korea		
Title UniFinger Host I/F with power control circuit		
Size A4	Document Number	Rev 0.9
Date: Wednesday, June 30, 2004	Sheet 1	of 1