



BioEntry™ Door

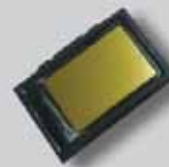
Fingerprint Door Lock for Office

BioEntry™ Door is a fingerprint door lock system suitable for small or medium sized offices. Composed of an external fingerprint reader and an internal door controller, BioEntry™ Door provides a secure and cost effective door access solution.

Award winning fingerprint recognition engine of BioEntry™ Door eliminates the needs of carrying keys, cards or remembering PINs even for a large number of users. It's more than simple - just place your finger.



Optical



Capacitive



Swipe Thermal

Features

- Built-in relay outputs to drive door strike and alarm
- Input switches for door sensor and exit button
- Stand-alone user registration and management by LCD and keypad
- Event logging and user management by RS232/485 or TCP/IP
- Award winning fingerprint recognition engine (No.1 in FVC2004)
- Industry's fastest identification speed (1 to 1000 search in 1 second)
- Multiple choice of industry's leading fingerprint sensors



Fingerprint Door Lock for Office

BioEntry™ Door

Ordering Model

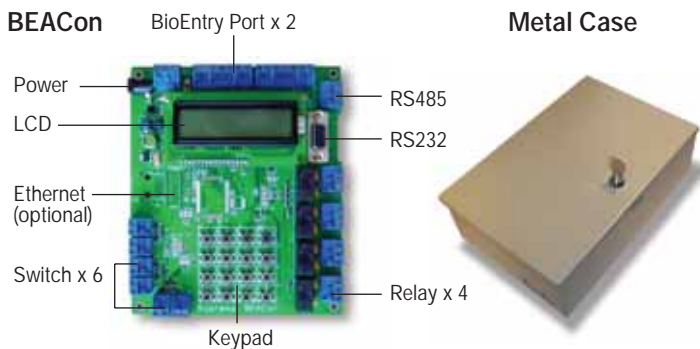
Sensor Type Operation Mode	OP (Optical)	TC (Capacitive)	FC (Swipe Thermal)
BioEntry™ Door Pass (Fingerprint Only)	BEP-OP-D	BEP-TC-D	BEP-FC-D
BioEntry™ Door Smart (Fingerprint + Smartcard)	BES-OP-D	BES-TC-D	BES-FC-D

BioEntry™ Reader Specifications

CPU	400MHz DSP
Flash memory	4MB
EER	< 0.1%
Enrollment time	< 1 sec
Identificaion time	< 1 sec (1:1000 genuine matching)
Verification time	< 1 sec
Template size	384 bytes (reducible to 256 bytes)
Smartcard	ISO14443A MIFARE (optional)
Template capacity	9,000 at 4MB flash
Host communication	RS422 / RS485
Aux.communication	RS232
External I/O	2 TTL input, 1 TTL output
Encryption	256 bit AES
Size	75 x 175 x 54 (W x H x D)

BEACon™ Controller Specifications

CPU	8-bit microprocessor
Reader	BioEntry x 2
Input switch	Door sensor x 2, Exit button x 2, Configurable x 2
Output relay	Form C relay (Common/NC/NO, 250V/5A) x 4
Host communication	RS232, RS485, TCP/IP (optional)
Display	16 x 2 character LCD
Keypad	16 numeric keys
Power	12 Vdc @ 300mA
Accessories	Metal case (optional), Power adaptor (optional)



Applications

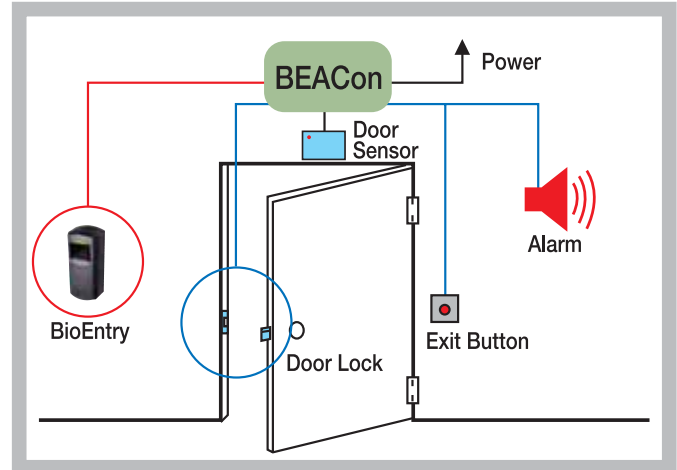
Office, Home, Garage, Warehouse

For sales and inquiries, please contact :

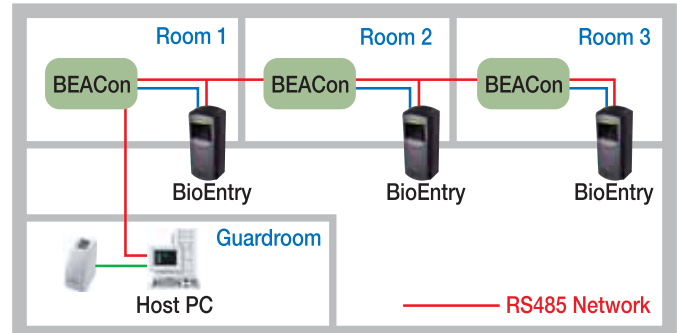
Suprema Inc.

16F Parkview Office Tower, Jeongja-dong, Seongnam, Gyeonggi, 463-863 Korea
 Tel : +82-31-783-4502, Fax : +82-31-783-4503
 E-mail : sales@supremainc.com, http://www.supremainc.com

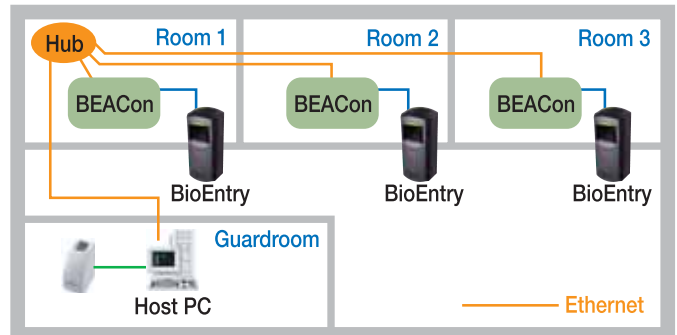
Stand-alone Mode



Network Mode (RS485)



Network Mode (Ethernet)



Network Mode (Smartcard)

