



DIALER DT-1

USERS MANUAL

Program version 3.0



dt1_e 05/06



WARNINGS

Due to safety reasons, the dialer should be installed by qualified personnel only.

The dialer should be connected to **POTS lines only**. Connecting to ISDN lines may cause damage to the equipment.

Pay special attention if the telephone line used by the dialer is frequently busy and/or failures are reported concerning the line and/or monitoring. Report such situations to the alarm system installer immediately.

Making any construction changes or unauthorized repairs is prohibited. This applies, in particular, to modification of assemblies and components. Maintenance or repair operations should be performed by authorized personnel (i.e. the installer or factory service).

In order to avoid any operational problems with the telephone dialer, it is recommended that you become familiar with this manual before you start using the equipment.

CONTENTS

| | |
|--|----|
| 1. INTRODUCTION | 3 |
| 2. ALARM SYSTEM OPERATING COSTS | 3 |
| 3. ABOUT DT-1 | 3 |
| 3.1 FORWARDING VOICE MESSAGES INFORMING ABOUT AN ALARM | 4 |
| 3.2 DIALING | 4 |
| 3.3 ANSWERING TELEPHONES..... | 5 |
| 3.4 PROVISION OF INFORMATION THROUGH PAGER SYSTEMS | 6 |
| 3.5 COMPUTER MONITORING | 6 |
| 4. DIALER OPERATION | 7 |
| 4.1 CODES..... | 7 |
| 4.2 KEYPAD | 8 |
| 4.3 STATUS DISPLAY (LIGHT-EMITTING DIODES - LEDs) | 8 |
| 4.4 SOUND SIGNALS | 8 |
| 4.5 TROUBLES..... | 8 |
| 5. PROGRAMMING - USER FUNCTIONS..... | 9 |
| FUNCTION 1 - PROGRAMMING OF TELEPHONE NUMBER 1 | 9 |
| FUNCTION 2 - PROGRAMMING OF TELEPHONE NUMBER 2 | 9 |
| FUNCTION 3 - PROGRAMMING OF TELEPHONE NUMBER 3 | 9 |
| FUNCTION 4 - PROGRAMMING OF TELEPHONE NUMBER 4 | 9 |
| FUNCTION 5 - PROGRAMMING OF TELEPHONE NUMBER 5 | 9 |
| FUNCTION 6 - PROGRAMMING OF TELEPHONE NUMBER 6 | 9 |
| FUNCTION 7 - RECORDING VOICE MESSAGES | 10 |
| FUNCTION 8 - MESSAGE CONTROL..... | 11 |
| FUNCTION 9 - CHANGE OF USER'S CODE | 11 |
| FUNCTION 0 - LEAVING THE USER'S PROGRAMMING MODE | 11 |
| 6. PROGRAMMING - SERVICE FUNCTIONS | 11 |
| FS0 - LEAVING THE SERVICE MODE | 12 |
| FS1 - CHANGE OF SERVICE CODE | 12 |
| FS2 - INPUT OPTIONS | 12 |
| FS3 - PHONING OPTIONS (PART I)..... | 12 |
| FS4 - PHONING OPTIONS (PART II)..... | 13 |
| FS5 - MONITORING OPTIONS | 13 |
| FS6 - SPECIFICATION OF NUMBERS FOR PAGER SYSTEM (PART I)..... | 14 |
| FS7 - DISABLING USER FUNCTIONS (PART I)..... | 14 |
| FS8 - DISABLING USER FUNCTIONS (PART II)..... | 14 |
| FS9 - PROGRAMMING OF THE REAL TIME CLOCK | 14 |
| FS10 - SETTING TIME FOR THE SENDING OF A TEST CODE TO STATION | 15 |
| FS11 - THE NUMBER OF DIALING ROUNDS AND CONNECTION ATTEMPTS IN A ROUND | 15 |
| FS12 - NUMBER OF RINGS BEFORE ANSWERING..... | 15 |
| FS13 - PROGRAMMING OF THE TELEPHONE NUMBER OF THE FIRST MONITORING STATION | 15 |
| FS14 - PROGRAMMING OF THE TELEPHONE NUMBER OF THE SECOND MONITORING STATION | 15 |
| FS15 - PROGRAMMING OF IDENTIFIER FOR THE FIRST MONITORING STATION | 16 |
| FS16 - PROGRAMMING OF IDENTIFIER FOR THE SECOND MONITORING STATION | 16 |
| FS17 - SELECTION OF TRANSMISSION FORMAT FOR THE FIRST MONITORING STATION .. | 16 |
| FS18 - SELECTION OF TRANSMISSION FORMAT FOR THE SECOND MONITORING STATION | 16 |
| FS19 - ALARM CODE PROGRAMMING | 16 |
| FS20 - ALARM RESTORE CODE PROGRAMMING..... | 17 |
| FS21 - ARM CODE PROGRAMMING..... | 17 |
| FS22 - DISARM CODE PROGRAMMING..... | 17 |
| FS23 - AUX1 CODE PROGRAMMING | 17 |
| FS24 - AUX0 CODE PROGRAMMING | 17 |
| FS25 - TRANSMISSION TEST CODE PROGRAMMING..... | 17 |
| FS26 - TLM TROUBLE CODE PROGRAMMING | 17 |
| FS27 - PROGRAMMING OF THE CODE "OVERLOADING OF STATION 1 BUFFER MEMORY". | 17 |
| FS28 - PROGRAMMING OF THE CODE "OVERLOADING OF STATION 2 BUFFER MEMORY". | 17 |
| FS29 - KEYPAD ALARM DEACTIVATION CODE PROGRAMMING..... | 17 |

| | |
|--|----|
| FS30 - PROGRAMMING ACTIVATION CODE PROGRAMMING | 17 |
| FS31 - SERVICE MODE ACTIVATION CODE PROGRAMMING | 17 |
| FS32 - SERVICE MODE LEAVING CODE PROGRAMMING | 18 |
| FS33 - DIALER RESTART CODE PROGRAMMING | 18 |
| FS34 - PROGRAMMING MESSAGE "A" TO PAGER SYSTEM | 18 |
| FS35 - PROGRAMMING MESSAGE "A" TO POLPAGER | 19 |
| FS36 - RESTORATION OF MANUFACTURER'S SETTINGS | 20 |
| FS37 - PROGRAMMING PARAMETERS OF THE PAGER SYSTEM STATION SIGNAL | 21 |
| FS38 - TELEPHONING AND MONITORING OPTIONS | 21 |
| FS39 - ENTERING NUMBERS SELECTED FOR A PAGER SYSTEM (PART II) | 21 |
| FS40 - PROGRAMMING MESSAGE "B" TO PAGER SYSTEM | 21 |
| FS41 - PROGRAMMING MESSAGE "B" TO POLPAGER | 21 |
| RESTARTING DIALER | 21 |
| 7. TECHNICAL INFORMATION | 22 |
| TECHNICAL DATA | 23 |
| 8. EXAMPLE OF DIALER CONNECTION TO CA-4V1 CONTROL PANEL | 23 |
| 9. LIST OF FUNCTIONS | 24 |
| USER FUNCTIONS | 24 |
| SERVICE FUNCTIONS | 24 |
| DISPLAY CODES | 26 |
| CODES CONTROLLING PROGRAMMING IN TELEPHONE NUMBERS | 26 |
| 10. HISTORY OF THE MANUAL UPDATES | 27 |

1. INTRODUCTION

The DT-1 dialer has been designed to work as an element of supervision systems, alarm systems, and control and measurement systems, which need to send concise information by remote control.

We hope that the software and the modern technical solutions used in our device will make it possible for you to forward messages in a fast and effective way, and that owing to the wide range of its abilities you will find many other applications for DT-1.

2. ALARM SYSTEM OPERATING COSTS

The main task of the control panel is signaling and efficient reporting of alarm situations and, in the case of the monitoring function, keeping the monitoring station informed about the protected facility status. Performance of these functions is to a large extent based on the use of a telephone line, which entails generating certain costs. Generally, the level of costs incurred by the alarm system owner depends on the amount of information the control panel has to transfer to the monitoring station. A failure of the telephone links, as well as incorrect programming of the control panel or dialer, may to a large degree increase these costs. Such a situation is usually related to an excessive number of connections made.

The installer can adjust functioning of the alarm system to the specific conditions and kind of the protected site, however it is the user who should decide if his or her priority is transferring information at any price, or, if some technical problems occur, the control panel is allowed to skip some events, the reception of which has not been confirmed by the monitoring station.

3. ABOUT DT-1

The DT-1 is a dialer designed to forward alarm messages through telephone dial lines. The device is able to:

- **send voice messages informing about an emergency (one- and two-message modes are available)**
- **answer phones by providing a voice message or a sound code**
- **send alphanumeric messages to pager systems (POLPAGER, EASY-CALL, TELEPAGE) - (one- and two-message modes are available)**
- **send digital messages to one or two computer monitoring stations.**

DT-1 is able to co-operate with all types of telephone exchanges. The device monitors the status of the line, recognises telephone exchange signals, and provides information on whether the connection has been successful. Both tone and pulse dialing are available.

Data concerning the dialer software and the voice messages are stored in non-volatile memory (data will not be lost even if there is a power failure). Access to data programming is granted after the **user's code** (manufacturer's code: 1234) and **service code** (manufacturer's code: 12345) are given. The dialer has three programmable inputs: ALM, ARM, AUX.

3.1 FORWARDING VOICE MESSAGES INFORMING ABOUT AN ALARM

Voice messages may be forwarded to six telephone numbers. The numbers as well as the messages are programmable through user functions. The dialer memory makes it possible to store one voice message lasting for 16 seconds or two separate voice message lasting for 8 seconds each (FS38, option 2). The basic mode (FS38 - LED 2 off) makes it possible to send one message to all numbers. The transfer of messages starts after the ALM or AUX inputs are activated. The dialing sequence is consistent with the numbering of the numbers programmed. The number of dialing rounds is determined in service functions.

Operation in a **two-message** mode (FS3 - LED 1 on; FS38 - LED 2 on) is connected with an allocation of telephone numbers to the particular inputs and the message number. The activation of the **ALM** input will start the sending of voice message 1 to telephone numbers programmed through user functions **1, 2** and **3**, which have not been assigned for PAGER messages by the FS6 service function. The activation of the **AUX** input will start the sending of message 2 to telephone numbers programmed through user functions **4, 5** and **6**, which have not been assigned for PAGER messages through service functions FS6 and FS39.

3.2 DIALING

After "picking up the receiver", the dialer waits for the tone of readiness from the telephone exchange. After receiving the correct tone, the device dials the number and waits for a return dialing signal (the signal we hear when the phone of the person we are phoning to starts ringing). The dialer recognizes the stopping of the return dialing signal as answering the phone and starts sending the voice message. After the message is sent, the dialer starts dialing another number.

When busy tones are received, the connection is immediately finished and the device starts dialing another number. If there is no busy tone and no return dialing tone (due to signal disappearance, strong interference or picking up the receiver during the first ring), the dialer sends the message, but does not consider the connection successful.

After all the numbers have been dialed once, the dialer starts another round of calls by dialing the first number (if more than one round of dialing was programmed). During each "round of calls" each number is dialed once only. If there is no connection, the subsequent number is dialed. After finishing "rounds", dialer once again dials the number with which there was no connection. Connection attempts are repeated four times for each unsuccessful connection in a round. The number of rounds and the number of connection attempts are programmable (FS11 service function is used for the purpose). Default setting is "one" for the number of rounds, and "zero" for the number of connection attempts, which means that each number will be automatically dialed four times if there is no connection.

To stop dialing, give user's code or change the ARM input to the disarmed status.

Connection may be controlled through the LINE OUT headphones socket, which makes it possible to listen to the line during connection.

Note: *Do not test the system by using a telephone connected in parallel to the dialer - this may result in interference and improper functioning of the dialer.*

To have one message forwarded:

1. install the dialer, connect 12 V power supply and a telephone line;
2. program at least one telephone number (user functions F1-F6);
3. record your voice message (F7);
4. program the number of messages, i.e. 1 (FS38);

5. program input reaction in service functions (FS2 and FS3);
6. define dialing (pulse or tone) (FS3).
7. enable phoning (FS3).
8. program the number of dialing rounds (**must be bigger than zero**) (FS11).

Note: *If the signals getting to the dialer from the telephone line do not meet used standards, options disabling signal analysis should be set appropriately (FS4). If after picking up the receiver the signal is not continuous, disable dialing tone control.*

Before leaving the service mode, the dialer controls the data programmed. If they are incomplete (e.g. there is no programmed telephone number), the device disables dialing (FS3) and remains in the service mode.

To have two messages forwarded:

1. install the dialer, connect 12 V power supply and telephone line;
2. program at least two telephone numbers by using user functions F1-F3 for the first number and functions F4-F6 for the second number;
3. record both voice messages (F7);
4. program the number of messages, i.e. 2 (FS38);
5. program input reaction in service functions (FS2);
6. program message forwarding activation by the **AUX** input (FS3);
7. define dialing (pulse or tone) (FS3);
8. enable phoning (FS3);
9. program the number of dialing rounds (**must be bigger than zero**) (FS11).

3.3 ANSWERING TELEPHONES

The device may answer telephones by providing information on system status. The dialer will answer calls after recording the set number of rings.

Three messages may be provided:

- a voice message if there was an alarm within the last hour,
- five short sound signals every second if there was an alarm, but more than an hour ago,
- a short signal approximately every second if there has been no alarm since the device was activated.

Note: *If the dialer operates in the two-message mode, it will play the message connected with the input, which as the last has activated the transfer of information on alarm.*

After a phone is answered, the function is inactive for about 10 minutes, which makes it possible to get a connection with the answering system or fax located on the same telephone line behind the dialer. The dialer should be programmed in such a way that it answers phones faster than the other devices (e.g. the dialer could answer calls after three rings, and fax after five rings).

To activate the phone-answering function:

1. activate the alarm message forwarding function (as described above).
2. program the number of rings before answer (FS12).
3. switch on the answering to external phone calls (FS 4).

Note: *Phones are answered only when the ARM input detects that the alarm system is on.*

3.4 PROVISION OF INFORMATION THROUGH PAGER SYSTEMS

Each of the telephone numbers programmed by user functions may be used for the provision of information to pager systems (POLPAGER, EASY-CALL, TELEPAGE). After dialing the number to be used in this function (which must first be programmed in service functions FS6 and FS39), the dialer will wait for the answer tone from the pager system exchange, and send the alphanumeric message after receiving the signal. The message is forwarded by tone dialing (DTMF).

Because answer tones of the particular pager systems are different, it is necessary to specify the system with which the dialer is to co-operate in the service function FS37.

Connection is recognised as successful only after the dialer receives an answer tone from the pager system exchange (this guarantees that the connection was successful). In the basic mode (FS38 - LED 2 off) it is possible to forward one message (message "A") to each of the selected telephone numbers. To program the message, use function FS34 or FS35.

The operation in the **two-message** mode (FS38 - LED 2 on) is connected with the allocation of the particular telephone numbers to dialer inputs and to the message number - similarly as in the case of voice messages. In this case message "A" may be sent to telephone numbers 1, 2, and 3 after the activation of the ALM input, while message "B" (which is programmed by service function FS40 or FS41) will be forwarded to numbers 4, 5 and 6 after AUX input is activated.

To have one message sent through a pager system:

1. program the pager number to which the dialer is to forward the message by using user functions F1-F6;
2. program the telephone number which is to be used for forwarding messages through pager (FS6 or FS39);
3. program message A (FS34 or FS35);
4. define parameters of the pager system answer tone (FS37);
5. program the other forwarding options correctly (as for voice message forwarding) and enable phoning (FS2-FS4).

Note: *Message is forwarded after the ALM or AUX input is activated. Activation mode may be programmed through service function FS2.*

To have two different messages sent through a pager system:

1. program the pager number to which the dialer is to forward message A using user functions F1-F3, and the pager number to which the dialer is to send message B, using user functions F4-F6;
2. program the telephone numbers, which are to be used for forwarding messages through pager (FS6 and FS39);
3. program messages (FS34 or FS35 for message A; FS40 or FS41 for message B);
4. define pager system answer tone parameters (FS37) - one system for both messages;
5. set correctly the other forwarding options (as for the forwarding of two voice messages) and enable phoning (FS2-FS4).

3.5 COMPUTER MONITORING

Independently of sending voice messages and transferring messages through pager systems, the dialer may forward messages to one or more computer monitoring stations.

Monitoring is serviced as a priority, before messages are sent to the other six phone numbers, which may stop the process of sending voice or text messages until data are sent to stations. Cancelling alarm by user's code does not stop communication with the monitoring station.

Data may be forwarded in one of several formats (standards). Transmission format may be programmed through service functions FS17 and FS18. Data format is defined through code length (FS19 to FS33) and identifiers (FS15 and FS16). The following formats are acceptable: 3/1, 3/2, 4/1, 4/2. A four-digit identifier and a one-character code are understood as format 4/1. To meet the requirements of the monitoring station, transmission and data format should be selected.

Note: Codes equal to 00 and zero characters are not transmitted to the station.

There are four modes of communication with the monitoring stations:

- transmission to one station;
- simultaneous transmission to two stations (the same events are transferred to both of them);
- transmission to two stations in the SPLIT REPORTING mode (some codes are forwarded to station one and some to station two, with division into message urgency level);
- transmission to station one followed by transmission to station two if station one is not available.

To activate monitoring:

1. program one or two telephone numbers of the monitoring stations (FS13 and FS14),
2. program identifiers (FS15 and FS16),
3. select transmission format (FS17 and FS18),
4. define event codes (FS19 to FS33),
5. specify communication mode (FS5),
6. enable monitoring (FS5),

Note: The dialer automatically discovers incomplete or incorrect data when it leaves the service mode. Errors are signalled by two long sounds. Monitoring is simultaneously disabled in FS5.

4. DIALER OPERATION

4.1 CODES

The dialer programming functions are protected against unauthorised access by codes. User functions may be programmed and reviewed only after the user's code is given. Service functions are available after service code is given.

Codes may contain from 4 to 6 digits. The recording of a code should end with the sign [#].

| | | |
|--------------------------|--------------|--------------|
| Manufacturer's settings: | USER'S CODE | 1234 |
| | SERVICE CODE | 12345 |

Entering the user's code when the device responds to alarm stops forwarding messages by telephone, but does not stop the monitoring.

4.2 KEYPAD

The format of DT-1 keypad is typical for telephones. Letters placed on keys facilitate the programming of text messages for pager systems. During data programming, [#] is used for accepting, and [*] stops programming. The use of keys is confirmed by a sound signal.

4.3 STATUS DISPLAY (LIGHT-EMITTING DIODES - LEDs)

The dialer display comprises four LEDs, which indicate the dialer status:

- 4) **BUSY** - busy telephone line,
- 3) **LINE** - signal monitor on telephone line (diode is on when tone is heard),
- 2) **REPORT** - message forwarding,
- 1) **TROUBLE** - error identification.

When the dialer is being programmed, LEDs show the current value of the programmed parameters (in binary code, in consistence with the code table from chapter PROGRAMMING - USER FUNCTIONS). Diode number (4,3,2,1) located by diode name shows which key is used for the changing of diode status (on/off) during the programming of bit functions.

4.4 SOUND SIGNALS

During program operations, the dialer emits sound signals, which have the following meaning:

- one short sound (🔊 •) - key approved,
- two short sounds (🔊 ••) - function number or character in function program approved,
- three short sounds (🔊 •••) - function program completed,
- two long sounds (🔊 — —) - erroneous keypad data entered, [*] key used for canceling, or dialer restarted after power failure,
- four short sounds (🔊 •••• —) - programming or service mode switched followed by one long sound on/off, or error code display ended.

4.5 TROUBLES

The dialer signals the discovery of troubles through the TROUBLE LED. Pressing the [*] key will result in the consecutive display of two trouble type indicators.

When [*] is pressed for the first time (which is signaled by one short sound signal) the first trouble set will be displayed:

BUSY..... no voltage on the telephone line,
 LINE..... no answer tone from exchange,
 REPORT..... beep signal after connection,
 TROUBLE..... incorrect confirmation tones from the monitoring station.

When [*] is pressed for the second time (two short sound signals) the second trouble set will be displayed:

BUSY..... no connection with the monitoring station,
 LINE..... error in the reading from the microprocessor system memory,
 REPORT..... event buffer memory overloaded in the first monitoring station,
 TROUBLE..... event buffer memory overloaded in the second monitoring station.

After pressing [*] for the third time (there will be a series of signals - four short ones and one long signal) you will leave the trouble review function.

5. PROGRAMMING - USER FUNCTIONS

User functions are available only after the programming mode is activated by **user's code** finished with the [#] key. To confirm that the programming mode has been activated, the dialer will generate four short sounds and one long sound signal and the TROUBLE LED will start flashing.

To enter the particular functions, press the key with the function number and [#] (TROUBLE LED will stop flashing).

Note: *If none of the keys is pressed within 120 seconds, the dialer leaves the user programming mode. To leave the programming mode immediately, select function 0.*

FUNCTION 1 - PROGRAMMING OF TELEPHONE NUMBER 1

FUNCTION 2 - PROGRAMMING OF TELEPHONE NUMBER 2

FUNCTION 3 - PROGRAMMING OF TELEPHONE NUMBER 3

FUNCTION 4 - PROGRAMMING OF TELEPHONE NUMBER 4

FUNCTION 5 - PROGRAMMING OF TELEPHONE NUMBER 5

FUNCTION 6 - PROGRAMMING OF TELEPHONE NUMBER 6

Functions F1 to F6 program telephone numbers to which the dialer is to forward messages. Each number may be composed of the maximum of 16 digits. Apart from digits, telephone number may contain command codes controlling the dialing process.

[*][0] code **A** - end of telephone number

[*][1] code **B** - switch to pulse dialing

[*][2] code **C** - switch to tone dialing

[*][3] code **D** - additional waiting for the signal from exchange

[*][4] code **E** - short break (3 seconds)

[*][5] code **F** - long break (10 seconds)

During the programming of a telephone number, LEDs display the binary code of the digit or character, which is being programmed at a given moment. By pressing [#], the value shown is approved. The dialer will show another digit of the number.

When programming a new telephone number, each digit should be confirmed by [#]. To program codes A to F, enter [*] and [digit], and confirm your choice by pressing the [#] key.

DISPLAY CODES

| Digit programmed | | 0 | 1 | 2 | 3 | 4 | 5 | 6 | 7 | 8 | 9 | A | B | C | D | E | F |
|------------------|---------|---|---|---|---|---|---|---|---|---|---|----|----|----|----|----|----|
| Programming | | 0 | 1 | 2 | 3 | 4 | 5 | 6 | 7 | 8 | 9 | *0 | *1 | *2 | *3 | *4 | *5 |
| LED status | BUSY | ○ | ○ | ○ | ○ | ○ | ○ | ○ | ○ | ⊙ | ⊙ | ⊙ | ⊙ | ⊙ | ⊙ | ⊙ | ⊙ |
| | LINE | ○ | ○ | ○ | ○ | ⊙ | ⊙ | ⊙ | ⊙ | ○ | ○ | ○ | ○ | ⊙ | ⊙ | ⊙ | ⊙ |
| | REPORT | ○ | ○ | ⊙ | ⊙ | ○ | ○ | ⊙ | ⊙ | ○ | ○ | ⊙ | ⊙ | ○ | ○ | ⊙ | ⊙ |
| | TROUBLE | ○ | ⊙ | ○ | ⊙ | ○ | ⊙ | ○ | ⊙ | ○ | ⊙ | ○ | ⊙ | ○ | ⊙ | ○ | ⊙ |

⊙ - LED on ○ - LED off

Using the table above, it is possible to read the entire number which has been programmed (including command codes) by entering the programmed number function

([7][#]), the dialer generates a short sound and starts the recording of the first message. After approximately 8 seconds there is a break in the recording, the dialer generates two short sounds and starts the recording of the second message. After another 8 seconds the recording is finished and the dialer generates three short sounds, signaling the end of the function operation.

FUNCTION 8 - MESSAGE CONTROL

To listen to your message, plug in headphones with a Mini Jack to the REPORT OUT socket. Then select function [8], while being in the user's function programming mode. After pressing [#], you will hear the message through the headphones (16 seconds). Three short sounds will signal the end of the message.

If the two-message mode has been selected (two shorter messages lasting for 8 seconds each), the dialer will play them one by one, separating them with two short sounds and will finish the function with three short sounds.

FUNCTION 9 - CHANGE OF USER'S CODE

User's code may contain from 4 to 6 digits. Manufacturer's setting (1234) may be changed with the help of this function.

Programming is very simple: after selecting the function, give the new code and press [#].

EXAMPLE - the programming of code 2468:

| | |
|-------------------|---|
| [USER'S CODE] [#] | - give the old code to enter the programming mode, |
| [9][#] | - activate the code programming function, |
| [2][4][6][8] | - give your new code, |
| [#] | - end the programming of the new code, |
| [0][#] | - leave the programming mode. From now on the new user's code will be used. |

Note: Examples for functions 7 and 9 assumed that the dialer is not in the programming mode and that it is necessary to leave the mode after finishing a given function. In normal conditions it is sufficient to enter the programming mode once only and select all the required functions without the need to leave the programming mode after each of them.

FUNCTION 0 - LEAVING THE USER'S PROGRAMMING MODE

This function makes it possible for the user to leave the programming mode immediately.

6. PROGRAMMING - SERVICE FUNCTIONS

Service functions are used for the programming of important technical parameters, which should not be changed by the user. Service code containing from 4 to 6 digits protects against unauthorized access to programming. Manufacturer's service code is 12345.

Quoting service code and pressing [#] results in the activation of the service mode. In this mode, the dialer waits for the function number.

Service mode is signaled by short sounds, which are repeated approximately every 4 seconds.

Functions from FS2 to FS8 and FS38 and FS39 define the operation of the dialer. After entering any of the above functions, LEDs on show which functions are on. The programming consists in the switching on or off of the appropriate LEDs by pressing

digit key with the LED number. After all options are set in a given function, confirm the settings by pressing [#]. Functions from FS15 to FS33 are used for the programming of data connected with the monitoring.

FS0 - LEAVING THE SERVICE MODE

In contrast to the user programming mode, service mode does not automatically switch off if keys are not pressed. To leave service mode, press function 0.

FS1 - CHANGE OF SERVICE CODE

Service code is programmed in the same way as user's code.

EXAMPLE: change of service code to 456789 (service mode is already on):

[1][#] - select the function
 [4][5][6][7][8][9] - enter digits making the code
 [#] - end of code recording - leave the function

FS2 - INPUT OPTIONS

| LED | | Option | Control key |
|---------|-----|--|-------------|
| BUSY | on | ALARM input reacts to short to ground | 4 |
| | off | ALARM input reacts to separation from ground | |
| LINE | on | ARMED input reacts to short to ground | 3 |
| | off | ARMED input reacts to separation from ground | |
| REPORT | on | AUX input reacts to short to ground | 2 |
| | off | AUX input reacts to separation from ground | |
| TROUBLE | on | ALARM input reacts after 0.1 second | 1 |
| | off | ALARM input reacts after 1 second | |

FS3 - PHONING OPTIONS (PART I)

| LED | | Option | Control key |
|---------|-----|---|-------------|
| BUSY | on | dialing disabled (does not apply to monitoring) | 4 |
| | off | dialing enabled | |
| LINE | on | tone dialing * | 3 |
| | off | pulse dialing * | |
| REPORT | on | message play time: 32 seconds | 2 |
| | off | message play time: 16 seconds | |
| TROUBLE | on | AUX input also activates forwarding messages by telephone | 1 |
| | off | AUX input only sends messages to the monitoring station | |

Notes:

- Option 3 (marked with *) defines the basic dialing mode. The dialer starts the dialing in accordance with the setting of this option. If a part of the number is to be dialed according to one standard, and the remaining part according to another, set the basic dialing mode as the one required for the first part of the number, and enter a command to switch to the other standard in the telephone number.
- When the dialer operates in the mode with one 16-second message, the lighting of LED 2 will result in the message being played twice. In the two-message mode (each lasting for 8 seconds) the setting of option 2 will decide whether the message will be played twice (LED 2 off) or four times (LED 2 on).
- Option 1 must be selected (LED 1 on) in the two-message mode.

FS4 - PHONING OPTIONS (PART II)

| LED | | Option | Control key |
|---------|-----|---|-------------|
| BUSY | on | answering external phone calls enabled | 4 |
| | off | answering external phone calls disabled | |
| LINE | on | breakdown sound signal enabled | 3 |
| | off | breakdown sound signal disabled | |
| REPORT | on | telephone exchange answer signal testing disabled | 2 |
| | off | telephone exchange answer signal testing enabled | |
| TROUBLE | on | control of signal after dialing disabled | 1 |
| | off | control of signal after dialing enabled | |

Notes:

- Despite the enabling of option 4, external phone answering function may be inactive, as the status of the ARM input is also important. Before enabling the option, specify after how many rings the dialer is to answer phones (FS12). Detailed description of this function is given in the section "DIALER ANSWERS PHONES".
- The dialer may signal the discovery of a trouble by a sound signal that will be repeated every 4 seconds. Option 3 will disable the function.
- When option 2 is disabled, the dialer dials a number after 5 seconds since "the receiver is picked up". When it is enabled, dialing starts after the dialer receives the continuous tone of the telephone exchange. If due to non-continuous signal the dialer is unable to dial, an error is reported.
- Option 1 controls the telephone answering test. When it is disabled, the dialer sends a message after 16 seconds since the dialing of the number (in the first round after 8 seconds). This option concerns mainly the playing of voice messages. For message forwarding to pagers and for monitoring, the dialer tests telephone answering according to additional criteria (answer tone of the station or the pager system exchange).
- Options 3 from FS3 and 2 and 1 from FS4 also concern monitoring. If after dialing the signals received are not typical and the control of these signals is disabled, the dialer will wait for an answer tone from the monitoring station for 60 seconds. Data will be sent after the station answer tone is correct.

FS5 - MONITORING OPTIONS

The options programmed with the help of this function determine the way in which messages will be forwarded to monitoring stations. The appropriate combination of options 3, 2 and 1 will make it possible to obtain the appropriate message forwarding mode. The following options are available:

| LED | | Option | Control key |
|---------|-----|---|-------------|
| BUSY | on | monitoring disabled | 4 |
| | off | monitoring enabled | |
| LINE | on | transmission to two monitoring stations | 3 |
| | off | transmission to one monitoring station | |
| REPORT | on | transmission with event distribution (SPLIT REPORTING) | 2 |
| | off | transmission without event distribution | |
| TROUBLE | on | transmission to station two if station one is unavailable | 1 |
| | off | transmission only to station one | |

Notes:

- Depending on the option, 2 events will be sent to station 1 or station 2, or both of them. When option 3 is on, the status of option 2 does not matter.

- *Transmission with event distribution (option 2) consists in the sending of codes of alarm events to the first monitoring station, and all other codes to the second station.*
- *Option 1 is taken into consideration when option 3 is switched off.*

FS6 - SPECIFICATION OF NUMBERS FOR PAGER SYSTEM (PART I)

| LED | | Option | Control key |
|---------|-----|--|-------------|
| BUSY | on | telephone number 4 to be used for forwarding messages to pager | 4 |
| | off | telephone number 4 to be used for forwarding voice messages | |
| LINE | on | telephone number 3 to be used for forwarding messages to pager | 3 |
| | off | telephone number 3 to be used for forwarding voice messages | |
| REPORT | on | telephone number 2 to be used for forwarding messages to pager | 2 |
| | off | telephone number 2 to be used for forwarding voice messages | |
| TROUBLE | on | telephone number 1 to be used for forwarding messages to pager | 1 |
| | off | telephone number 1 to be used for forwarding voice messages | |

Note: *For numbers selected in this function, the dialer automatically tests signals from the telephone line after dialing the number in order to discover answer tones from the pager system centre (also when analysis of dial signals is disabled - option 1 in FS4). After receiving the correct dialing tone, the message recorded in the dialer memory is sent. The other numbers may be given for pager by FS39.*

FS7 - DISABLING USER FUNCTIONS (PART I)

| LED | | Option | Control key |
|---------|-----|---|-------------|
| BUSY | on | user function 4 disabled | 4 |
| | off | user may change the telephone number programmed by function 4 | |
| LINE | on | user function 3 disabled | 3 |
| | off | user may change the telephone number programmed by function 3 | |
| REPORT | on | user function 2 disabled | 2 |
| | off | user may change the telephone number programmed by function 2 | |
| TROUBLE | on | user function 1 disabled | 1 |
| | off | user may change the telephone number programmed by function 1 | |

FS8 - DISABLING USER FUNCTIONS (PART II)

| LED | | Option | Control key |
|---------|-----|---|-------------|
| BUSY | on | keypad disabled when ALARM | 4 |
| | off | keypad enabled regardless of ARMED status | |
| LINE | on | user may not change the message programmed by F7 | 3 |
| | off | user may change the message programmed by F7 | |
| REPORT | on | user function 6 disabled | 2 |
| | off | user may change the telephone number programmed by function 6 | |
| TROUBLE | on | user function 5 disabled | 1 |
| | off | user may change the telephone number programmed by function 5 | |

Note: *It is possible to disable the dialer keypad for the time when the alarm system is on. To do so, supply the signal informing about the system activation to ARM input and activate option 4.*

FS9 - PROGRAMMING OF THE REAL TIME CLOCK

It is necessary to set the clock if the dialer is to phone the monitoring station to carry out standard transmission test. Time is programmed in the sequence hours: minutes. Confirm each digit by pressing [#].

EXAMPLE: programming of 12:45 (service mode is already on):

[9][#] - select function,

| | |
|--------|--|
| [1][#] | - enter the first hour digit, |
| [2][#] | - enter the second hour digit, |
| [4][#] | - enter the first minute digit, |
| [5][#] | - enter the second minute digit; leave the function after pressing [#] |

Note: During the programming, LEDs show (in binary code) the subsequent digits of the current dialer time.

FS10 - SETTING TIME FOR THE SENDING OF A TEST CODE TO STATION

The dialer may send the test code to the monitoring station every day at the same time. Function FS10 makes it possible to set the time at which the test is to be sent.

If you enter a digit, which is not customary to the clock (e.g. 99:99), you will disable the test code sending function. Programming is the same as for function FS9.

FS11 - THE NUMBER OF DIALING ROUNDS AND CONNECTION ATTEMPTS IN A ROUND

This function programmes the following two parameters ruling the effectiveness of message forwarding (dialing):

- **number of dialing rounds** - from 1 to 9 (the more the bigger chance for successful connection). Selecting 0 disables the message forwarding function.
- **number of connection attempts in a round** (from 1 to 9) - if zero is entered, four connection attempts will be made automatically. This parameter has been introduced to prevent blocking the line by continuous dialing of an inaccessible number (when no one answers the telephone or if the dialer receives busy tone all the times, etc.).

Programming consists in entering two digits one after the other and confirming each of them by pressing [#]. **The first digit will stand for the number of dialing rounds and the second one for the number of dialing attempts if there is no connection.**

EXAMPLE: programming of 2 dialing rounds and 3 connection attempts for each round (service mode is already on):

| | |
|-----------|---|
| [1][1][#] | - select function, |
| [2] | - give the number of rounds, |
| [#] | - confirm digit one, |
| [3] | - give the number of dialing attempts in each round, |
| [#] | - confirm digit one - you will then automatically leave the function. |

Note: The number of rounds must be bigger than 0 in order for the message forwarding to be effective.

FS12 - NUMBER OF RINGS BEFORE ANSWERING

This function specifies after how many rings the dialer answers phones, providing information on alarm system status. Programming is as for function 11. Programming zero disables the telephone answering function.

Note: If there are devices such as answering system or fax connected to the line behind the dialer, program a smaller number of rings for dialer than for the other devices.

FS13 - PROGRAMMING OF THE TELEPHONE NUMBER OF THE FIRST MONITORING STATION

FS14 - PROGRAMMING OF THE TELEPHONE NUMBER OF THE SECOND MONITORING STATION

These functions determine the telephone numbers of the monitoring stations to which information on events taking place in the system is to be forwarded.

The programming of the numbers is the same as for user functions (see description of functions F1 to F6).

FS15 - PROGRAMMING OF IDENTIFIER FOR THE FIRST MONITORING STATION

FS16 - PROGRAMMING OF IDENTIFIER FOR THE SECOND MONITORING STATION

Identifier is the identification number of the alarm system communicating with the monitoring station. It may be composed of three or four characters (from 1 to F HEX), without zeros in the middle. A three-digit identifier has to be finished with zero (as the fourth character).

EXAMPLE: programming of identifier 1F30

- [1][5][#] - select function (LEDs will show the code of the first identifier digit),
- [1] - enter the first digit of the new identifier (1 will be shown on LEDs),
- [#] - accept the first digit of the new identifier (LEDs will show the code of the second identifier digit),
- [*][5][#] - enter code "F" - the second digit of the new identifier,
- [3][#] - enter the third digit of the identifier,
- [0][#] - enter the fourth digit of the identifier (after pressing [#] you will leave the function).

FS17 - SELECTION OF TRANSMISSION FORMAT FOR THE FIRST MONITORING STATION

FS18 - SELECTION OF TRANSMISSION FORMAT FOR THE SECOND MONITORING STATION

Transmission format should be agreed with the operators of the monitoring station. If possible, use the fastest formats (7-Ademco Exspress as DTMF is the fastest; in pulse formats 6-Radionics 2300 with parity is the fastest and 0-Silent Knight the slowest; "extended" formats are almost twice slower).

Enter one character from the range 0 to C, as described below. Confirm your selection by pressing [#].

TRANSMISSION FORMATS:

- 0** - Silent Knight, Ademco slow (1400Hz/10Bps)
- 1** - Sescoa, Franklin, DCI, Vertex (2300Hz/20Bps)
- 2** - Silent Knight fast (1400Hz/20Bps)
- 3** - Radionics 1400Hz
- 4** - Radionics 2300Hz
- 5** - Radionics with parity 1400Hz
- 6** - Radionics with parity 2300Hz
- 7** - Ademco Express (DTMF)
- 8** - Silent Knight, Ademco slow, extended
- 9** - Sescoa, Franklin, DCI, Vertex, extended
- A** - Silent Knight fast, extended
- B** - Radionics 1400Hz, extended
- C** - Radionics 2300Hz, extended

FS19 - ALARM CODE PROGRAMMING

This function defines the code to be sent to the station when the ALARM input records "alarm" status (alarm status is defined by the option in FS2).

EXAMPLE: programming of a code equal to 13 (service mode is already on)

- [1][9][#] - select function,
- [1][#] - enter the first code character,
- [3][#] - enter the second code character (after pressing # you will leave the function).

FS20 - ALARM RESTORE CODE PROGRAMMING

This function defines the code to be sent to the monitoring station when the ALARM input records the disappearance of the "alarm" status (alarm status is defined by the option in FS2).

FS21 - ARM CODE PROGRAMMING

This function defines the code to be sent to the station when the "on" status signal is delivered to the ARM input (in consistence with the option selected in FS2).

FS22 - DISARM CODE PROGRAMMING

This function defines the code to be sent to the station when the "off" status signal is delivered to the ARM input (in consistence with the option selected in FS2).

FS23 - AUX1 CODE PROGRAMMING

Any function may be ascribed to the AUX input. An additional alarm or control signal may also be supplied to it. The code programmed in this function is sent whenever the status to which the input is to react reaches the input (option in FS2).

FS24 - AUX0 CODE PROGRAMMING

The code programmed in this function is sent whenever the AUX input receives a status, which is opposite to the one to which the input is to react (option in FS2).

FS25 - TRANSMISSION TEST CODE PROGRAMMING

The code programmed in this function is sent whenever the time on the dialer clock is the same as that programmed by the function FS10.

FS26 - TLM TROUBLE CODE PROGRAMMING

Whenever there is an event about which the monitoring station should be informed, the dialer starts dialing the telephone number of the station. When the station is unavailable (e.g. due to busy tone), the dialer will try to make a connection six more times. When all the attempts are unsuccessful, it stops dialing for a minute. After that the cycle is started again. The TLM TROUBLE code is sent as the first one, when the dialer manages to make a connection after such a break.

FS27 - PROGRAMMING OF THE CODE "OVERLOADING OF STATION 1 BUFFER MEMORY"**FS28 - PROGRAMMING OF THE CODE "OVERLOADING OF STATION 2 BUFFER MEMORY"**

When the monitoring station does not reply for a long time, the events are recorded in dialer buffer memory. If the number of events exceeds the buffer memory, the oldest event will be deleted. After establishing connection with the station, and transferring the all events filling the buffer memory, the code "buffer memory overloading" will also be additionally sent.

FS29 - KEYPAD ALARM DEACTIVATION CODE PROGRAMMING

If the dialer forwards messages to numbers programmed by user functions, entering user's code (and pressing #) will stop the process. It is then that the code programmed by this function is sent.

FS30 - PROGRAMMING ACTIVATION CODE PROGRAMMING

This code is sent whenever user programming mode is activated.

FS31 - SERVICE MODE ACTIVATION CODE PROGRAMMING

FS32 - SERVICE MODE LEAVING CODE PROGRAMMING

FS33 - DIALER RESTART CODE PROGRAMMING

This code is sent upon the restarting of the dialer processor system (e.g. after the power is turned on after end of a power failure).

Note: *Event codes should be agreed with the operators of the monitoring station. Programming consists in entering two characters from the range 0 to F. Each character should be confirmed by [#]. For formats 3/1 and 4/1, zero should be entered as the second character. Events with the code 00 (two zeros) will not be sent.*

FS34 - PROGRAMMING MESSAGE "A" TO PAGER SYSTEM

The dialer may forward messages to one of three pager systems, i.e. POLPAGER, TELEPAGE or EASY-CALL. Automatic pager system exchanges forward messages in various ways. That is why it is necessary to get acquainted with the user's guide on a given pager before programming. It is also recommended to carry out a test by sending a message by a dial tone telephone (DTMF).

For example, in order to send the "**ALARM997**" message to POLPAGER, you should press the following keys after connecting the exchange:

| MESSAGE (for POLPAGER system) | KEYS |
|-------------------------------|--------|
| select text mode | [*][*] |
| A | [2][*] |
| L | [5][#] |
| A | [2][*] |
| R | [7] |
| M | [6][*] |
| select numeric mode | [0][#] |
| 9 | [9] |
| 9 | [9] |
| 7 | [7] |
| message end | [#] |

During a response to an alarm, after connecting the exchange of the pager system, the dialer simulates the pressing of keys on the keypad dial.

To program a message, enter codes of the subsequent keys, which should be pressed if the message was sent by phone. Confirm each code by pressing [#] (as during telephone number programming). The dialer is able to store 96 codes.

Notes:

- *digits have codes consistent with their value (from 0 to 9),*
- *the [#] key on the dial is coded as "A" (see: table of monitor codes),*
- *the [*] key on the dial is coded as "B",*
- *a 3-second break is coded as "E",*
- *message programming should be finished with an additional character "F" (which informs the dialer that if the pager system requires a symbol ending a message, it should be programmed as required by the system, and add the end symbol for the dialer).*

EXAMPLE: PROGRAMMING A MESSAGE TO POLPAGER:

| Message | Keys used during the sending of the message by phone | Codes entered to dialer | Keys used in the dialer to enter data |
|--|--|-------------------------|---------------------------------------|
| <i>select text mode</i> | ** | BB | [*][1][#][*][1][#] |
| A | 2* | 2B | [2][#][*][1][#] |
| L | 5# | 5A | [5][#][*][0][#] |
| A | 2* | 2B | [2][#][*][1][#] |
| R | 7 | 7 | [7][#] |
| M | 6* | 6B | [6][#][*][1][#] |
| <i>switch to numeric mode</i> | 0# | 0A | [0][#][*][0][#] |
| 9 | 9 | 9 | [9][#] |
| 9 | 9 | 9 | [9][#] |
| 7 | 7 | 7 | [7][#] |
| <i>message end (information for POLPAGER exchange)</i> | # | A | [*][0][#] |
| <i>message end (for dialer)</i> | | F | [*][5][#] |
| <i>leave programming mode</i> | | | [*][#] |

EXAMPLE: PROGRAMMING A MESSAGE TO TELEPAGE:

| Message | Keys used during the sending of the message by phone | Codes entered to dialer | Keys used in the dialer to enter data |
|---|--|-------------------------|---------------------------------------|
| <i>pager number (e.g. 22357)</i> | 22357 | 22357 | [2][#][2][#][3][#][5][#][7][#] |
| <i>3-second break</i> | | E | [*][4][#] |
| <i>select text mode</i> | #9 | A9 | [*][0][#][9][#] |
| A | 2* | 2B | [2][#][*][1][#] |
| L | 5# | 5A | [5][#][*][0][#] |
| A | 2* | 2B | [2][#][*][1][#] |
| R | 70 | 70 | [7][#][7][#] |
| M | 6* | 6B | [6][#][*][1][#] |
| <i>switch to numeric mode</i> | # | A | [*][0][#] |
| 9 | 9 | 9 | [9][#] |
| 9 | 9 | 9 | [9][#] |
| 7 | 7 | 7 | [7][#] |
| <i>message end (information for POLPAGER)</i> | #* | AB | [*][0][#][*][1][#] |
| <i>message end (for dialer)</i> | | F | [*][5][#] |
| <i>leave programming mode</i> | | | [*][#] |

Note: In the TELEPAGE system, when the pager number is composed of 4 digits, it may be given together with the exchange number. If the number is composed of 5 digits, add 0001 to exchange number (i.e. program 0D98250001A in the user's function), and give pager number at the beginning of the message.

FS35 - PROGRAMMING MESSAGE "A" TO POLPAGER

This function facilitates the programming of messages sent in the POLPAGER system. To program, press keys in the same way as when forwarding a message by a dial tone telephone. The dialer analyses the data entered in exactly the same way as the exchange of the POLPAGER system and after recognizing the end of the message it leaves the function. Entering text is facilitated by letters placed on the dialer keypad dial. The distribution of letters is the same for all systems.

In the POLPAGER system, if you want to select a letter located in the centre of a line of letters, press the key bearing the letter. If you want to select the letter on the left, press the key and [*]. If you want to use the letter on the right, press the key and [#].

EXAMPLES:

letter B - press [2]
 letter P - press [7][*]
 letter F - press [3][#]

To have a space between characters in the text mode, press [0], and if you want to use a dash, press [0] and [*].

After selecting the function, the dialer enters the numeric mode. To switch to text mode, enter [*][*], and to switch to numeric mode enter [0][#]. To end the message, press [#] (the dialer has to be in the numeric mode).

EXAMPLE: programming message: PROBLEM - GAS

[3][5][#] - select function (REPORT diode is flashing showing dialer's readiness to accept message),
 [*][*] - switch to text mode
 [7][*] - enter letter **P**
 [7] - enter letter **R**
 [6][#] - enter letter **O**
 [2] - enter letter **B**
 [5][#] - enter letter **L**
 [3] - enter letter **E**
 [6][*] - enter letter **M**
 [0] - enter **space**
 [0][*] - enter **dash**
 [0] - enter **space**
 [4][*] - enter letter **G**
 [2][*] - enter letter **A**
 [7][#] - enter letter **S**
 [0][#] - switch to numeric mode
 [#] - message end (confirmed by three short sounds)

| | | |
|-------------------|-------------------|-------------------|
| Q . Z 1 | A B C 2 | D E F 3 |
| G H I 4 | J K L 5 | M N O 6 |
| P R S 7 | T U V 8 | W X Y 9 |
| * | - _ 0 | # |

FS36 - RESTORATION OF MANUFACTURER'S SETTINGS

This function restores manufacturer's settings. After selecting this function, the dialer waits for a confirmation of your decision to restore settings ([#]) or for your resignation ([*]).

After finishing this function, settings on the dialer will be as follows:

- user's code = 1234,
- service code = 12345,
- telephone numbers not programmed,
- monitoring stations telephone numbers not programmed,
- all monitoring codes equal to zero,
- phoning, answering calls and monitoring disabled,
- message = ALARM-SATEL in the POLPAGER format,
- co-operation with POLPAGER.

EXAMPLE: restoration of manufacturer's settings.

[3][6][#] - select function.
All dialer LEDs are flashing - the dialer waits for confirmation of the function or resignation from the restoration of manufacturer's settings
 [#] - confirm the restoration of manufacturer's settings - the dialer will generate one short sound followed by three short sounds, confirming that manufacturer's settings have been restored.

FS37 - PROGRAMMING PARAMETERS OF THE PAGER SYSTEM STATION SIGNAL

Pager systems have different answer tone signal parameters. The dialer is unable to work with several systems at the same time. This function makes it possible to program the parameters of the signal of the system the dialer is to interact with.

To program the parameters, enter 12 characters describing the parameters of the signal of the selected pager system in consistence with the table below. Every character must be confirmed by [#].

| | | | | | | | | | | | | |
|-----------|---|---|---|---|---|---|---|---|---|---|---|---|
| POLPAGER | 8 | 1 | B | 1 | 5 | 1 | 8 | 1 | 0 | 0 | 4 | 0 |
| TELEPAGE | B | 2 | E | 2 | E | 0 | 4 | 1 | 0 | 3 | A | 3 |
| EASY CALL | 7 | 3 | D | 3 | 7 | 0 | B | 0 | 6 | B | 8 | C |

Note: After the settings are restarted by FS36, the dialer will be prepared to work with POLPAGER. As POLPAGER changed the dialing tone in some station, it is occasionally necessary to program different handshaking signal parameters.

FS38 - TELEPHONING AND MONITORING OPTIONS

| LED | | Option | Control key |
|--------|-----|---|-------------|
| BUSY | on | pulse duty factor 1:1.5 | 4 |
| | off | pulse duty factor 1:2 | |
| LINE | on | resignation from sending the code to the monitoring station after 8 unsuccessful attempts (no answer) | 3 |
| | off | stopping the monitoring for 30 minutes after 8 unsuccessful attempts to send the code (no answer) | |
| REPORT | on | two messages | 2 |
| | off | one message | |

LED 1 (trouble) does not matter.

Note: Selecting the two-message mode (LED 2 on) results in ascribing telephone numbers to message numbers on a permanent basis, as described in the chapter "About DT-1". This work mode also applies to the forwarding of messages to pager systems.

FS39 - ENTERING NUMBERS SELECTED FOR A PAGER SYSTEM (PART II)

| LED | | Option | Control key |
|---------|-----|---|-------------|
| REPORT | on | telephone number 6 for message forwarding through pager | 2 |
| | off | telephone number 6 for voice message forwarding | |
| TROUBLE | on | telephone number 5 for message forwarding through pager | 1 |
| | off | telephone number 5 for voice message forwarding | |

See description of function FS6.

FS40 - PROGRAMMING MESSAGE "B" TO PAGER SYSTEM

FS41 - PROGRAMMING MESSAGE "B" TO POLPAGER

These two functions are used for the programming of the second message to the pager system station if the dialer works in the two-message mode. See description of functions FS34 and FS35.

RESTARTING DIALER

It is possible to select service mode and restore default settings without knowing the service code. In order to do so:

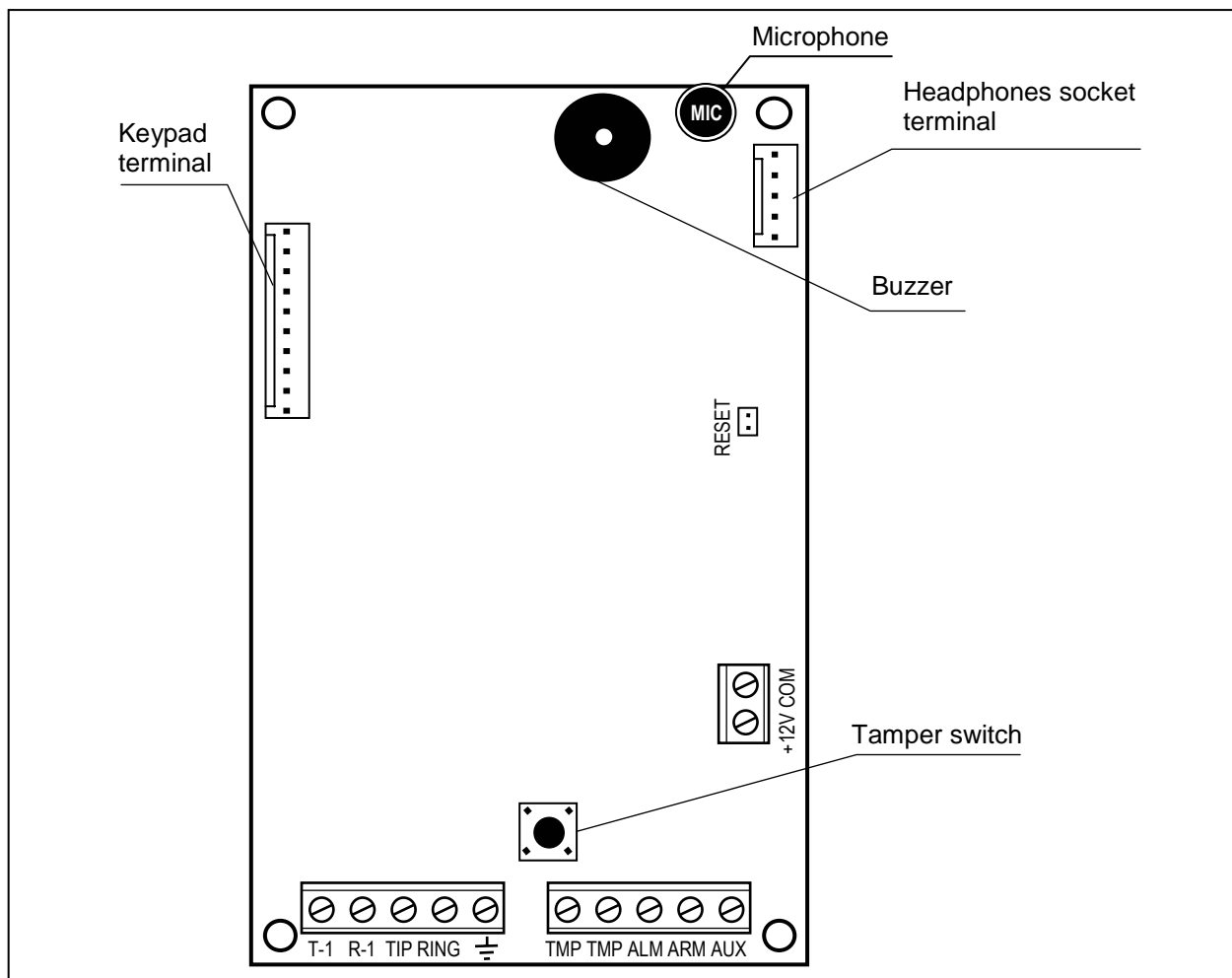
- switch off the power,
- place a jumper on dialer board RESET pins,

- switch on the power (the dialer should confirm activation of the service mode by four short sounds followed by one long sound),
- remove the jumper from RESET pins and select function FS36.

7. TECHNICAL INFORMATION

| | |
|--|---|
| Protection against unauthorised access | two codes defined by user |
| Code length | from 4 to 6 digits |
| User software memory | non-volatile (EEPROM) |
| Voice message memory | integrated synthesiser with non-volatile memory |
| Inputs: ALM (alarm), ARM (on), AUX | low (0) - short to ground high (1) - 5 to 16V or disconnection |
| Input reaction time | approx. 1 second |
| Telephone line | optical insulation |
| Tamper loop TMP input | NC |

ELEMENTS LAYOUT ON THE PCB



TERMINALS

- T-1; R-1 - telephone
 TIP; RING - telephone line
 TMP - tamper circuit

| | |
|------|---|
| ALM | - alarm signal input |
| ARM | - alarm system on signal input |
| AUX | - additional alarm signal input |
| +12V | - power supply |
| COM | - common |
| ⏏ | - protective terminal - ground (connect to protective circuit only) |

TECHNICAL DATA

Power supplyDC 11 to 16V (typical for alarm systems)

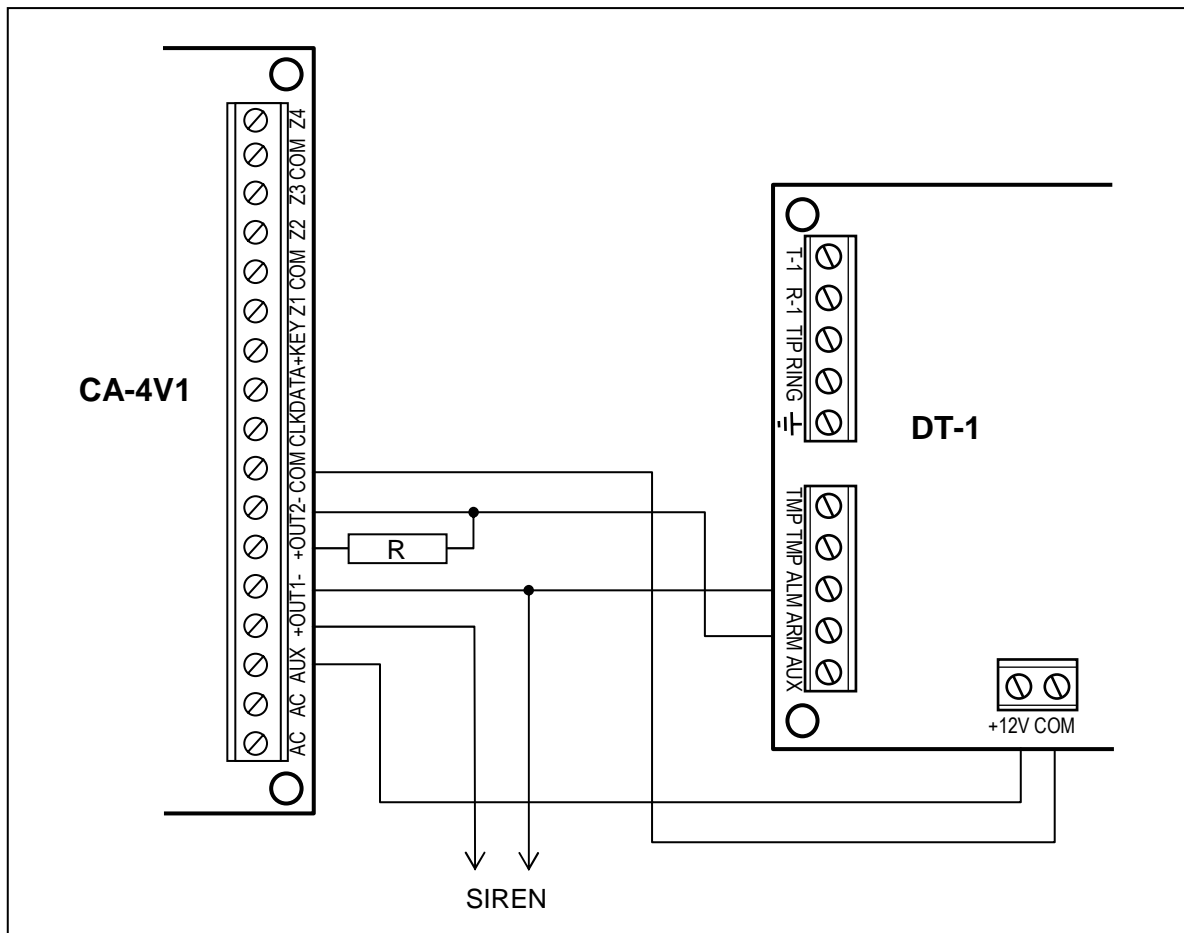
Power consumptionon average 30mA (max. 80mA during phoning)

Dimensions 150X170X35 mm

Weight approx. 0.5 kg

Note: A momentary drop of the dialer supply voltage below 11V (e.g. when testing condition of the battery which is discharged or has not been connected to the dialer supply panel) will restart the dialer operation, which is signaled with two long beeps.

8. EXAMPLE OF DIALER CONNECTION TO CA-4V1 CONTROL PANEL



| CA-4V1 Control Panel | Dialer DT-1 |
|---|---|
| Output programming: function 8: - OUT 2 output informs about the "on" status by "0" (program 000) function 7 - alarm duration (longer than 1 sec.). | Input programming: in service function 2: - ALM input reacts to "0" - ARM input reacts to "0". |

9. LIST OF FUNCTIONS

USER FUNCTIONS

- 1 programming of telephone number 1 |_|_|_|_|_|_|_|_|_|_|_|_|_|_|_|_|
(16 characters, to disable use FS7)
- 2 programming of telephone number 2 |_|_|_|_|_|_|_|_|_|_|_|_|_|_|_|_|
(16 characters, to disable use FS7)
- 3 programming of telephone number 3 |_|_|_|_|_|_|_|_|_|_|_|_|_|_|_|_|
(16 characters, to disable use FS7)
- 4 programming of telephone number 4 |_|_|_|_|_|_|_|_|_|_|_|_|_|_|_|_|
(16 characters, to disable use FS7)
- 5 programming of telephone number 5 |_|_|_|_|_|_|_|_|_|_|_|_|_|_|_|_|
(16 characters, to disable use FS8)
- 6 programming of telephone number 6 |_|_|_|_|_|_|_|_|_|_|_|_|_|_|_|_|
(16 characters, to disable use FS8)
- 7 recording message (this function may be disabled by service function FS8)
- 8 message control
- 9 code programming
- 0 leaving the programming mode

SERVICE FUNCTIONS

- 1 programming service code

bit functions

- 2 input options
 - 4 |_| - ALARM input reacts to 0
 - 3 |_| - ARM input reacts to 0
 - 2 |_| - AUX input reacts to 0
 - 1 |_| - ALARM input reacts after 0.1 sec.
- 3 telephoning options (part I)
 - 4 |_| - disabling
 - 3 |_| - tone dialing
 - 2 |_| - message play time 32s (16s)
 - 1 |_| - AUX input forwards mess. by phone
- 4 telephoning options (part II)
 - 4 |_| - answering phones activated
 - 3 |_| - sound signalling of problems
 - 2 |_| - omit signal test before dialing
 - 1 |_| - omit signal test after dialing tel. no.

- | | | | |
|---|------------------------------------|---|--|
| 5 | monitoring options | 4 | _ - disabling |
| | | 3 | _ - transmission to two monitoring stations |
| | | 2 | _ - event distribution (SPLIT REPORTING) |
| | | 1 | _ - transmission to station 2, when 1 unavailable |
| 6 | telephone numbers to pager systems | 4 | _ - telephone number 4 = pager number |
| | | 3 | _ - telephone number 3 = pager number |
| | | 2 | _ - telephone number 2 = pager number |
| | | 1 | _ - telephone number 1 = pager number |
| 7 | to disable functions 1 to 4 | 4 | _ - to disable user function 4 |
| | | 3 | _ - to disable user function 3 |
| | | 2 | _ - to disable user function 2 |
| | | 1 | _ - to disable user function 1 |
| 8 | to disable functions 5 to 7 | 4 | _ - to disable keypad if ARM |
| | | 3 | _ - to disable user function 7 |
| | | 2 | _ - to disable user function 6 |
| | | 1 | _ - to disable user function 5 |

character functions

- | | | | |
|----|--|-------------------------------|-----------|
| 9 | clock | _ _ _ | |
| 10 | test code sending time | _ _ _ | |
| 11 | no. of rounds and connection attempts in a round | _ _ | (0-9;0-9) |
| 12 | no. of rings before answering | _ | (0-9) |
| 13 | station 1 number (16 characters) | _ _ _ _ _ _ _ _ _ _ _ _ _ _ _ | |
| 14 | station 2 number (16 characters) | _ _ _ _ _ _ _ _ _ _ _ _ _ _ _ | |
| 15 | identifier for station 1 | _ _ _ | |
| 16 | identifier for station 2 | _ _ _ | |
| 17 | transmission format for station 1 | _ | |
| 18 | transmission format for station 2 | _ | |
- | | |
|--|--|
| 0 - Silent Knight,Ademco slow (10 BPS) | 7 - Ademco Express (DTMF) |
| 1 - SESCOA, Franklin, DCI, Vertex (20 BPS) | 8 - Silent Knight,Ademco slow (10 BPS) ext. |
| 2 - Silent Knight fast(1400Hz/20Bps) | 9 - SESCOA, Franklin, DCI, Vertex(20 BPS) ext. |
| 3 - Radionics 1400Hz | A - Silent Knight fast extended |
| 4 - Radionics 2300Hz | B - Radionics 1400Hz extended |
| 5 - Radionics 1400Hz with parity | C - Radionics 2300Hz extended |
| 6 - Radionics 2300Hz with parity | |
- | | | | |
|----|-------------------------------------|-----|-------|
| 19 | ALARM code | _ _ | (*) |
| 20 | ALARM RESTORE code | _ _ | (*) |
| 21 | ARM code | _ _ | (**) |
| 22 | DISARM code | _ _ | (**) |
| 23 | AUX1 code | _ _ | (***) |
| 24 | AUX0 code | _ _ | (***) |
| 25 | transmission test code | _ _ | (**) |
| 26 | TLM TROUBLE code | _ _ | (**) |
| 27 | stat. 1 buffer mem. overload code | _ _ | (**) |
| 28 | stat. 2 buffer mem. overload code | _ _ | (**) |
| 29 | alarm switched off from keypad code | _ _ | (**) |

Note: Do not program additional commands before telephone number. Determine dialing mode and signal test before dialing using the appropriate options. Finish each telephone number with "A".

10. HISTORY OF THE MANUAL UPDATES

The updates below apply to the manual drawn up for the equipment manufactured up to March 2000.

| Date | Description of changes |
|-------------------------|--|
| 2000-03-07 DT-1 | <ul style="list-style-type: none"> • FS38 service function added – options of LEDs 4 and 3 (BUSY and LINE) . • FS11 function is supplemented by another parameter: „<i>Number of dialing attempts in a round</i>“. • A new format of data transmission to the monitoring station is added (FS17 & FS18) i.e. ADEMCO EXPRESS (DTMF) and numeration of the transmission format list is changed. <u>TRANSMISSION FORMATS valid until 07-03-2000.</u> <ul style="list-style-type: none"> 0 Silent Knight, Ademco slow (10 BPS) 1 Sescoa, Franklin, DCI, Vertex (20 BPS) 2 Silent Knight fast 3 Radionics 1400 4 Radionics 2300 5 do not program 6 Radionics 1400 with parity 7 Radionics 2300 with parity 8 Silent Knight, Ademco slow (10 BPS) extended 9 Sescoa, Franklin, DCI, Vertex (20 BPS) extended A Silent Knight fast extended B Radionics 1400 extended C Radionics 2300 extended D do not program E Radionics 1400 with parity extended F Radionics 2300 with parity extended |
| 2001-01-31 DT-1 plus | <ul style="list-style-type: none"> • Ann option to record and send two messages (8 seconds each) has been introduced. • A third option has been introduced to FS38 function (LED 2 option – REPORT). • Service functions added: FS39, FS40 and FS41. |
| 2004-03-15 DT-1 plus | <ul style="list-style-type: none"> • A section on the costs incurred by the dialer user has been added (p. 3). • Information that the reporting function starts only with the ARM zone active, i.e. when the alarm system is armed, has been deleted (p. 4, 6). • The time when the dialer remains in the user function mode without pressing any keys has been changed to 120s (from 40s) (p. 9). • A remark on the dialer restarting has been added (p. 23). |
| 2004-06-15 | <ul style="list-style-type: none"> • An illustration of PCB for laminate in version 3.1 (p.22) |
| 2006-05-12 DT-1 | <ul style="list-style-type: none"> • The earlier symbol of DT-1 device and the new program version number is added on the cover. |

ATTENTION !

An efficient security system does not prevent burglary, assault or fire from happening, however it diminishes the risk that such a situation will cause no alarm or notification. Therefore, the SATEL Company recommends that operation of the whole security system be regularly tested.

SATEL sp. z o.o.
ul. Schuberta 79
80-172 Gdańsk
POLAND
tel. + 48 58 320 94 00
info@satel.pl
www.satel.pl