

The microprocessor-based, fully digital AQUA series detectors feature high sensitivity and interference resistance. A dual pyro electric element is used in the AQUA RING detector.

**TERMINALS:**

- NC** - alarm relay (NC)
- TMP** - tamper contact (NC)
- COM** - ground (0V)
- 12V** - supply input (9-16V DC)

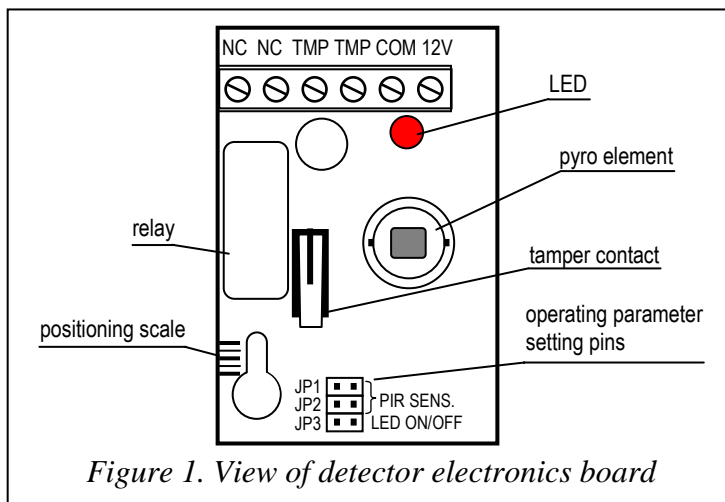


Figure 1. View of detector electronics board

Three pairs of pins are used to set the detector working parameters (see Table)

	JP1	JP2	JP3
Low sensitivity	□ □	□ □	
Medium sensitivity	□ □	■ ■	
	■ ■	□ □	
High sensitivity	■ ■	■ ■	
LED indicator ON			■ ■
LED indicator OFF			□ □

□ □ - pins open      ■ ■ - pins shorted

The LED lights red when the detector is actuated, which enables the installer to check the detector for correct functioning and to approximately determine the protected area.

For 30 seconds after the power is turned on, the detector remains in a starting state, which is signaled by rapid LED blinking. Only then the detector enters its operational readiness state.

The detector monitors the supply voltage. If the voltage drops below 9V (±5%) for more than 2 seconds, the detector will signalize a violation state until a voltage of minimum 9V (±5%) is restored.

## INSTALLATION

The detector is designed for ceiling mount. Prior to installation, remove the electronics board and make adequate openings for screws and cable in the housing.

**Be careful so as not to soil or damage the pyro element in the process of installation.**

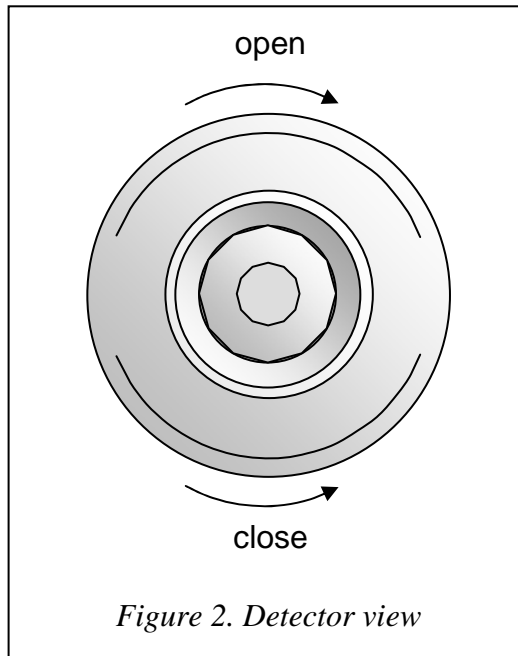
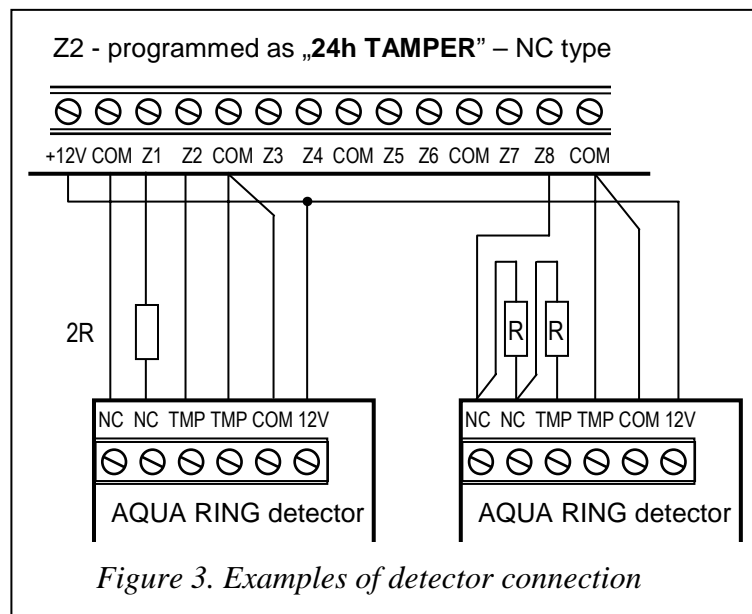


Figure 3 shows typical examples of connecting the detectors in EOL (parameter) configuration and 2EOL (two-parameter) configuration. Resistors should be mounted inside the detector housing.



## TECHNICAL DATA

Nominal supply voltage .....	12V DC
Mean power consumption ( $\pm 10\%$ ) .....	9.5mA
Violation signaling time .....	2s
Protected area:	
when mounted at a height of 2.4m.....	36m <sup>2</sup>
when mounted at a height of 3.7m.....	80m <sup>2</sup>
Operating temperature range .....	-10...+50°C
Detectable motion speed.....	up to 3 m/s
Dimensions .....	Ø97x29mm
Recommended installation height.....	from 2.2m to 4.5m

Latest EC declaration of conformity and product approval certificates can  
be downloaded from our Web site [www.satel.pl](http://www.satel.pl)



SATEL sp. z o.o.  
ul. Schuberta 79  
80-172 Gdańsk  
POLAND  
tel. + 48 58 320 94 00  
info@satel.pl  
www.satel.pl