



OPTICAL-ACOUSTIC
SIGNALING DEVICE
SPL-2030



spl2030_en 09/08

The SPL-2030 optical-acoustic signaling device (siren) is designed for application in the burglary and assault signaling systems. The signaling function is performed in two ways: visually (by blinking of indicator LEDs situated in the lower part of the enclosure) and acoustically (by a modulated high-volume sound signal). As the light source, a set of LEDs is used, whereas the sound signal is generated by means of a piezoelectric transducer. Design of the signaling device housing ensures a high degree of tamper protection (against opening and/or tearing off from the base). The electronic circuit is made by the use of SMD technique and impregnated against the adverse influence of weather conditions, which ensures a high reliability of the device. As the SPL-2030 external housing is made of the PC LEXAN high-impact polycarbonate, it is characterized by a very high mechanical strength, and a nice appearance of the device is guaranteed even after many years of service.

1. Outfit options

The siren can be fitted with additional elements of tamper protection (sold separately), including:

- inner cover of galvanized metal sheet, OM-SPL2000,
- foam detector, SPL-SAB or SPL-TO.

In order to install the SPL-SAB detector, remove the electronics board and unsolder the SMD component (situated underneath the board), designed for shorting the solder points J3 and J4. Next, solder the detector leads to these points and, using a screw, attach the detector to the siren base (so as to cover the opening) and remount the PCB.

2. Installing

The SPL-2030 siren should be mounted on flat vertical surface in inaccessible place in order to minimize tampering possibility. It must be attached to the surface by means of screws and expansion plugs (the screws and expansion plugs are included in the device delivery set).

Note: *Make sure to leave a distance of about 4.5 cm between the upper edge of the signaling device base and the ceiling or another object which limits the mounting position from above. With no gap, mounting of the signaling device external housing may be difficult.*

Explanations for Figure 1:

- 1 – mounting holes
- 2 – auxiliary opening
- 3 – foam detector (option)
- 4 – buzzer
- 5 – cable hole
- 6 – tamper element “S” (should be screwed to the mounting surface; do not apply excessive force, so as not to break the narrowings)
- 7 – water drain holes (make sure they are not stopped)

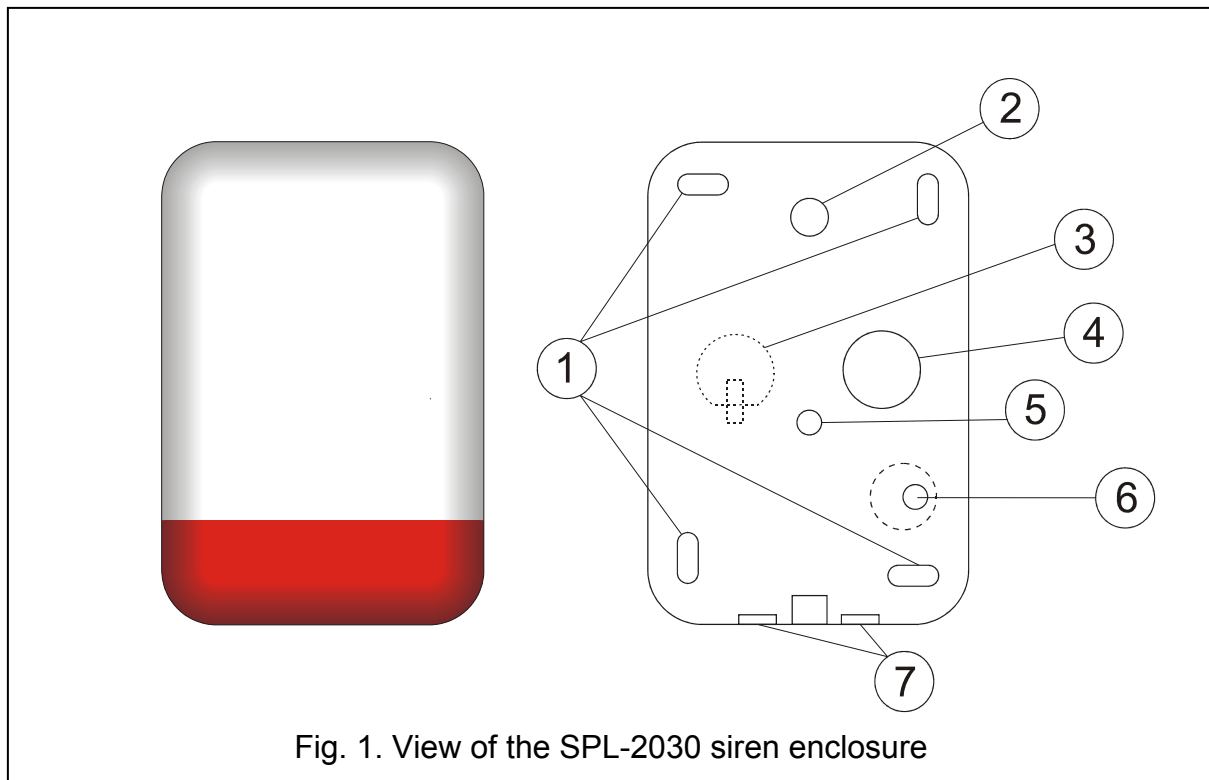


Fig. 1. View of the SPL-2030 siren enclosure

After mounting the siren it is recommended to seal the mounting holes, auxiliary opening, and cable entry hole with silicon rubber paste.

3. Connections

The SPL-2030 signaling device can be used with any equipment which sends 12V DC on output to activate signaling. Connecting +12 V power supply to the "+ SA –" terminals will trigger the acoustic signaling, and to the "+ SO –" terminals - the optical signaling in the SPL-2030 device.

The tamper circuit of the siren will be open on removing the outer enclosure, covering with mounting foam, or detaching the siren from the wall. For the tamper contact to function correctly during pull-off, the "S" element must be screwed to the mounting surface (see Fig. 1).

Connectors "TMP" are designed for connecting into tamper circuit of security system.

By placing jumpers on the **JP1–JP5** pins, you can select one of the three audible signals for alarm signaling.

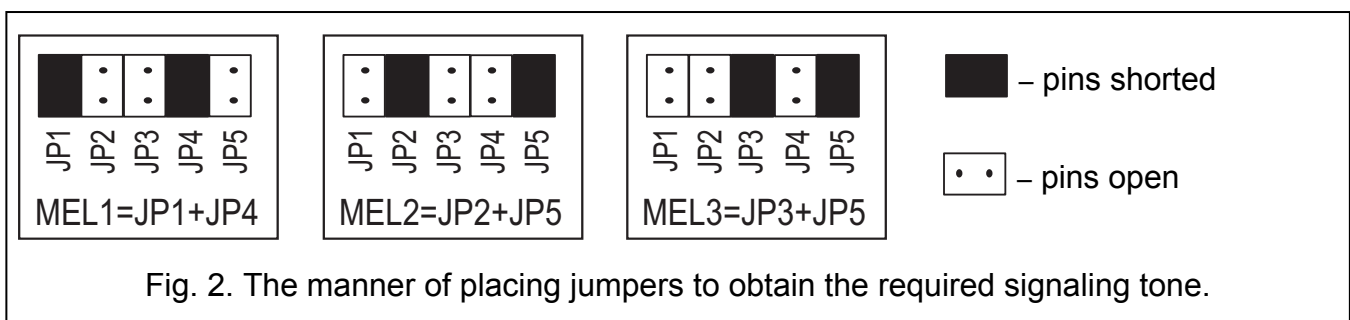
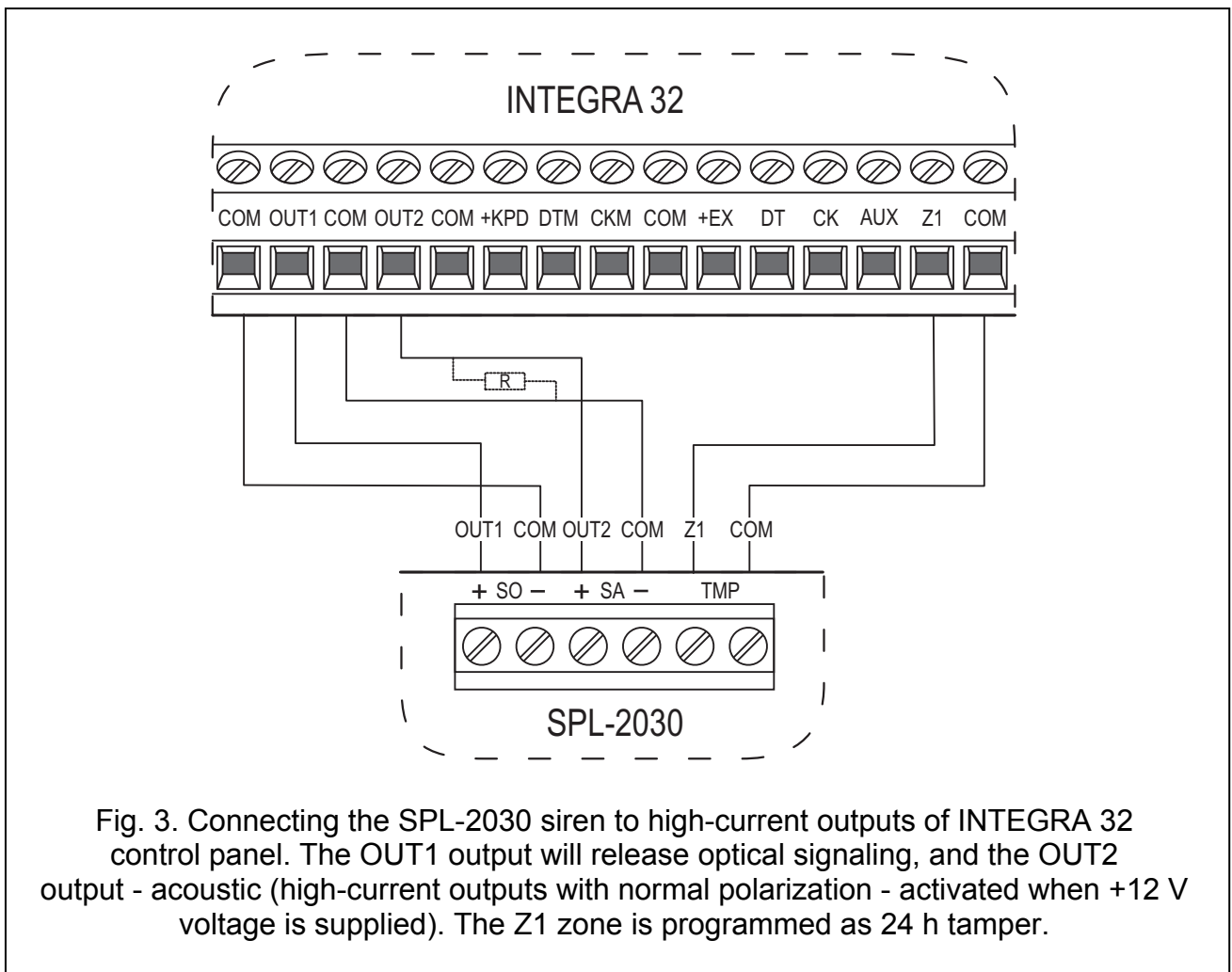


Fig. 2. The manner of placing jumpers to obtain the required signaling tone.

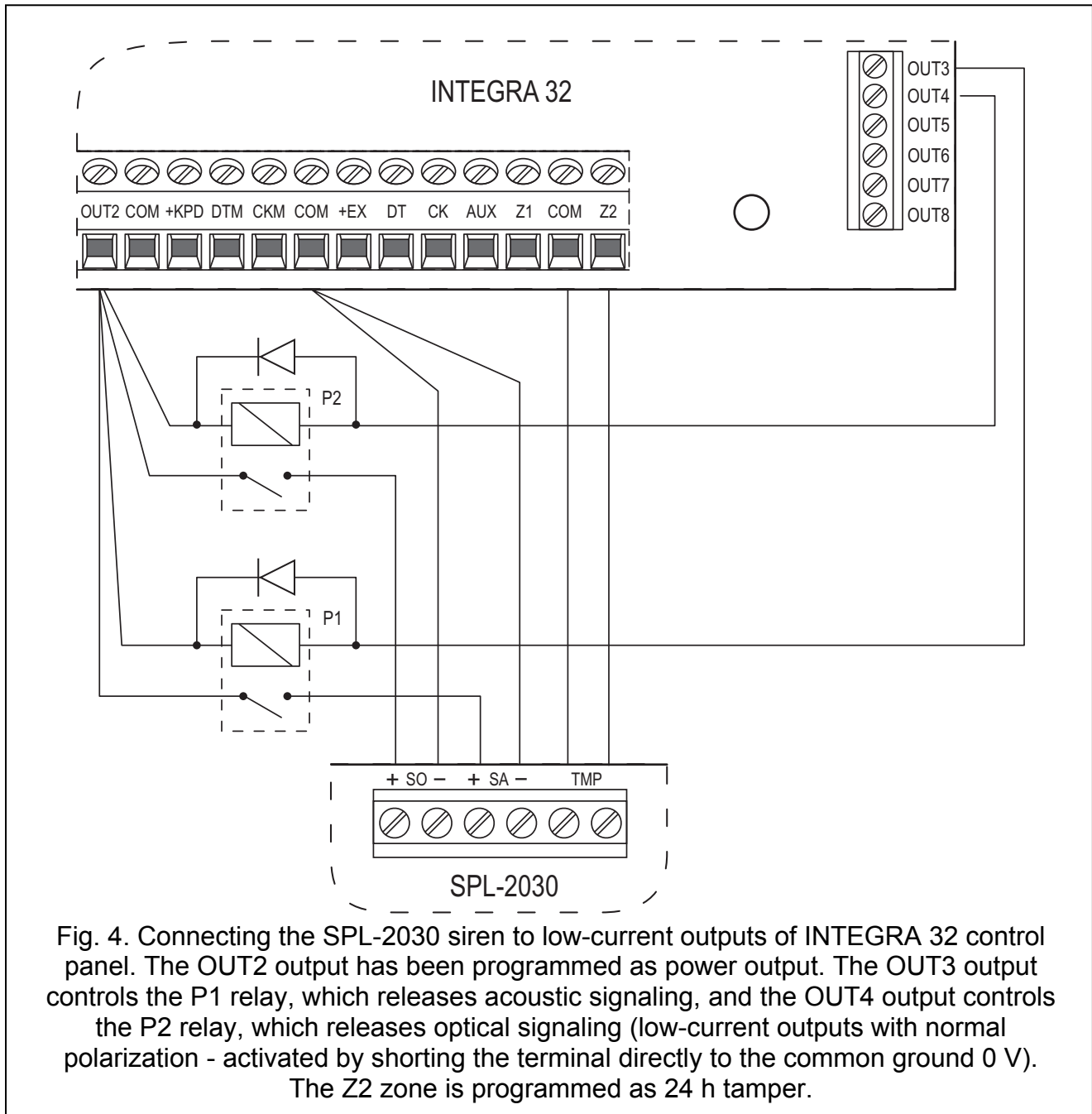


It is possible to control two types of signaling from one output of control panel, by connecting in parallel the terminals +SA to +SO and -SA to -SO.

Note: Some control panels may require connecting a resistor R (approx. $1\text{ k}\Omega$) between the +SA- terminals in the siren. If this resistor is not connected, the siren may emit some low sounds when not alarming.

Description of the terminals:

- +SO-** – optical signaling terminals
- +SA-** – acoustic signaling terminals
- TMP** – tamper circuit terminals



4. Technical data

Nominal power supply.....	12 V DC \pm 20%
Mean current consumption when signaling	
acoustic signaling.....	250 mA
optical signaling	35 mA
Working temperature range	-35...+60 °C
Sound pressure.....	approx. 120 dB
Enclosure dimensions	298x197x90mm
Weight.....	725 g

SATEL sp. z o.o.
ul. Schuberta 79
80-172 Gdańsk
POLAND

tel. (+48 58) 320 94 00
info@satel.pl
www.satel.pl

Latest EC declaration of conformity and
product approval certificates can be
downloaded from our web site www.satel.pl

