

The ASP-205 wireless indoor siren is designed to work as part of the ABAX two-way wireless system. It is supported by the ACU-100 controller with firmware version 1.05 or later.

The source of light in the siren are two sets of LED indicators. The sound signal is generated by means of a piezoelectric transducer. The siren makes it possible to program two different signaling modes for 2 alarm types (e.g. the burglary alarm and the fire alarm), or the independent triggering of optical and acoustic signals. It takes up two positions on the list of wireless devices supported by the ACU-100 controller. The siren is power supplied from a CR123A 3V lithium battery, which ensures approximately two-year operation (provided that the duration of signaling is up to 9 minutes per month).

The housing is made of PC LEXAN high-impact polycarbonate, owing to which it is characterized by a very high mechanical strength. Design of the siren ensures a high degree of tamper protection (against opening and/or pull-off from the mounting surface).

1. Installation



Prior to permanently mounting the siren, check the level of signal received from the siren by the ACU-100 controller and, if necessary, change the place of installation so as to select the optimum location with respect to communication.

Install the battery in the siren just before registering it in the controller. If not registered or lacking communication with the controller, the siren will consume much more energy which will adversely affect the battery life.

The ASP-205 siren can only be used inside the protected facilities.

In order to install the ASP-205 indoor siren in the ABAX system, do the following:

1. Remove the two lock screws from the siren cover and open the housing.
2. Install battery and add the siren to the wireless system (see ACU-100 controller user manual). Placed on the piezoelectric transducer is a sticker with the 7-digit serial number which is to be entered when registering the expander in the system.
3. Select the place where the ASP-205 siren is to be installed. Mount the siren on a flat surface and as high as possible. This will minimize the risk of tamper and, at the same time, will make it possible to obtain a better range of radio communication and avoid the risk of the expander being accidentally covered by personnel moving around the premises. It is advisable that a small gap be maintained between the upper edge of the siren and the ceiling or any other structure to be situated above the siren. Otherwise removal and/or replacement of the cover will be impossible.
4. Check the level of signal received by the controller from the siren. Select another place of installation, if necessary.

5. Having selected the place which ensures the optimum signal level, screw the rear panel of the housing to the mounting surface. Do not forget about the tamper element.
6. Replace the siren cover and secure it with the lock screws.
7. Configure the siren, as required. For information on ASP-205 siren configuration, refer to the ACU-100 controller user manual.

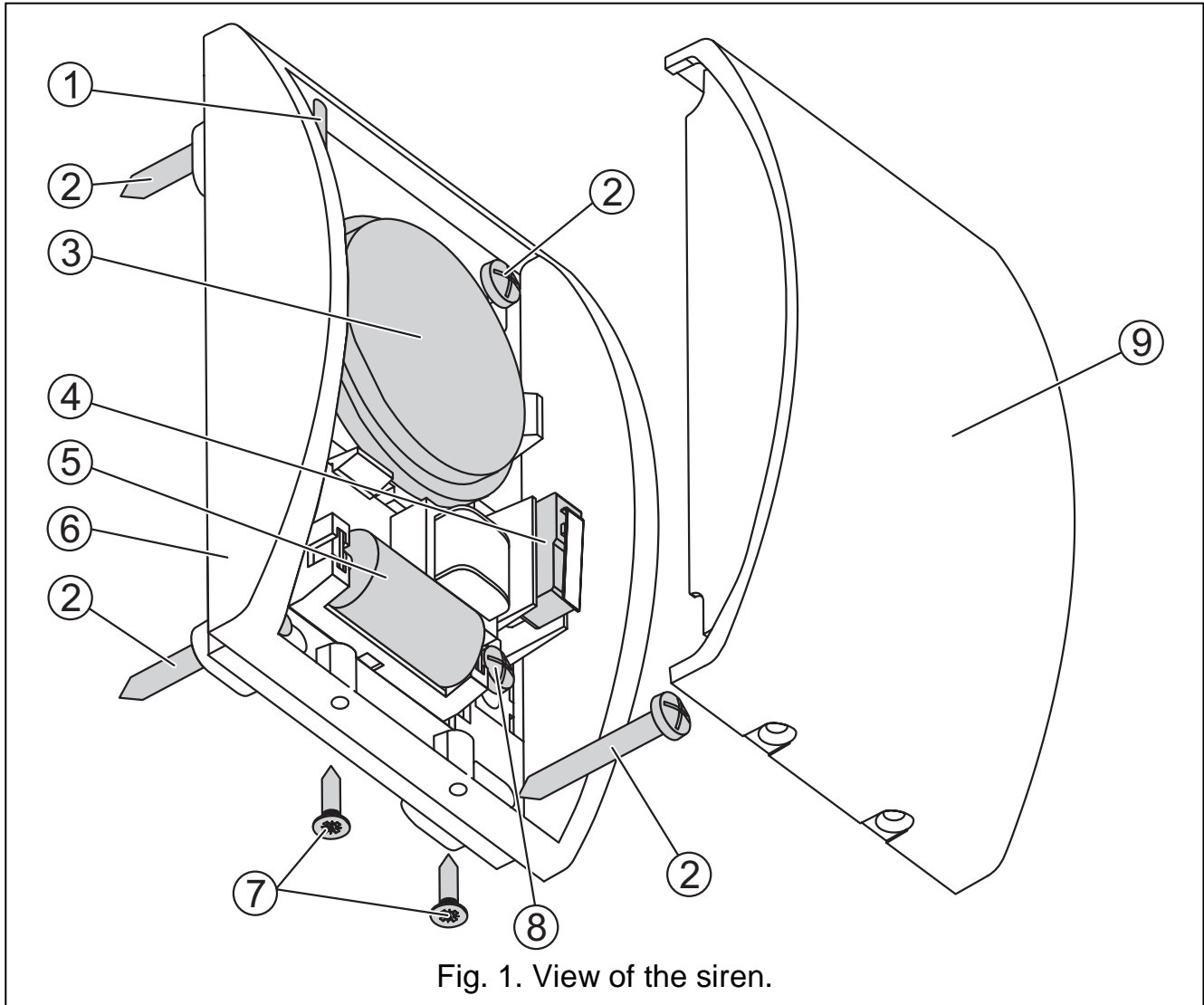



Fig. 1. View of the siren.

Explanations for Fig. 1:

- 1 – antenna
- 2 – screws securing the siren to mounting surface
- 3 – piezoelectric transducer
- 4 – tamper contact
- 5 – battery
- 6 – housing base in which LED sets are installed
- 7 – screws locking the housing cover
- 8 – screw fixing the housing tamper element to mounting surface
- 9 – housing cover

2. Technical data

| | |
|-----------------------------------|---------------------------|
| Working frequency band..... | 868.0MHz ÷ 868.6MHz |
| Range | up to 150m (in open area) |
| Power supply | lithium battery CR123A 3V |
| Life of siren supply battery..... | approx. 2 years |
| Working temperature range..... | 0°C...+55°C |
| Housing dimensions | 87x134x37mm |
| Weight..... | 180g |

| DECLARATION OF CONFORMITY | | CE1471 |
|--|--|---|
| Product: ASP-205 – Indoor siren, ABAX system | Manufacturer: SATEL sp. z o.o. ul. Schuberta 79 80-172 Gdańsk, POLAND tel. (+48 58) 320-94-00 fax. (+48 58) 320-94-01 | |
| Product description: Wireless autonomous indoor siren designed to work together with the ABAX wireless system controller within the 868.0MHz – 868.6MHz frequency band, supplied from 3V lithium cell. The device is intended to be used in burglary/panic alarm systems. | | |
| The product is in conformity with the following EU Directives: R&TTE 1999/5/EC | | |
| The product meets the requirements of harmonized standards: R&TTE: ETSI EN 300 220-1: v.1.3.1; ETSI EN 300 220-3: v.1.1.1 EMC: ETSI EN 301 489-1 V1.6.1; ETSI EN 301 489-3 V1.4.1 Safety: EN60950 | | |
| Notified entity participating in the conformity assessment: Identification No.: 1471 | | |
| Gdańsk, Poland 2007-01-11 | Head of Test Laboratory: Michał Konarski |  |
| The latest EC declaration of conformity and product approval certificates are available for downloading on website www.satel.pl | | |

SATEL sp. z o.o.
ul. Schuberta 79
80-172 Gdańsk
POLAND
tel. + 48 58 320 94 00
info@satel.pl
www.satel.pl