

The SPW-210 indoor siren is designed for operation in break-in and panic signaling systems, as well as in fire alarm systems.

1. Description of Electronics Board

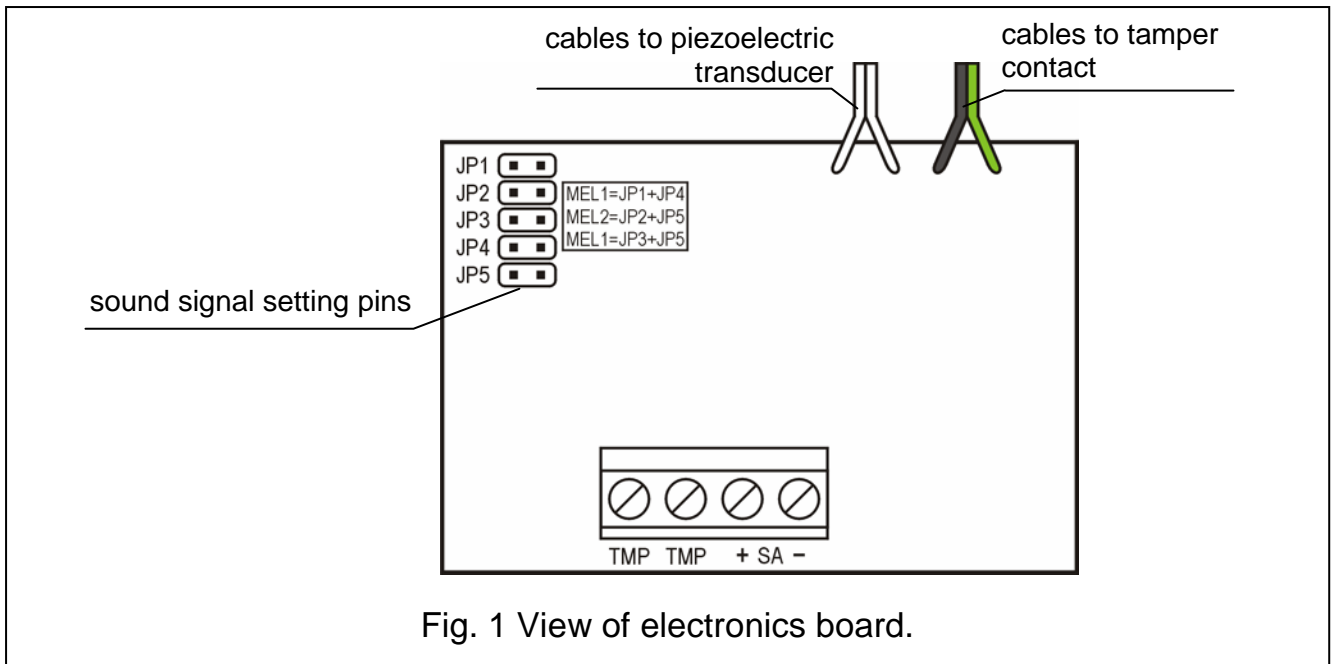


Fig. 1 View of electronics board.

Connect the control signal to the **+ SA -** terminals. The SPW-210 indoor siren can operate with any source of alarm signal on the signaling output of which 12V DC voltage appears in emergency.

Connect the **TMP** terminals to the tamper circuit of the alarm system. The tamper alarm is triggered after opening of the housing or pull-off of the device from the surface.

Set the jumpers on the **JP1 – JP5** pins to select one of the three sound signals for alarm signaling.

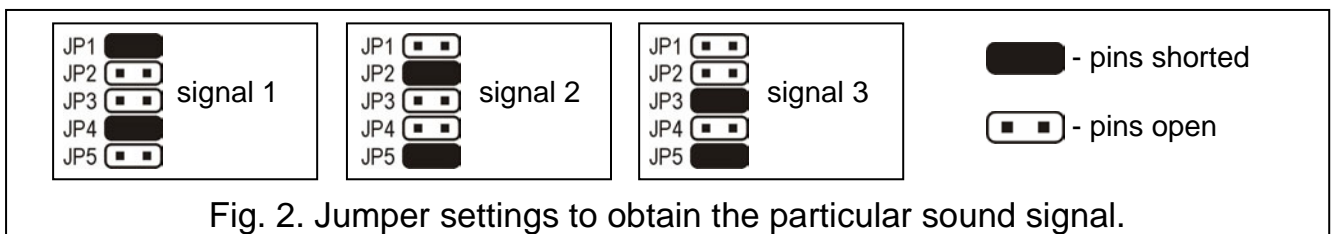


Fig. 2. Jumper settings to obtain the particular sound signal.

2. Installation

The SPW-210 indoor siren may only be used inside the protected facilities. It should be installed on even surface in a possibly hard-to-access place, so as to minimize the risk of tampering. The device should be secured to the surface by means of screws and expansion bolts.

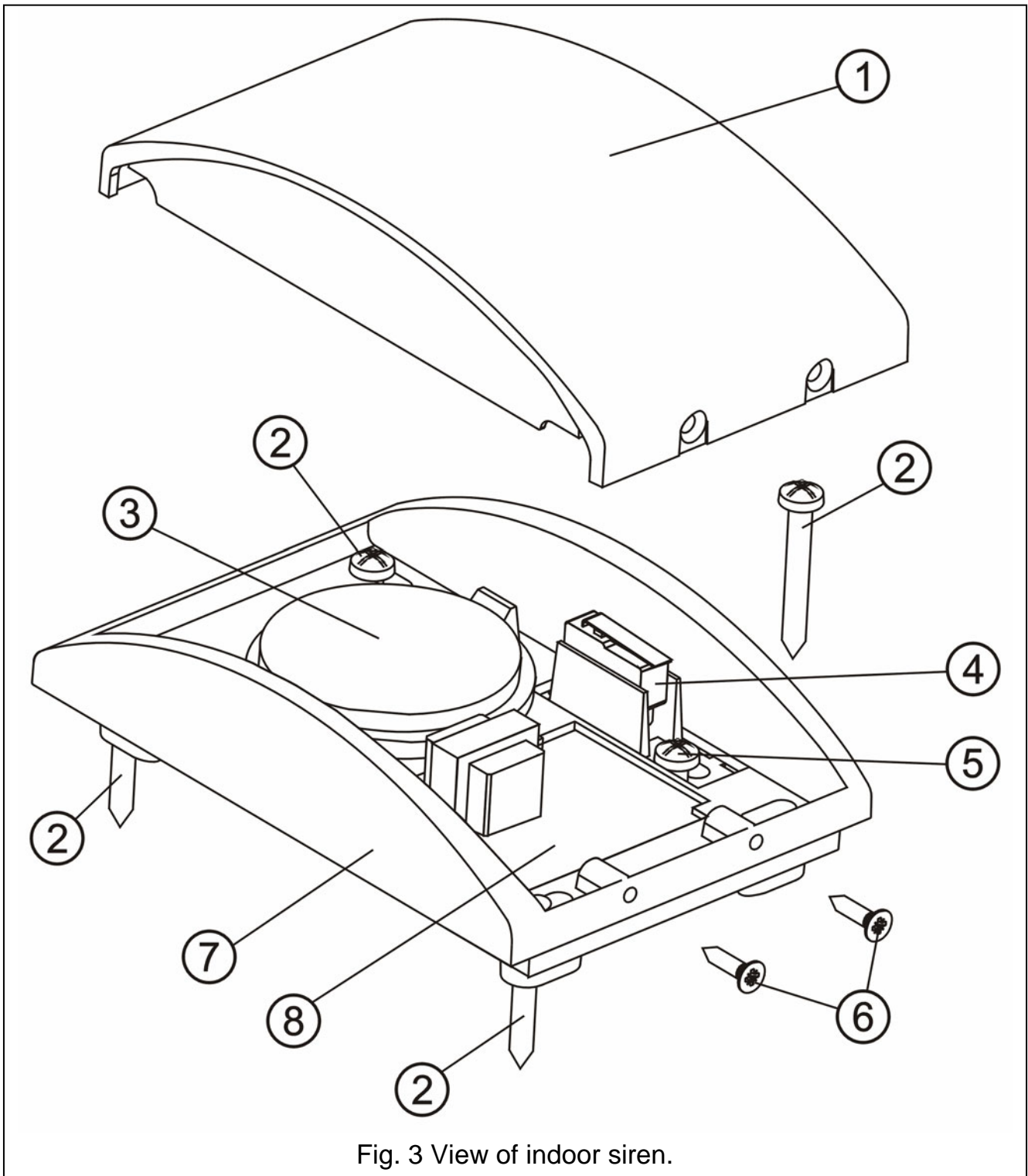


Fig. 3 View of indoor siren.

Explanation:

- 1 – housing cover
- 2 – device mounting screws
- 3 – piezoelectric transducer
- 4 – tamper contact
- 5 – fixing screw for housing tamper element
- 6 – locking screws for housing cover
- 7 – housing base
- 8 – electronics board

3. Technical Data

| | |
|-----------------------------------|------------------|
| Rated supply voltage | 12V DC \pm 15% |
| Maximum current consumption | 85mA |
| Operating temperature range | +5°C...+45°C |
| Housing dimensions | 87x134x37mm |

The latest EC declaration of conformity and certificates are available
for downloading on our website www.satel.pl



SATEL sp. z o.o.
ul. Schuberta 79
80-172 Gdańsk
POLAND
tel. + 48 58 320 94 00
info@satel.pl
www.satel.pl