

### 1. GENERAL

The SPLZ-5010 outdoor siren is designed for application in burglary and panic alarm systems. The signaling function is performed in two ways: **optically** (by lamp blinking) and **acoustically** (with a modulated high-volume sound signal). The source of light is a 5W/12V incandescent lamp, while the sound signal is generated by means of a piezoelectric transducer. Electronic circuit of the siren is made in SMD technology and impregnated against adverse effect of weather conditions, which ensures a high reliability of the equipment. As the outer shell of the SPLZ-5010 is made of PC LEXAN high-impact polycarbonate, it features a very high mechanical strength and guarantees esthetic look of the equipment even after many years of service.

### 2. INSTALLATION

The SPL-5010 siren should be mounted on flat surface, at a place as much inaccessible as possible so that the risk of tampering is minimized. The siren must be attached to the surface by means of screws and expansion plugs. In order to take off the cover, remove the retaining screw and lift it by an angle of approx. 80°. Be particularly careful when dismantling and remounting the inner sheet metal cover.

**Note:** Make sure there is a suitable distance (minimum 2.5 cm) between the upper edge of the siren base and the ceiling or another element restricting the mounting position from the above. Otherwise, replacement of the cover may be impossible.

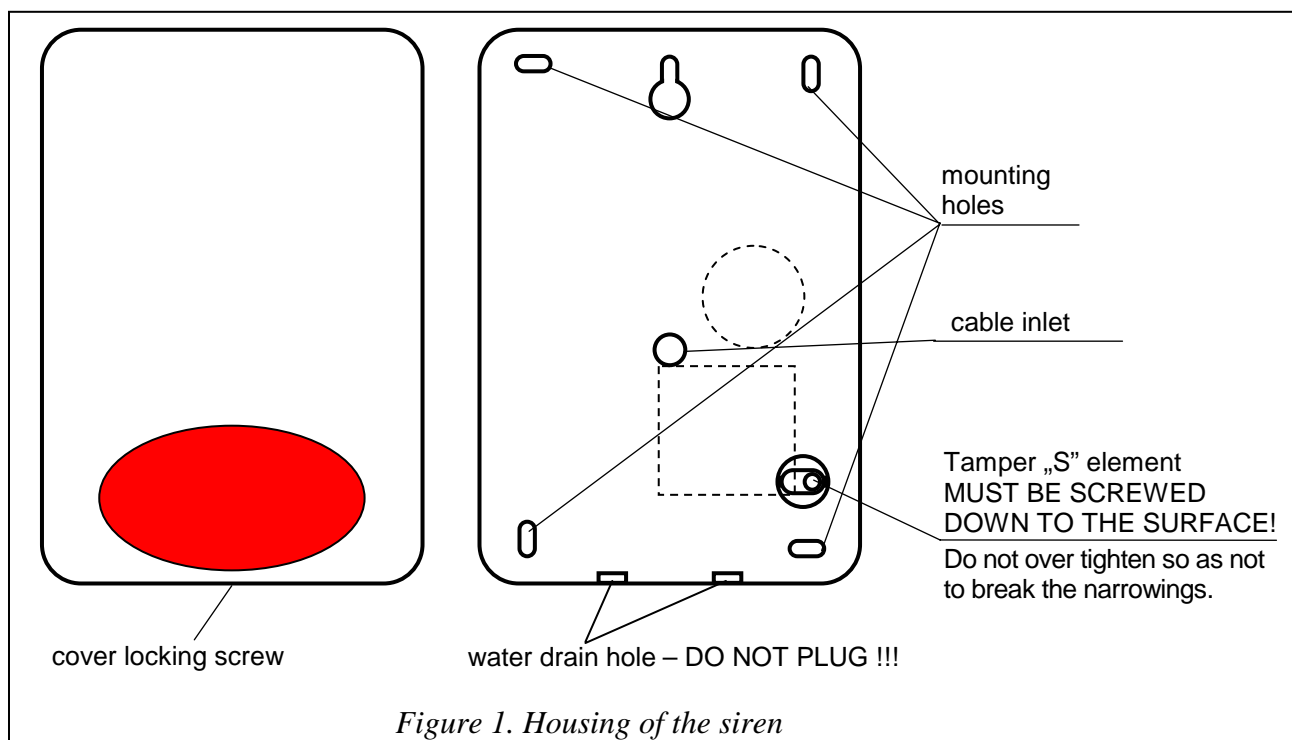


Figure 1. Housing of the siren

After installation of the siren, it is recommended that the mounting holes as well as the cable inlet be sealed by means of silicone compound.

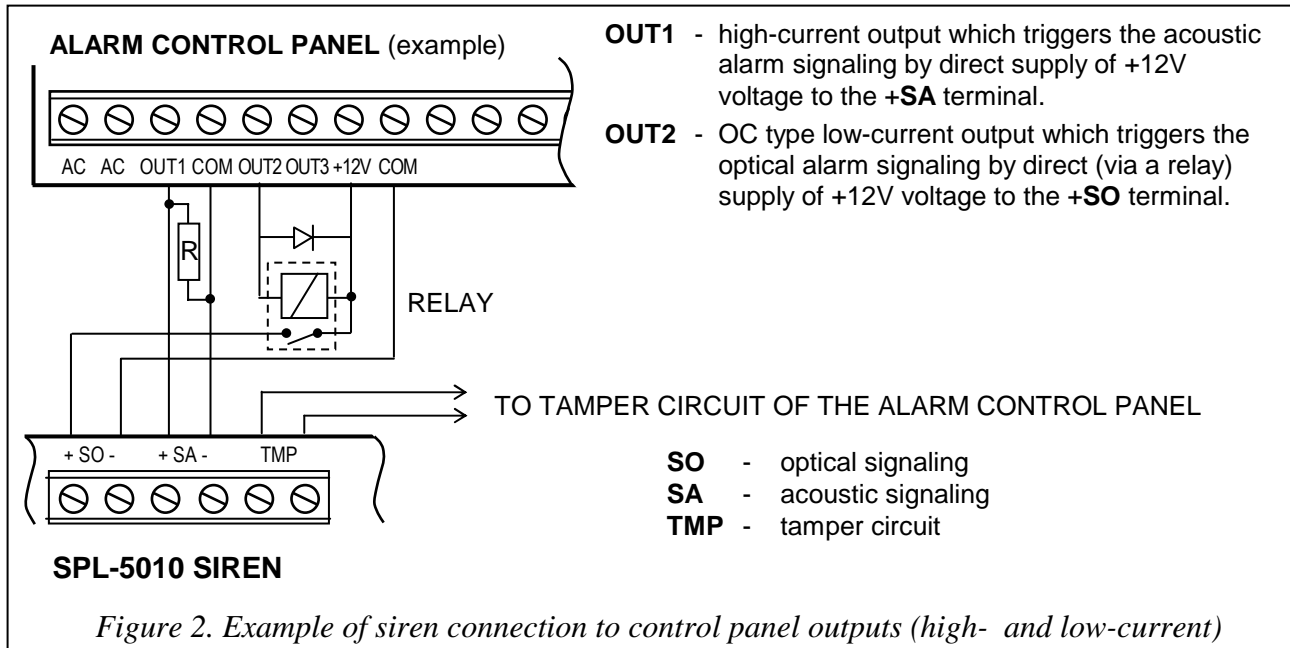
### 3. CONNECTION

The SPL-5010 siren can be used with any source of alarm signal which in emergency situation generates 12V direct voltage on its alarm output(s) or whose output will be shorted to the common ground (0V). The SPL-5010 is equipped with two pair of inputs:

- " + **SA** - " - for activating the acoustic signaling,
- " + **SO** - " - for activating the optic signaling.

Choosing the way of signaling activation you need to remember about the maximum control panel outputs load capacity.

The tamper circuit of the siren reacts to removal of the outer shell as well as pulling the device off the wall. To make the functional test of the pull-off alarm possible, there must be the "S" element screwed down to the surface (Fig. 1).




Terminals SA and SO can be connected parallel ("+" to "+" and "-" to "-") for simultaneous work of acoustic and optical signaling.

Some control panels may require connecting resistor **R** (about 1kΩ) on siren connectors in order to provide siren connection control. If this resistor is not connected, the siren can emit some quiet sounds when not alarming.

### 4. TECHNICAL DATA

Supply voltage, rated .....	12V DC ±15%
Current consumption - acoustic signaling .....	220mA
Current consumption, average - optical signaling .....	350mA
maximum current consumption - optical signaling .....	500mA
average power consumption (parallel feeder connectors) .....	550mA
sound pressure .....	approx. 120dB
operating temperature.....	-30°C - +60°C
dimensions.....	298x197x72mm

SATEL sp. z o.o. ul. Schuberta 79 80-172 Gdańsk POLAND	tel. +48 58 320 94 00 info@satel.pl www.satel.pl	Latest EC declaration of conformity and product approval certificates can be downloaded from our Web site <b>www.satel.pl</b> 
---	--	--