

Sate1[®]

OPTICAL - ACUSTIC
SYGNALING DEVICE
SPL-2030



VERSION 1.3

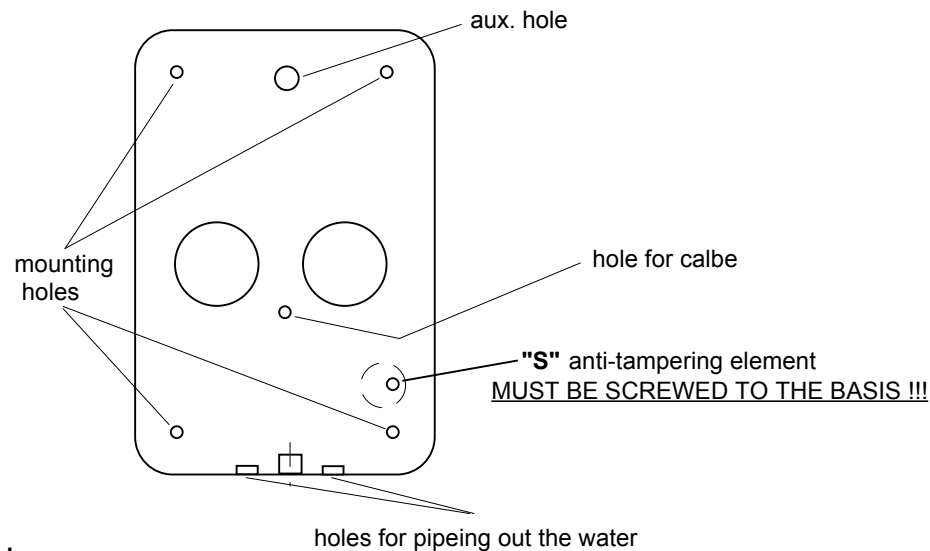
spl2030_e 06/04

The SPL-2030 visual / audible signaling device is designed for application in the burglary and assault signaling systems and/or in the fire alarm systems. The signaling function is performed in two ways: visually (by blinking of a red lamp) and acoustically (by a modulated high-volume sound signal). As the light source, a 5W/12V incandescent lamp is used, whereas the sound signal is generated by means of a piezoelectric transducer. Design of the signaling device housing ensures a high degree of anti-tampering protection (against opening and/or tearing off from the base). The electronic circuit of the signaling device is made by the use of SMD technique and impregnated against the adverse influence of weather conditions, which ensures a high reliability of the device. As the SPL-2030 external housing is made of the PC LEXAN high-impact polycarbonate, it is characterized by a very high mechanical strength, and a nice appearance of the device is guaranteed even after many years of service.

INSTALLING

SPL-2030 should be mounted on flat vertical basis in inaccessible place in order to minimize tampering possibility. The screws, siren should be mounted with are included.

Hook-up diagram:



After mounting the siren it is recommended to seal mounting holes with silicon rubber paste.

NOTE: *Make sure to leave a distance of about 4,5 cm between the upper edge of the signaling device base and the ceiling or another element which limits the mounting position from above. With no gap, mounting of the signaling device external housing may be difficult.*

CONNECTIONS

The signaling device SPL-2030 can operate with any equipment which sends 12V DC on output to activate signaling.

The SPL-2030 is equipped with two pair of inputs:

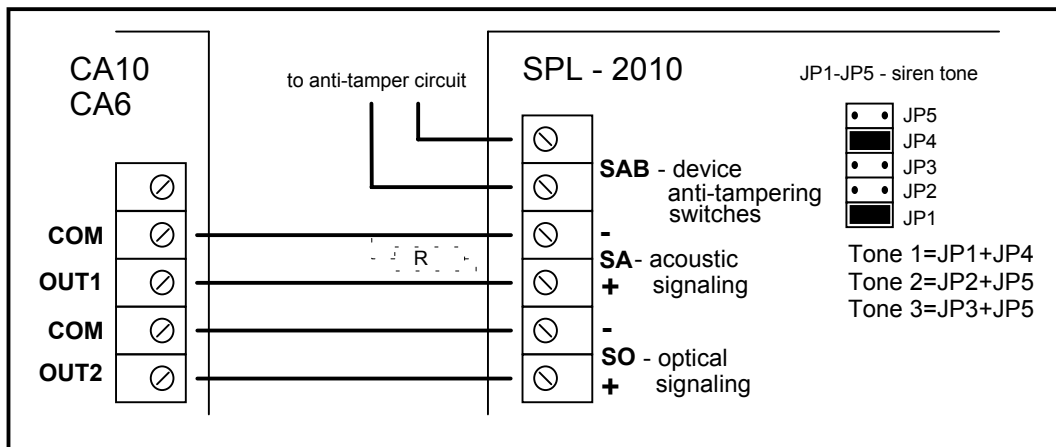
" + **SA** - " - for activating the acoustic signaling,

" + **SO** - " - for activating the optic signaling.

Terminals SA and SO can be connected parallel ("+" to "+" and "-" to "-") for simultaneous work of acoustic and optical signaling.

Connectors " **SAB** " are designed for connecting into anti-tampering circuit of security system. Anti-tampering switches of the device protects against opening the cover, ripping off from basis and clogging up the siren.

Pins JP1 ÷ JP5 are designed for choosing the acoustic signaling tone.




SPL-2030 connection to control panels SATEL CA10 or CA6.

Outputs OUT1 and OUT2 programmed as BURGLARY or FIRE/BURGLARY, polarity +12V (programmed with service functions FS31 and FS33).

Some control panels may require connecting resistor R (about 1kΩ) on siren connectors in order to provide siren connection control. If this resistor is not connected, the siren can emit some quiet sounds when not alarming. There are no resistors required for connection to CA10 and CA6 panels.

TECHNICAL DATA

power supply.....DC 12V ± 20%
 power consumption - acoustic signaling220 mA
 average power consumption - optical signalling350 mA
 maximum power consumption - optical signalling.....500mA
 average power consumption (parallel feeder connectors)550mA
 sound pressure.....more then 120dB
 operating temperature-30°C - +60°C
 dimensions300x200x90mm
 weight0,8kg

SATEL sp. z o.o. ul. Schuberta 79 80-172 Gdańsk POLAND	tel. (+48 58) 320 94 00 info@satel.pl www.satel.pl	Latest EC declaration of conformity and product approval certificates can be downloaded from our Web site www.satel.pl 
---	--	--