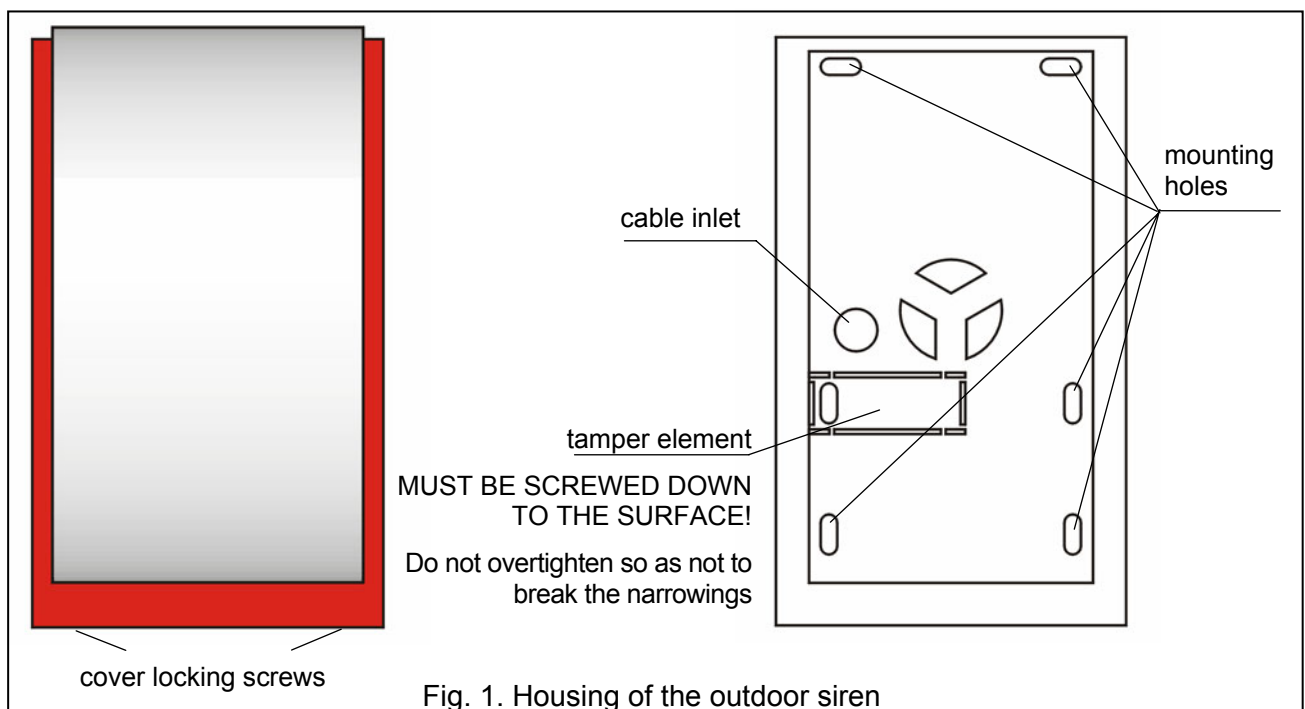


The SP-4003 optical-acoustic outdoor siren is designed for burglary and panic alarm systems. The signaling function is performed in two ways: **optically** (by blinking of LEDs situated on the housing sides) and **acoustically** (with a modulated high-volume sound signal). The source of light are two LED sets, while the sound signal is generated by means of a piezoelectric transducer. Design of the siren ensures a high degree of tamper protection (against opening and/or pull-off from the mounting surface). Electronic circuit of the device is made in SMD technology and impregnated against adverse effect of weather conditions, thus ensuring a high reliability of the equipment. The outer housing of the SP-4003 is made of PC LEXAN high-impact polycarbonate, so it features a very high mechanical strength and guarantees esthetic look of the equipment even after many years of service. The inner cover, made of galvanized sheet, provides extra protection for electronic components against mechanical damage.

1. INSTALLATION

The SP-4003 outdoor siren should be mounted on a flat surface, at a place which is as hard to access as possible, so as to minimize the risk of tampering. The device must be attached to the surface by means of screws and expansion plugs. In order to take off the cover, remove the two locking screws and lift it by an angle of approx. 60°. Be particularly careful when dismounting and remounting the inner sheet metal cover.

NOTE: *Make sure there is a suitable distance (minimum 2.5 cm) between the upper edge of the siren housing and the ceiling or another element which restricts the mounting position from the above. Otherwise, replacement of the cover may be impossible.*



After installation of the outdoor siren mounting holes as well as the cable inlet should be sealed with silicone compound.

2. CONNECTION

The SP-4003 outdoor siren can interface with any alarm signal source where in the event of alarm condition 12V direct voltage appears on the alarm output(s). Connecting the 12V supply to the terminals "+ SA -" will set off the acoustic alarm, and to the terminals "+ SO -" - the optical alarm.

It should be borne in mind that the current capacity of the control panel outputs must ensure proper operation of the outdoor siren.

The tamper circuit protects the outdoor siren against removal of the outer housing and from being detached from the wall. For the pull-off protection to function properly, the tamper element (Fig. 1) must be screwed down to the mounting surface.

The "TMP" terminals are used to connect the device to the tamper circuit of the security system, while the **SENS.TMP** terminals are provided for connecting the inner tamper contact of the housing.

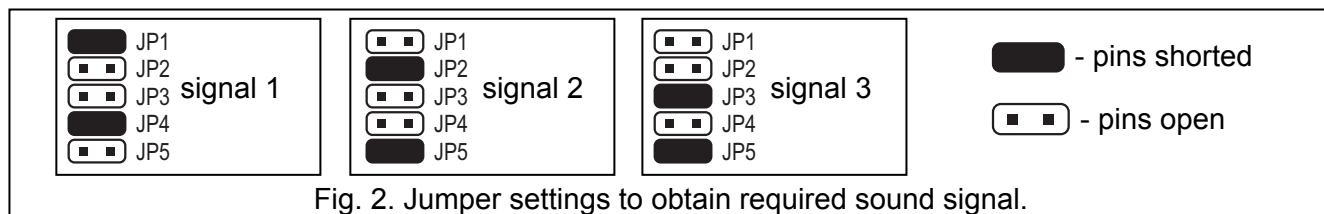


Fig. 2. Jumper settings to obtain required sound signal.

By setting jumpers on the pins **JP1 – JP5** you can select one of the three sound signals for alarm signaling.

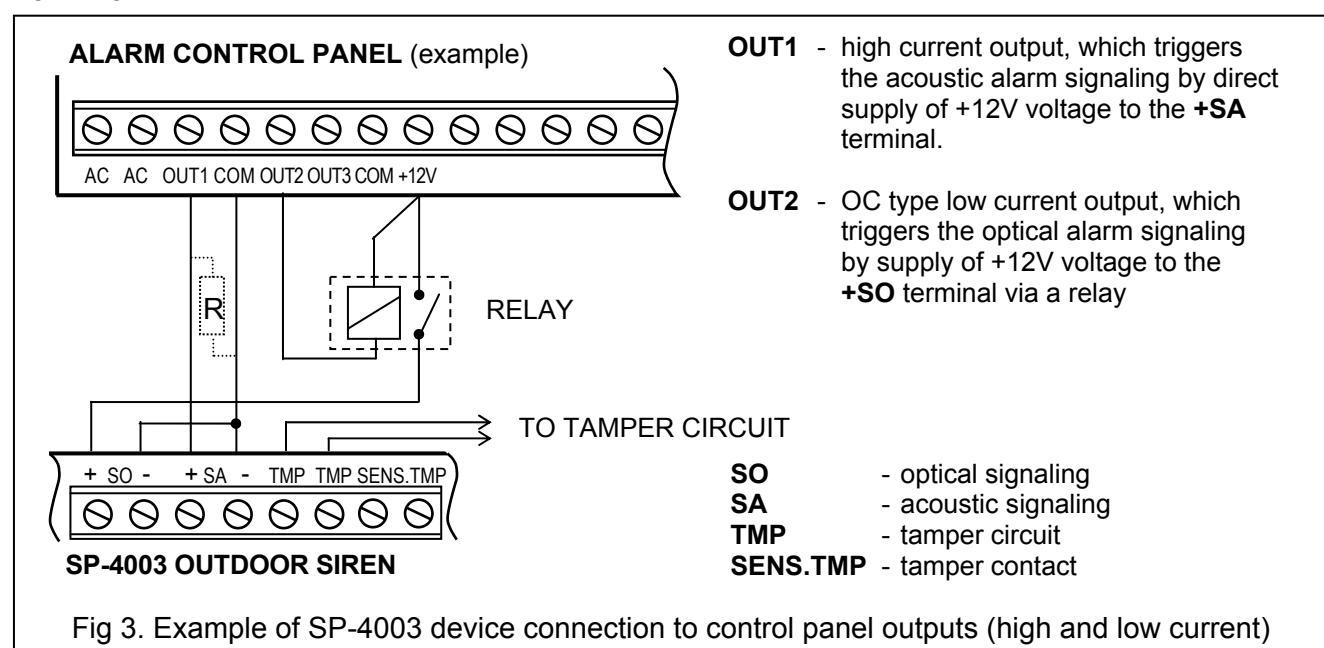


Fig 3. Example of SP-4003 device connection to control panel outputs (high and low current)

Both kinds of signaling can be controlled from one control panel output if the terminals are connected in parallel i.e. „+SA” with „+SO” and „-SA” with „-SO”.

Some control panels may require that a resistance **R** (approx. 1kΩ) be connected in the siren. Otherwise, the device will be gently buzzing when switched off.

3. TECHNICAL DATA

Nominal supply voltage	12V DC ±15%
Average current consumption during operation	
optical signaling.....	250mA
acoustic signaling.....	200mA
Working temperature range.....	-35°C...+55°C
Sound intensity	approx. 120dB
Housing dimensions	148x254x64mm

SATEL sp. z o.o. 80-172 Gdańsk ul. Schuberta 79 POLAND	tel. + 48 58 320 94 00 info@satel.pl www.satel.pl	Latest CE declaration of conformity and certificates can be downloaded from website www.satel.pl	
---	---	--	--