

The INDIGO digital glass breaking detector can be used for detection of shattering of ordinary, armored and/or laminated glass. The detector sounds an alarm upon recording the occurrence of a low-frequency signal (impact sound) or a high-frequency signal (sound of broken glass). The low-frequency sound wave caused by the impact makes the detector analyze the high-frequency channel. The shock wave sound registered by the microphone is signaled by blinking of the LED. The analysis of high-frequency channel lasts 4 seconds. If a high-frequency sound, i.e. the glass breaking sound, occurs during that time, the detector will trip an alarm.

TERMINALS:

COM - ground (0V)

12V - supply input (9-16V DC)

NC - alarm relay (NC)

TMP - tamper contact (NC)

Two pairs of pins are provided for setting performance parameters of the glass breaking detector (see Table).

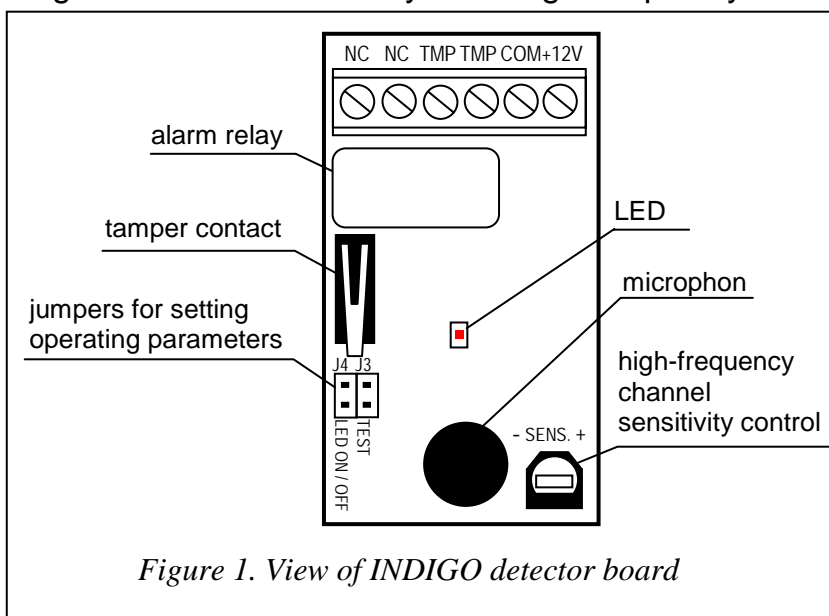


Figure 1. View of INDIGO detector board

	J3	J4
Normal mode	■	
Test mode	□	
LED indicator ON		■
LED indicator OFF		□

□ - pins open ■ - pins shorted

The test mode is used for the functional check of the detector. In this mode the detector will only signal an alarm when a high-frequency sound is recorded by the microphone.

The LED lights red when the detector is actuated, which enables the installer to check the detector for correct functioning.

The detector monitors the supply voltage. If the voltage drops below 9V ($\pm 5\%$) for more than 2 seconds, the detector will signalize a violation state until a voltage of minimum 9V ($\pm 5\%$) is restored.

INSTALLATION

The detector is designed for indoor installation. It should be mounted directly on the wall so that the protected glass surfaces are kept within the detector coverage area. It should be borne in mind that all shades, curtains, furniture upholstery, soundproof tiles etc. will reduce the detector range.

To install the detector, open the housing, remove the printed circuit board and make suitable openings for cable entry and screws in the rear wall of the housing.

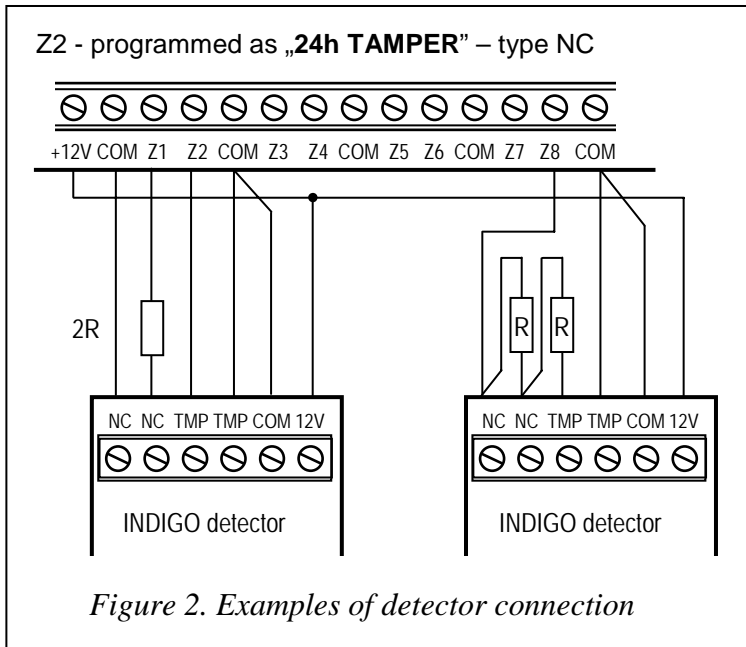


Figure 2 shows typical examples of connecting the detectors in EOL (parameter) configuration and 2EOL (two-parameter) configuration. Resistors should be mounted inside the detector housing.

TECHNICAL DATA

Nominal supply voltage	12V DC
Mean power consumption (±10%)	12.5mA
Violation signaling time	2s
Detection range	up to 6m
Operating temperature range	-10...+50°C
Housing dimensions	48x78x23mm

Latest EC declaration of conformity and product approval certificates can be downloaded from our Web site www.satel.pl



SATEL sp. z o.o.
 ul. Schuberta 79
 80-172 Gdańsk
 POLAND
 tel. + 48 58 320 94 00
 info@satel.pl
 www.satel.pl