

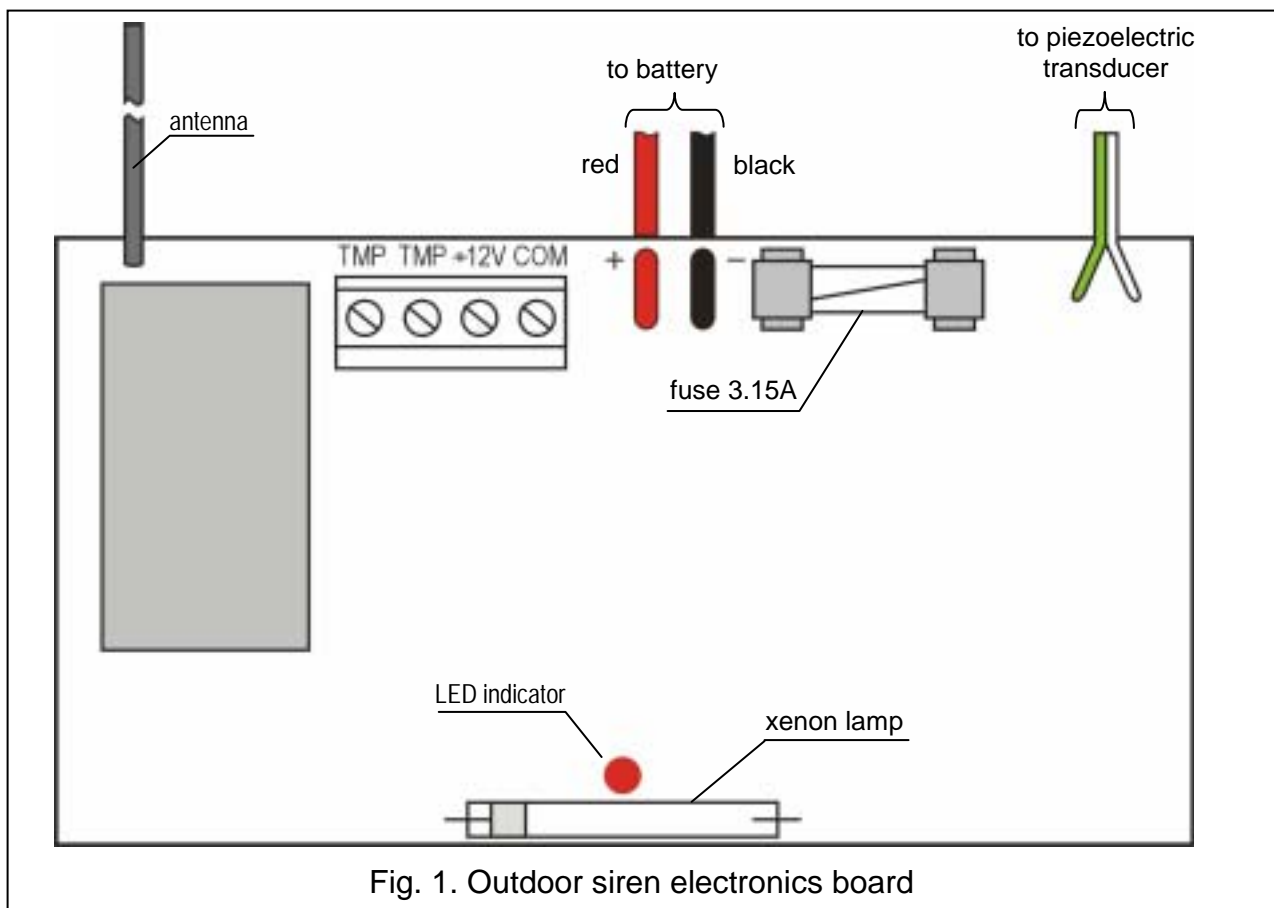
The ASP-105 wireless outdoor siren is designed for operation as part of the ABAX two-way wireless system.

The optical and acoustic signaling are independently triggered by radio. A xenon lamp (flash) is the source of light signal, while the sound signal is generated by means of a piezoelectric transducer.

The ASP-105 outdoor siren is supplied with +12V ( $\pm 15\%$ ) direct voltage. An emergency power supply is the 6V 1.2Ah battery.

### 1. DESCRIPTION OF ELECTRONICS BOARD

Electronic circuit of the outdoor siren is made with the use of SMD technology and impregnated against adverse effect of weather, which ensures a high reliability of the device.



A tamper contact, which reacts to opening or pull-off of the housing from the surface, is connected to the TMP terminals. The terminals +12V and COM are used to connect the outer power supply.

The 3.15A fuse protects the battery power supply circuit.

The LED indicator is "on" in the TEST MODE only (see the ACU-100 controller manual) to signal communication with the controller.

Placed on the electronics board is a label with 7-digit serial number, which must be indicated when registering the outdoor siren in the system.

## 2. INSTALLATION



Prior to permanent mounting of the outdoor siren, you should check the level of signal received from the siren by the ACU-100 controller and, if necessary, change place of the installation so as to ensure optimal positioning in terms of communication.

The ASP-105 outdoor siren should be mounted on flat surface, at a high and hard-to-access place, so as to minimize the risk of tamper. The device is to be attached to the surface by using screws and expansion bolts.

In order to permanently install the wireless outdoor siren:

1. Remove the two screws locking the device cover.
2. Lift the cover by an angle of approx. 60° and remove it.

**Caution !** The converter which supplies the optical signaling system generates high voltages which may cause an electric shock. Therefore, observe safety precautions: carry out the installation only with the battery disconnected, and connect the +12V cable last.

3. Pass the 12V DC outer supply cable through the hole in the housing.

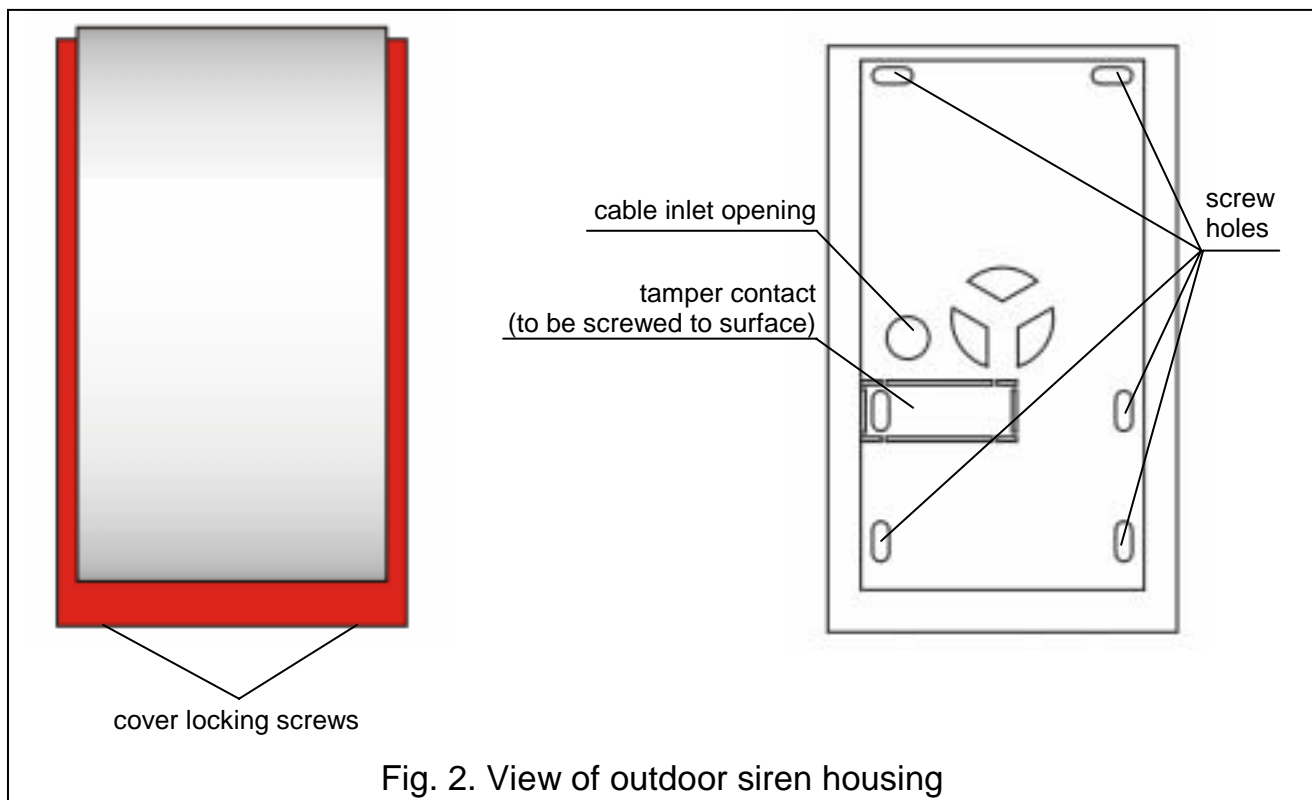


Fig. 2. View of outdoor siren housing

4. Using screws, secure the rear housing panel to the surface. It is advisable to keep a clearance of minimum 2.5cm between the upper edge of the outdoor siren and the ceiling or any element that may be situated above the device. Otherwise, replacement of the cover may prove impossible.
5. Using a screw, secure the tamper element to the surface.
6. Using silicone, seal the mounting holes and the cable inlet opening.

## 7. Connect the battery.

**Note:** *The tamper alarm signaling will be blocked after activation of the service mode in case of operation with INTEGRA series control panels, or activation of the TEST MODE in any other configuration, as well as for 40 seconds after power-up of the siren.*

8. Screw the outer supply cable to the terminals on the electronics board. The cable should not be laid up in the close vicinity of the siren antenna, since it may cause radio communication interference.

9. Replace the device cover and lock it with screws.

**For information on registration and installation of the outdoor siren in the wireless system - see the ACU-100 Controller User Manual.**

## 3. TECHNICAL DATA

---

Operating frequency band .....	868.0MHz ÷ 868.6MHz
Nominal supply voltage .....	12V DC ±15%
Current consumption (average):	
- standby mode .....	30mA
- standby mode + battery charging .....	150mA
- optical signaling .....	165mA
- acoustic signaling .....	450mA
Inner battery .....	6V/1.2Ah
Inner battery protection .....	fuse T 3.15A
Operating temperature range .....	-20°C...+55°C
Housing dimensions .....	148x254x64mm

**DECLARATION OF CONFORMITY****CE1471****Product:**

ASP-105 - Outdoor Siren for ABAX System

**Manufacturer:**SATEL spółka z o.o.  
ul. Schuberta 79  
80-172 Gdańsk, POLAND  
tel. (+48 58) 320-94-00  
fax. (+48 58) 320-94-01**Product description:** Wireless outdoor siren with battery backup, designed for interaction with the controller of the ABAX wireless system, operating in the 868.0MHz – 868.6MHz frequency range, supplied from a 3V lithium cell. The device is intended to be used in burglary and panic alarm systems.**This product conforms to the following EU Directives:**

R&amp;TTE 1999/5/EC

**This product meets requirements of the harmonized standards:**R&TTE: ETSI EN 300 220-1: v.1.3.1; ETSI EN 300 220-3: v.1.1.1;  
EMC: ETSI EN 301 489-1: v.1.5.1.; EN 301 489-3: v.1.4.1  
Safety: EN60950-1:2001**Notified body taking part in conformity evaluation:**

Identification No.: 1471

Gdańsk, Poland 2005-07-15

*Head of Test Laboratory:*

Michał Konarski

The latest EC declaration of conformity and product approval certificates are available for downloading on our website **www.satel.pl**SATEL sp. z o.o.  
ul. Schuberta 79  
80-172 Gdańsk  
POLAND  
tel. + 48 58 320 94 00  
info@satel.pl  
www.satel.pl