

Quick installation guide

Full manual is available on www.satel.pl. Scan the QR code to go to our website and download the manual.



The CR-MF3 reader can operate as:

- proximity card reader in the INTEGRA alarm system,
- proximity card reader in the ACCO access control system,
- proximity card reader in systems of other manufacturers,
- standalone door control module.

Before you mount the reader, program the settings required for the selected operating mode in the CR SOFT program. The exception is a reader that is to operate in the ACCO NET system and is to be connected to the ACCO-KP2 controller using the RS-485 bus (OSDP protocol). The OSDP protocol is supported by the ACCO-KP2 controllers with firmware version 1.01 (or newer). In that case, you can program the required settings in the ACCO Soft program (version 1.9 or newer).

Installation



The device should be installed by qualified personnel.

Prior to installation, please read the full manual.

Disconnect power before making any electrical connections.

1. Open the reader enclosure.
2. Connect the reader to the computer. Use the USB / RS-485 converter (e.g. ACCO-USB by SATEL). Follow the instructions in the converter manual.



Do not connect more than 24 access control devices with the MIFARE card reader (CR-MF5 and CR-MF3) to the converter. The CR SOFT program may not be able to support more devices correctly.

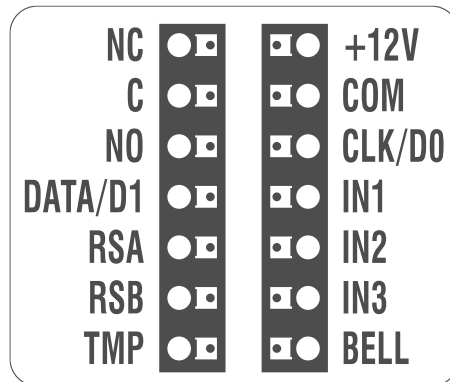
3. Program the reader in the CR SOFT program.
 - 3.1. Create a new project or open an existing project.
 - 3.2. Establish connection between the program and the device.
 - 3.3. Program the settings and upload them to the reader.
4. Disconnect the reader from the computer.
5. Run the cables to where you want to install the reader. To connect the RS-485 bus, we recommend using a UTP cable (unshielded twisted pair). To make other connections, use unshielded straight-through cables.

6. Place the enclosure base against the wall and mark the location of mounting holes.
7. Drill the holes in the wall for wall plugs (anchors).
8. Run wires through the opening in the enclosure base.
9. Use wall plugs and screws to secure the enclosure base to the wall. Select wall plugs specifically intended for the mounting surface (different for concrete or brick wall, different for plaster wall, etc.).
10. Connect the wires to the reader terminals (see: "Description of terminals").
11. Close the reader enclosure.



The ACCO Soft program in version 1.9 (or newer) enables programming of all the required settings. If it is to be used, you can skip the steps 2-4.

Description of terminals



Description of terminals for reader in the INTEGRA / ACCO system

Terminal	Description
NC	<i>not used</i>
C	<i>not used</i>
NO	<i>not used</i>
DATA/D1	<i>not used</i> [EM-Marin interface] / data (1) [Wiegand interface]
RSA	RS-485 bus terminal [OSDP]
RSB	RS-485 bus terminal [OSDP]
TMP	tamper output
+12V	+12 VDC power input
COM	common ground
CLK/D0	data [EM-Marin interface] / data (0) [Wiegand interface]
IN1	programmable input [EM-Marin / Wiegand interface]
IN2	programmable input [EM-Marin / Wiegand interface]
IN3	programmable input [EM-Marin / Wiegand interface]
BELL	<i>not used</i>

Description of terminals for reader in other manufacturer's system

Terminal	Description
NC	<i>not used</i>
C	<i>not used</i>
NO	<i>not used</i>
DATA/D1	data (1) [Wiegand interface]
RSA	RS-485 bus terminal [OSDP]
RSB	RS-485 bus terminal [OSDP]
TMP	tamper output
+12V	+12 VDC power input
COM	common ground
CLK/D0	data (0) [Wiegand interface]
IN1	programmable input [Wiegand interface]
IN2	programmable input [Wiegand interface]
IN3	programmable input [Wiegand interface]
BELL	<i>not used</i>

Description of terminals for the standalone door control module

Terminal	Description
NC	relay output normally closed contact
C	relay output common contact
NO	relay output normally open contact
DATA/D1	<i>not used</i>
RSA	RS-485 bus terminal [OSDP]
RSB	RS-485 bus terminal [OSDP]
TMP	tamper output
+12V	+12 VDC power input
COM	common ground
CLK/D0	<i>not used</i>
IN1	door status input
IN2	request-to-exit input
IN3	<i>not used</i>
BELL	<i>not used</i>

The declaration of conformity may be consulted at www.satel.pl/ce