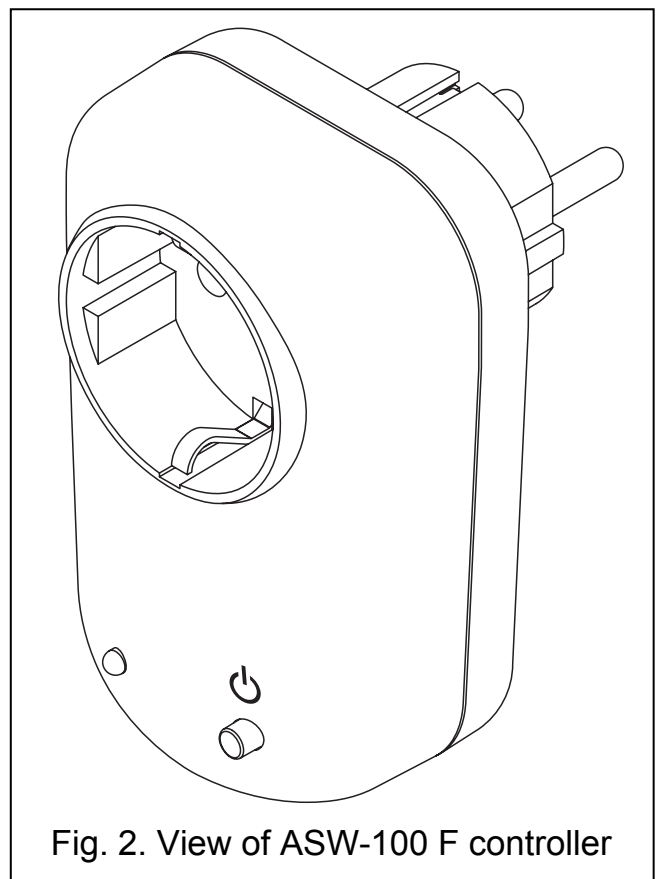
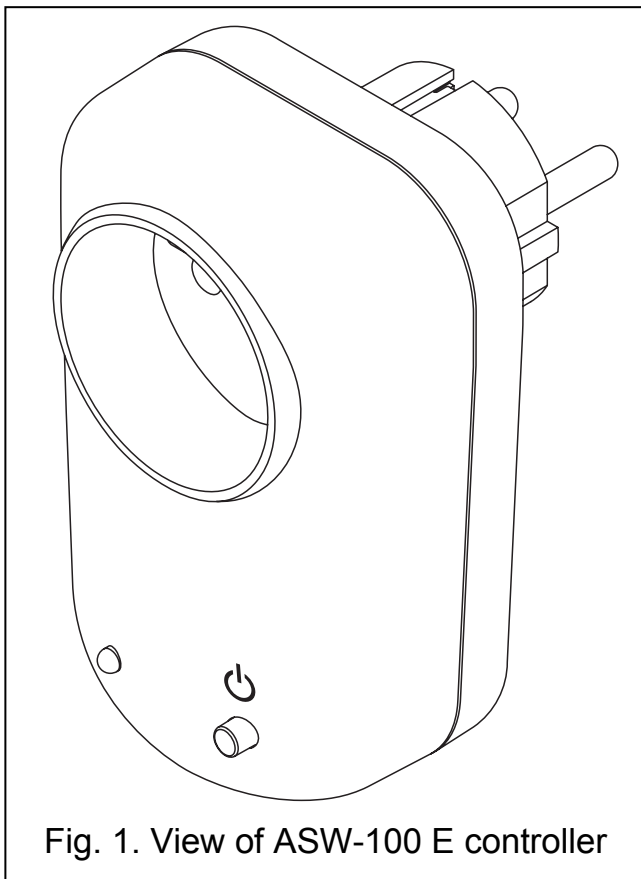


The ASW100 E and ASW-100 F 230V AC wireless controllers are designed to work together with the ACU-100 wireless system controller. They are supported by the ACU-100 controller with firmware version 1.05 or later. They make it possible to remotely switch ON/OFF devices to be connected to 230V AC sockets. The letter at the end of their designation corresponds to the type of controller socket: type E (EURO) in the ASW100 E controller, type F (SCHUKO) in the ASW100 F controller. The 230V AC wireless controller takes up one position on the list of wireless devices which can be operated by the ACU-100 controller. It is supplied with 230V voltage.

1. Description of the controller



Operation mode of the button designated by the ⏻ symbol depends on the current controller configuration (refer to the ACU-100 controller user manual):

mode 0 - the button enables no manual control of the electric circuit - pressing the button will have no effect on the 230V electric circuit, but information on the button status will be transmitted to the controller and, through the controller, to the alarm control panel. With the control panel zone suitably programmed, the button can be used to perform various tasks.

- mode 1 - the button enables the electric circuit to be manually controlled – press the button to close / open the 230V electric circuit (switch ON / OFF the device connected to the controller socket).
- mode 2 - the button enables the electric circuit to be manually controlled and the remote control to be disabled – shortly press the button to close / open the 230V electric circuit (switch ON / OFF the device connected to the controller socket). Press and hold down the button for 3 seconds to disable / enable the remote control of the electric circuit (with remote control disabled, the LED indicator is blinking).

The two-color LED provides the following information:

- steady green light – the 230V electric circuit is open (the device connected to the controller socket is OFF)
- steady red light – the 230V electric circuit is closed (the device connected to the controller socket is ON)
- blinking green light – remote control of the device is disabled, the 230V electric circuit is open (the device connected to the controller socket is OFF)
- blinking red light – remote control of the device is disabled, the 230V electric circuit is closed (the device connected to the controller socket is ON)

In addition, the LED will change its color momentarily during the polling: if lighting / blinking green, it will give a red flash; if lighting / blinking red, it will give a green flash.

2. Description of the installation

The ASW-100 E and ASW-100 F 230V wireless controllers should be installed indoors, in spaces with normal air humidity.



Before plugging the wireless controller into the 230V socket, familiarize yourself thoroughly with the electrical system in the premises. The phase conductor in the socket the controller is to be plugged in should be on the left-hand side, and the neutral conductor - on the right-hand side.


To install the ASW-100 E or ASW-100 F controller in the ABAX system, proceed as follows:

1. Add the controller to the wireless system (refer to the ACU-100 controller user manual). Placed on the housing is a sticker with the 7-digit serial number which is to be entered when registering the controller in the system.
2. Plug the controller into the selected 230V socket.
3. Check the level of signal received by the controller from the controller. If necessary, select another socket and re-check the signal level.
4. Having selected the installation place which ensures the optimum signal level, configure the controller as required. Refer to the ACU-100 user manual for configuration related information.

3. Technical data

Working frequency band..... 868.0MHz ÷ 868.6MHz
 Rangeup to 150m (in open area)
 Power supply230V AC

Maximum resistance load	16A
Working temperature range	0°C...+55°C
Dimensions	65x100x77mm

DECLARATION OF CONFORMITY		CE1471
Product: ASW-100 E – 230V AC wireless controller for ABAX system, E type socket ASW-100 F – 230V AC wireless controller for ABAX system, F type socket	Manufacturer: SATEL sp. z o.o. ul. Schuberta 79 80-172 Gdańsk, POLAND tel. (+48 58) 320-94-00 fax. (+48 58) 320-94-01	
Product description: 230V AC wireless controller designed to work together with the ABAX wireless system controller, within the 868.0MHz – 868.6MHz frequency band, supplied from 230V AC power source. The device is intended to be used in burglary / panic alarm systems.		
The product is in conformity with the following EU Directives: R&TTE 1999/5/EC		
The product meets the requirements of harmonized standards: R&TTE: ETSI EN 300 220-1: v.1.3.1; ETSI EN 300 220-3: v.1.1.1 EMC: ETSI EN 301 489-1 V1.6.1; ETSI EN 301 489-3 V1.4.1 Safety: EN60950		
Notified entity participating in the conformity assessment: Identification No.: 1471		
Gdańsk, Poland 2007-01-11	Head of Test Laboratory:  Michał Konarski	
The latest EC declaration of conformity and product approval certificates are available for downloading on website www.satel.pl		

SATEL sp. z o.o.
 ul. Schuberta 79
 80-172 Gdańsk
 POLAND
 tel. + 48 58 320 94 00
 info@satel.pl
 www.satel.pl