

Instruction manual

RT18

ELECTRO-LOCK WITH DOUBLE CYLINDER FOR VERTICAL INSTALLATION FOR DOUBLE LEAF GATES

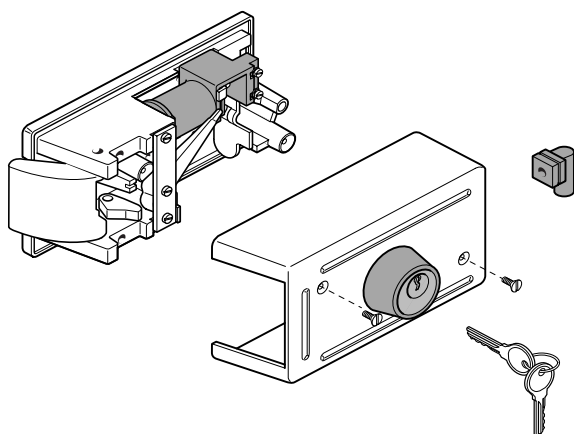


Cylinder 50 mm:

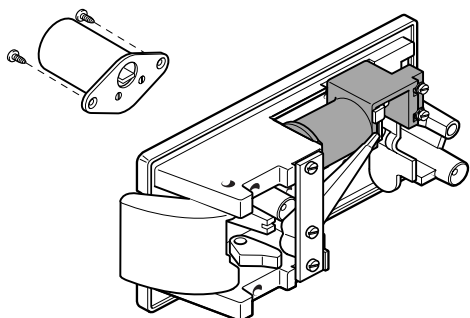
RT18

12V ~ 15 VA

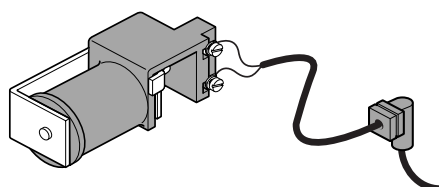
How to install



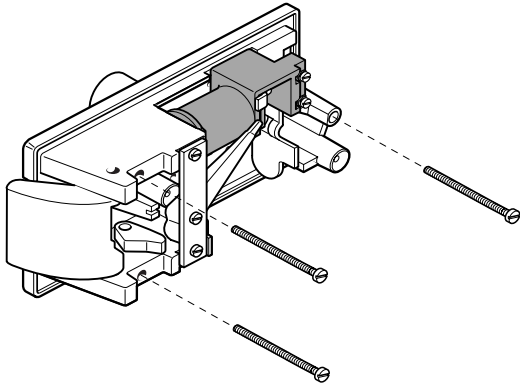
Unscrew the screws and remove the cover



Put the second cylinder in the rear part of the electro-lock so that the holes for screws coincide.

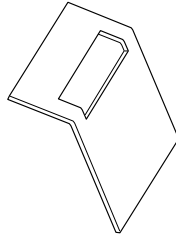


Pass the cable in the rubber and connect it to the terminals.



Install the electro-lock on the gate.

Accessories



STOPPER

Technical drawings

