

PSPAM01

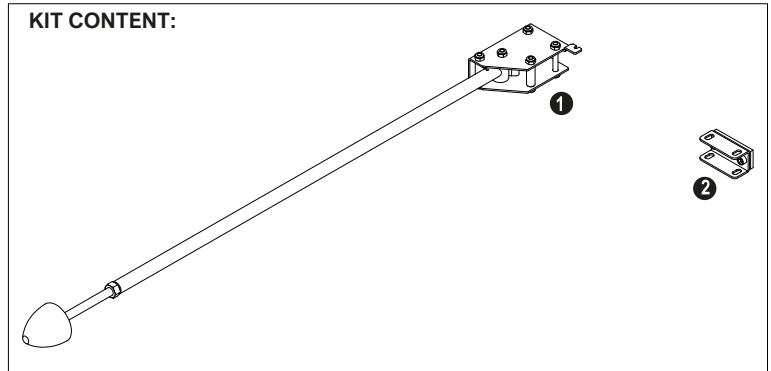
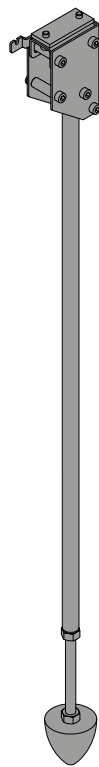
Moving support for S-PARK boom



PROTECO S.r.l.
Via Neive,77 - 12050 CASTAGNITO (CN) ITALY
Tel. +39 0173 210111 - Fax +39 0173 210199
info@proteco.net - www.proteco.net

GENERAL SAFETY TIPS

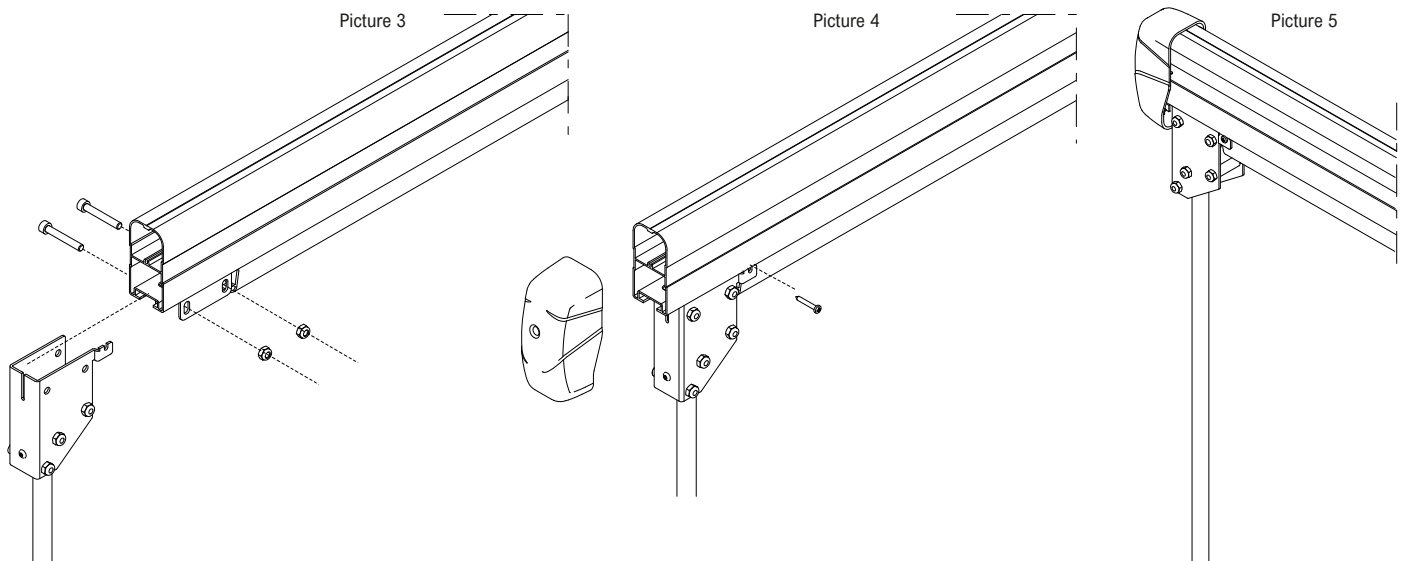
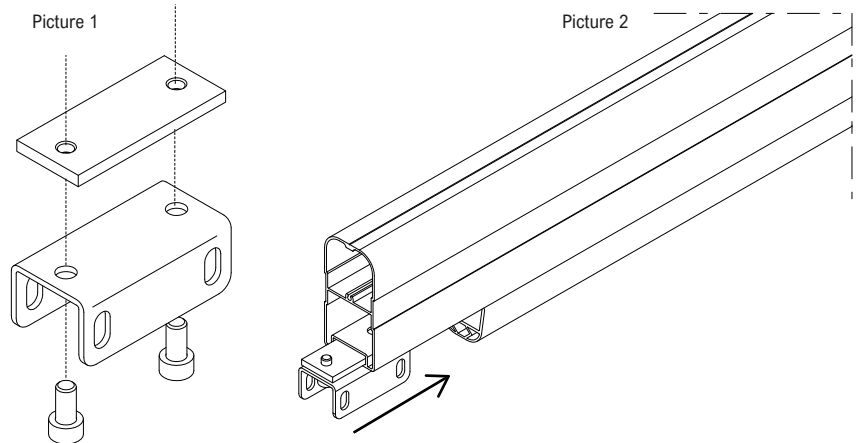
This manual is intended for qualified personnel use only.
Read carefully before proceeding with the installation: incorrect installation can be a source of danger.
Keep this manual in a safe place for future maintenance.
Before starting the installation, check the integrity of the product.



ASSEMBLING

- Fit the rectangular plate to the bracket using the two screws 6x12 supplied (Picture 1).
- Slide the plate through the boom compartment for about 25 mm, then close strong till complete fixing (Picture 2).
- Fit the moving support to the bracket using screws 6x40 and self-locking bolts M6 supplied (Picture 3).
- Close the self-threading screw 3,5 (supplied) to fix the rubber profile (Picture 4).
- Put the end cap to the boom and screw.

ATTENTION: Short the rubber profile of about 110 mm.



DISPOSAL

Barrier's components, remote controls and similar devices included, have to be disposed according to the current regulation, since their content may be harmful for the environment.
Most of the materials used are similar to municipal solid waste.
They can be recycled through separate collection and disposal in authorized centers.
Other components (electronic boards, batteries, etc.) may instead contain polluting substances.
That's why they must be removed and delivered to authorized companies for collection and disposal.
Check the outstanding local disposal regulations.

