

# CATALOGUE

Professional



[www.proteco.net](http://www.proteco.net)



**Proteco S.r.l.** Via Neive, 77 12050 Castagnito (CN) ITALY Tel. +39 0173 210111 - Fax +39 0173 210199

[www.proteco.net](http://www.proteco.net)

CATALOGUE  
**Professional**

# INDEX

<b>OUR COMPANY</b>	<i>pag. 01</i>
<b>OUR MISSION</b>	<i>pag. 02</i>
<b>SAFETY</b>	<i>pag. 03</i>
<b><i>Made in Italy</i> AROUND THE WORLD</b>	<i>pag. 04</i>



<b>Swing gates automation</b>	<i>pag. 05</i>
Electromechanical linear motor	<i>pag. 09</i>
Electromechanical arm motor	<i>pag. 17</i>
Underground motor	<i>pag. 19</i>
Wheel-driven motor	<i>pag. 21</i>



<b>Sliding gates automation</b>	<i>pag. 23</i>
Rack-driven gear motor	<i>pag. 27</i>
Chain-driven gear motor	<i>pag. 31</i>
Sliding gate RACKS	<i>pag. 33</i>
Sliding gate CHAINS	<i>pag. 34</i>



<b>Garage door automation</b>	<i>pag. 35</i>
Automations for sectional garage door	<i>pag. 37</i>
Automations for counterweights garage door	<i>pag. 41</i>



<b>Rolling shutter automation</b>	<i>pag. 43</i>
-----------------------------------	----------------



<b>Operators for interior blinds and awnings</b>	<i>pag. 45</i>
--	----------------



<b>Road barriers</b>	<i>pag. 49</i>
----------------------	----------------

# INDEX



## Control units

For swing gates  
For sliding gates

*pag. 55*  
*pag. 57*  
*pag. 59*



## Radio Systems

Radio receivers  
Aerials  
Radio transmitters

*pag. 63*  
*pag. 63*  
*pag. 63*  
*pag. 64*



## Control Systems

Key-switches  
Keypads  
Loop detectors

*pag. 65*  
*pag. 65*  
*pag. 66*  
*pag. 66*



## Safety Systems

Blinker Lights  
Photocells  
Safety edges

*pag. 67*  
*pag. 67*  
*pag. 68*  
*pag. 69*



## Electro-locks

*pag. 70*



## Accessories

*pag. 71*



# OUR COMPANY

40 years of passion for quality automations

The history of **Proteco** established in the early seventies coming from a significant profession tradition and proceeding on to a relevant expansion through key experimentations at its plants of Castagnito, in Piedmont, Italy.

Here are concentrated the most advanced technologies of the sector which have been leading to a steady focused improvement of product conception and manufacture engineering, as well as the creation of a primary sales division committed both to the domestic and international market.

Day after day, beside the distributors, installers and end users, **Proteco** grew developing technological advanced functional solutions offering a more and more complete range of systems for gates, garage doors, parking areas, suitable to residential and public applications.

From the very beginning we have believed in export markets potential and we have been investing our resources in promoting **Proteco** brand an Italian manufacturing quality in Europe and overseas.

A rewarding career testified by a persistent financial progress along the years, it's the result of a responsible methodical policy.

A vocation which promoted and sustained our Popularity in the world as synonym of professional safety and proved know-how.



# OUR MISSION

Reliability and innovation always beside you. Definitely.

We have a soft spot for things well done.

We love to create safe systems, designed to last, to be used with confidence and ease, requiring as little maintenance as possible and that can best meet the needs of installers and end customers.

That's why we constantly work to seek for new solutions and improve those that already exist.

In times when needs and the market of home automation itself do change, we are evolving our image, adapting our services consequently, trying to anticipate their requests.

Because we want to be a professional and reliable reference point for our customers.  
A serious partner always beside you.

Because your success is our success. Definitely.



# SAFETY

All PROTECO's systems do comply with the current safety standards in the respect of the European Directives on Electromagnetic Compatibility, Low Tension, Machines Directive and R&TTE.

**RTT&E**  
1995/5/CE

EN 60950-1  
EN 301 489-1  
EN 301 489-3  
EN 300 220-2

**Directive BT**  
2006/95/CE

EN 60335-1  
EN 60335-2-103

**Directive EMC**  
2004/108/CE

EN 55014-1  
EN 55014-2  
EN 61000-3-2  
EN 61000-3-3

**Directive Macchine**  
2006/42/CE

EN 12453  
EN 12445  
EN 13241-1

Our systems are regularly tested on a sample basis all production and assembly steps long by our internal Quality Control. Additionally, once assembled, each single operator is powered and tested one by one for the final check.

Products certifications are further validated by tests performed by a certifying authority with international recognition.





## Made in Italy AROUND THE WORLD

Since its first steps, Protoco showed an international vocation.

Today we are present in over 60 countries worldwide, with different business formulas tailored on each single market.

In some countries we have signed distribution agreements with established partners.

In other cases, we have chosen to become capital sharers of existing organizations to ensure the best possible distribution of our products.

Our research of partners doesn't stop and the penetration of the market is still growing. The desire to offer a more and more professional qualitative service led us in some cases to create even local branches.





## Swing gates automation

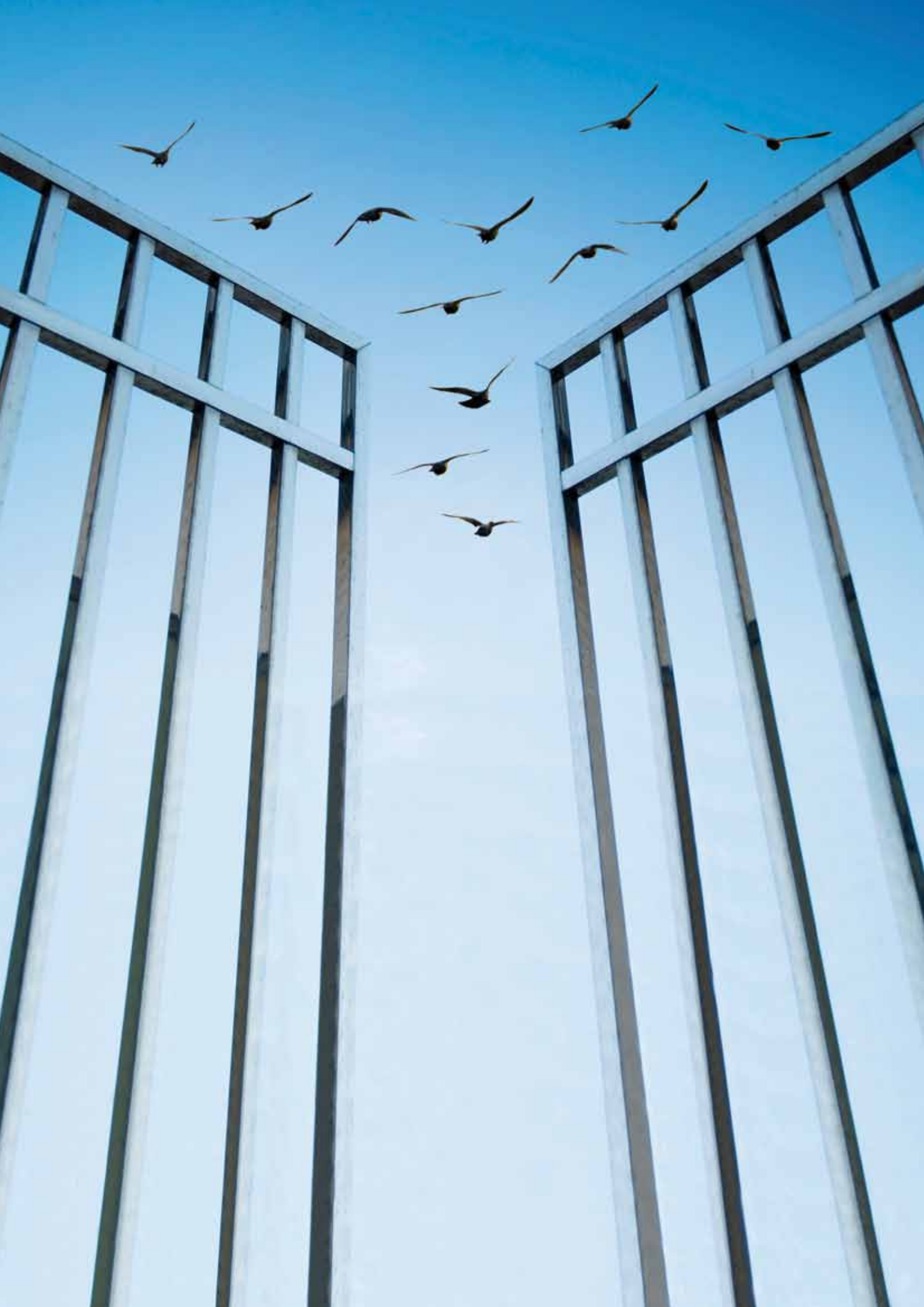
Proteco knows that not all gates are the same.

The company's knowledge and experience led to the development of a complete range of reliable motors able to fit into a wide variety of installations.

The customer can safely choose between ten different versions of rams, or the precise movement of an articulated arm motor or perhaps the elegance of an underground system.

Proteco is the only manufacturer, in the home automation market, able to present a complete range of wheel-driven motors for swing gates; an innovative solution that combines brilliant design and technology with high versatility and user friendliness.

All Proteco models are available in several versions, to meet different voltage and installation requirements.



# Swing gates

## Selection Guide



**ACE TI**  
Slimline extending ram

wing max 2,00 mt — 24V, 230V, 115V —> **ACE 3 TI** Pag. 09

wing max 3,00 mt — 24V, 230V, 115V —> **ACE 4 TI** Pag. 09



**ACE TA**  
Slimline ram with moving tow eye

wing max 2,50 mt — 24V, 230V, 115V —> **ACE 4 TA** Pag. 11

with mechanical limit switch —> **ACE 4 TA FM** Pag. 11



**LEADER TI**  
Standard extending ram

wing max 2,00 mt — 115V, 230V —> **LEADER 3 TI** Pag. 13

— 24V —> **LEADER 3 24 TI** Pag. 13

wing max 2,50 mt — 24V —> **LEADER 4 24 TI** Pag. 13

wing max 2,75 mt — 115V, 230V —> **LEADER 4 TI** Pag. 13

wing max 3,00 mt — 24V —> **LEADER 5 24 TI** Pag. 13

wing max 3,50 mt — 115V, 230V —> **LEADER 5 TI** Pag. 13



**LEADER TA**  
Standard ram with moving tow eye

wing max 2,00 mt — 24V —> **LEADER 4 24 TA** Pag. 15

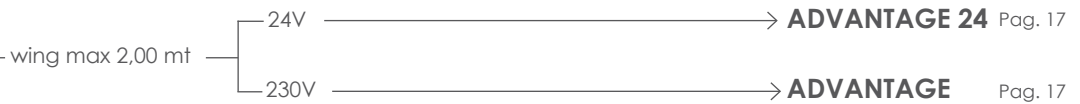
wing max 2,75 mt — 115V, 230V —> **LEADER 4 TA** Pag. 15

with mechanical limit switch —> **LEADER 4 TA FM** Pag. 15

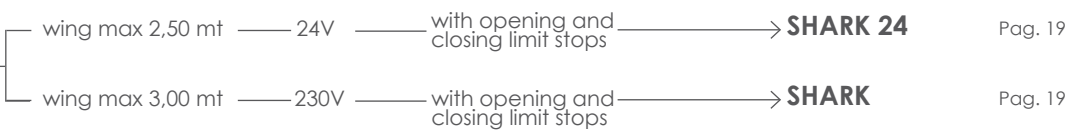
# Swing gates Selection Guide



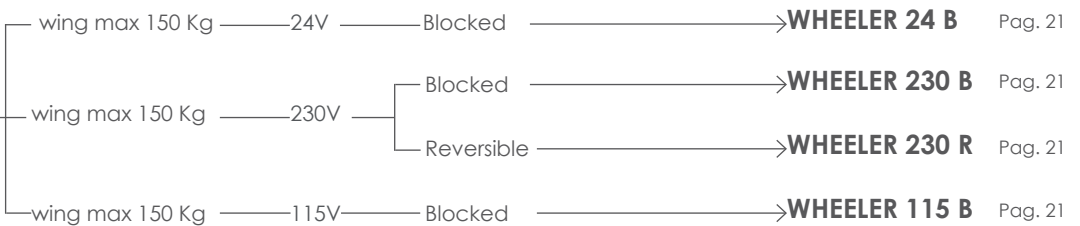
**ADVANTAGE**  
Articulated  
arm motor



**SHARK**  
Underground motor



**WHEELER**  
Wheel-driven motor



# ACE TI



## Electromechanical slimline extending ram for swing gates up to 3 m.

### POWER AND SAFETY


The slim compact design perfectly suits the aesthetics of either modern or traditional gates.

Presented in strong aluminium powder coated frame; bevel gear pair transmission system manufactured in bronze.

Complete with practical reliable release system for manual operation in the event of power cuts - safely secured by a key lock.

The electronic controller features: LED display screen for ease of programming and fault diagnosing, adjustable deceleration times of the motors, adjustable Pedestrian Opening feature, adjustable motor working times for custom opening angles.

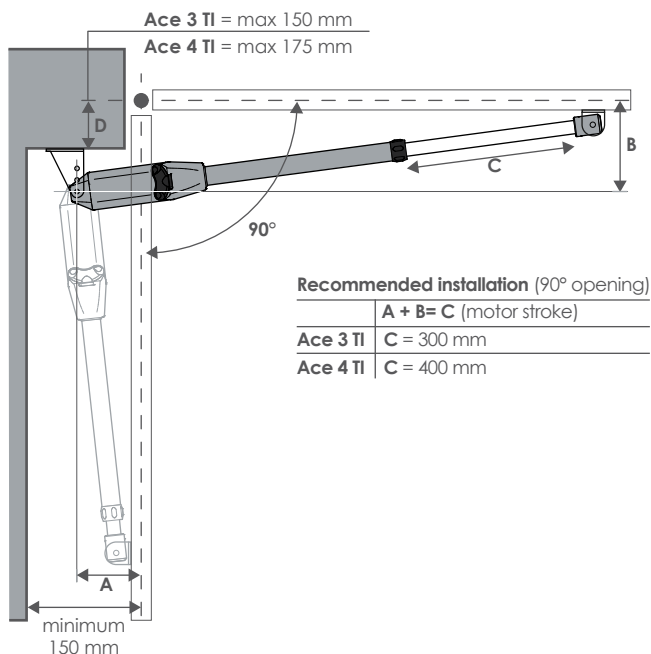
The 24Vdc version boasts built-in obstacle detection in compliance with the new Machine Directives ensuring this system is safe for use in various applications. In addition, the automation can be powered by a solar panel or back up batteries for continued operation in the event of power cuts.

Model	Stroke		Max Leaf
<b>Ace 3 TI</b>	300 mm	230V	2,00 mt
<b>Ace 4 TI</b>	400 mm	230V	3,00 mt
<b>Ace 4 TI REV</b>	400 mm	230V	3,00 mt
<b>Ace 3 TI 24</b>	300 mm	24V	2,00 mt
<b>Ace 4 TI 24</b>	400 mm	24V	3,00 mt
<b>Ace 3 TI 115</b>	300 mm	115V	2,00 mt
<b>Ace 4 TI 115</b>	400 mm	115V	3,00 mt

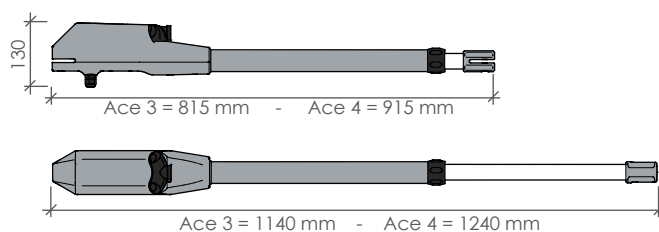
### TECHNICAL SPECIFICATIONS

	<b>Ace 3 TI</b>	<b>Ace 4 TI</b>	<b>Ace 4 REV</b>	<b>Ace 3 TI 24</b>	<b>Ace 4 TI 24</b>	<b>Ace 3 TI 115</b>	<b>Ace 4 TI 115</b>
Power Supply	230V ~ 50Hz	230V ~ 50Hz	230V ~ 50Hz	24V dc	24V dc	115V ~ 60Hz	115V ~ 60Hz
Current	1,2 - 1,7A	1,2 - 1,7A	1,2 - 1,7A	0,5 - 0,75A	0,5 - 0,75A	3,1 - 3,3A	3,1 - 3,3A
Motor Power	300W	300W	250W	50W	50W	300W	300W
Capacitor	10µF	10µF	8µF	—	—	20µF	20µF
Thermic Protection	150°C	150°C	150°C	—	—	150°C	150°C
Maximum Thrust	3000 N	3000 N	2500 N	2500 N	2500 N	3000 N	3000 N
Class IP Protection	44	44	44	44	44	44	44
Revolutions (speed)	1400 rpm	1400 rpm	900 rpm	1600 rpm	1600 rpm	1700 rpm	1700 rpm
Opening Angle	120° deg	120° deg	120° deg	120° deg	120° deg	120° deg	120° deg
90° opening time	17"	22"	22"	15"	20"	15"	18"
Leaf's maximum weight	350 Kg	400 Kg	350 kg	250 Kg	300 Kg	350 Kg	400 kg
Leaf's maximum length	2,0 m	3,0 m	3,0 m	2,0 m	3,0 m	2,0 m	3,0 m
Duty Cycle	40%	40%	40%	80%	80%	40%	40%

### INSTALLATION OVERVIEW




### MOTOR DIMENSIONS



# ACE TI kit

### Kit Contents:

- Extending ram operators
- Control panel with built-in radio receiver
  - Flashing Light 24Vdc
  - Safety photocells
- 2 Transmitters 3-channel
  - Key switch

Model		Max Leaf
Kit ACE 3 TI	230V	2,00 mt
Kit ACE 4 TI	230V	3,00 mt
Kit ACE 4 TI REV	230V	3,00 mt
Kit ACE 3 TI 24	24V	2,00 mt
Kit ACE 4 TI 24	24V	3,00 mt
Kit ACE 3 TI 115	115V	2,00 mt
Kit ACE 4 TI 115	115V	3,00 mt



Slimline extending ram operators



Control panel, with radio receiver 433,92 Mhz



**RL11T**  
Flashing light 24Vdc



**TX312 new**  
2 Transmitters 3-channel

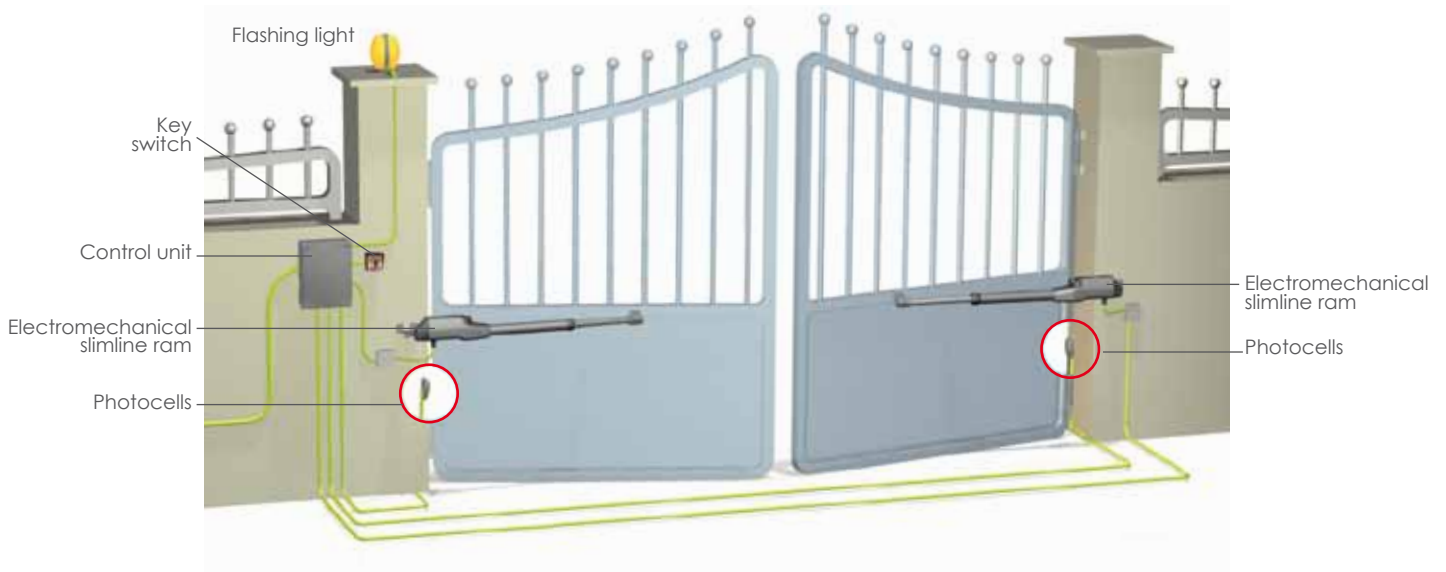


**RF36**  
Safety photocells



**RS15**  
Key switch

Swing gates



### OPTIONAL ACCESSORIES



**RT35**  
Inox case keypad



**RT36**  
Polycarbonadet keypad



**PANT01**  
Bracket mounted aerial

# ACE TA



**Electromechanical fixed ram with moving tow eye for swing gates up to 2,50 m.**

## POWER AND SAFETY

Strong aluminium powder coated frame; bevel gear pair transmission system manufactured in bronze.


Complete with practical reliable release system for manual operation in the event of power cuts - safely secured by a key lock.

This covered tube version can be equipped with mechanical limit switches, adjustable in closing.

The electronic controller features: LED display screen for ease of programming and fault diagnosing, adjustable deceleration times of the motors, adjustable Pedestrian Opening feature, adjustable motor working times for custom opening angles.

The 24Vdc version boasts built-in obstacle detection in compliance with the new Machine Directives ensuring this system is safe for use in various applications.

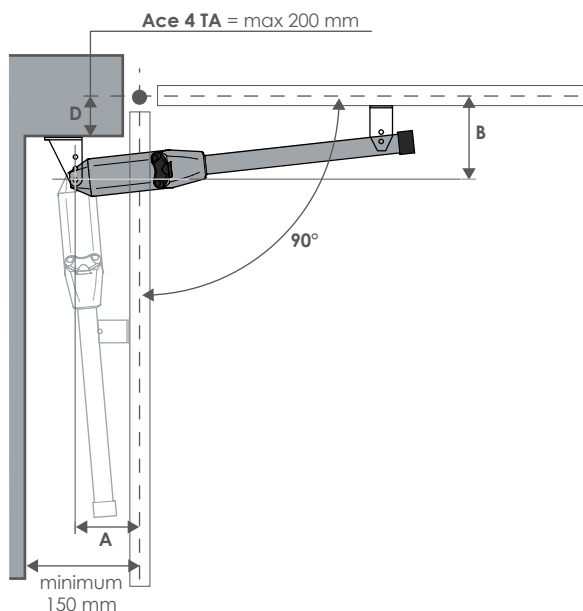
In addition, the automation can be powered by a solar panel or back up batteries for continued operation in the event of power cuts.

Model	Stroke		Max Leaf
<b>Ace 4 TA</b>	400 mm	230V	2,50 mt
<b>Ace 4 TA FM</b>	400 mm	230V	2,50 mt
<b>Ace 4 TA 24</b>	400 mm	24V	2,50 mt
<b>Ace 4 TA 115</b>	400 mm	115V	2,50 mt

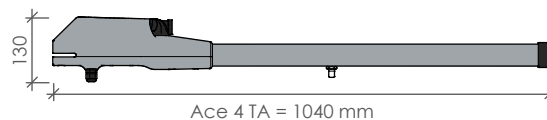
## TECHNICAL SPECIFICATIONS

	<b>Ace 4 TA</b>	<b>Ace 4 TA 24</b>	<b>Ace 4 TA 115</b>
Power Supply	230V ~ 50Hz	24V dc	115V ~ 60Hz
Current	1,2 - 1,7A	0,5 - 0,75A	3,1 - 3,3A
Motor Power	300W	50W	300W
Capacitor	10µF	—	20µF
Thermic Protection	150°C	—	150°C
Maximum Thrust	3000 N	2500 N	3000 N
Class IP Protection	44	44	44
Revolutions (speed)	1400 rpm	1600 rpm	1700 rpm
Opening Angle	110° deg	110° deg	110° deg
90° opening time	22"	20"	18"
Leaf's maximum weight	350 Kg	200 Kg	350 Kg
Leaf's maximum length	2,5 m	2,5 m	2,5 m
Duty Cycle	40%	80%	40%

## INSTALLATION OVERVIEW



## MOTOR DIMENSIONS






# ACE TA kit

### Kit Contents:

- Fixed ram operators with moving tow eye
- Control panel with built-in radio receiver
  - Flashing Light 24Vdc
  - Safety photocells
- 2 Transmitters 3-channel
  - Key switch

Model		Max Leaf
Kit ACE 4 TA	230V	2,50 mt
Kit ACE 4 TA FM	230V	2,50 mt
Kit ACE 4 TA 24	24V	2,50 mt
Kit ACE 4 TA 115	115V	2,50 mt



Fixed ram operators with moving tow eye



Control panel, with radio receiver 433,92 Mhz



**RL11T**  
Flashing light 24Vdc



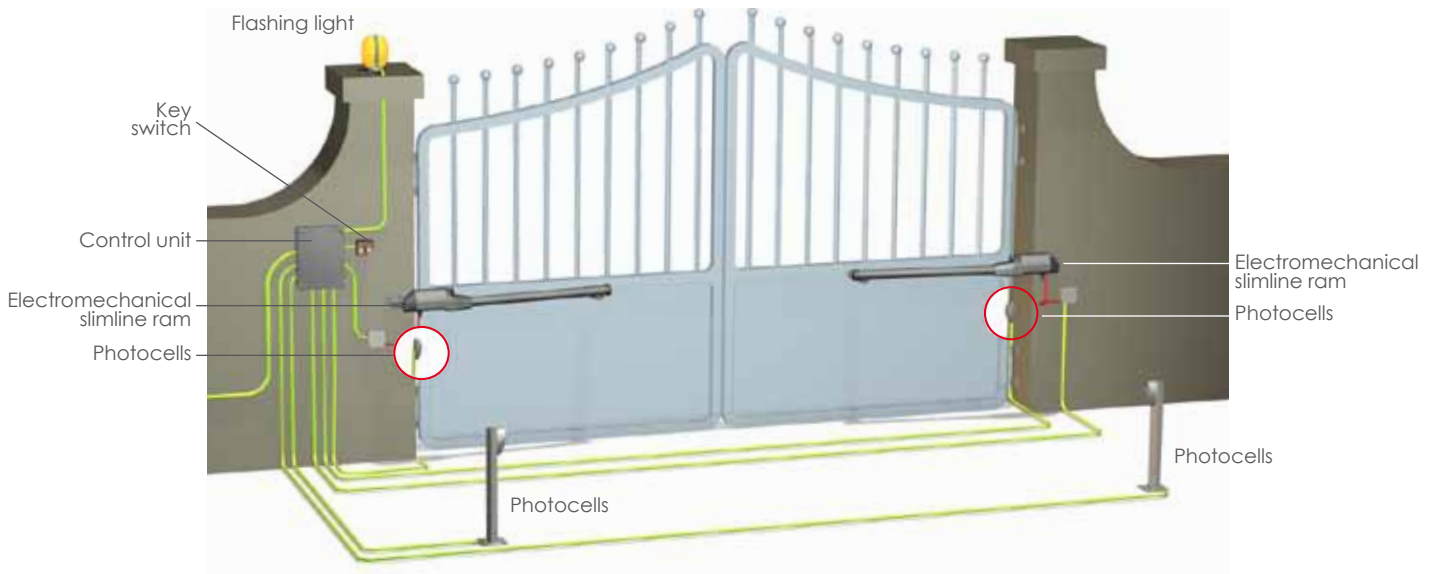
**TX312 new**  
2 Transmitters 3-channel



**RF36**  
Safety photocells



**RS15**  
Key switch



### OPTIONAL ACCESSORIES



**RT35**  
Inox case keypad



**RT36**  
Polycarbonadet keypad



**PANT01**  
Bracket mounted aerial

# LEADER TI



Swing gates

## Electromechanical traditional extending ram for swing gates up to 3.5 m.

### RELIABILITY AND COMPLETENESS

Wide range of systems available in different lengths and voltages, ensure most swing gates for residential and community use can be automated efficiently.

Quiet and reliable operation with its worm screw drive system manufactured with bronze gears and practical release lever by key lock for manual operation.

The electronic controller features: LED display screen for ease of programming and fault diagnosing, adjustable deceleration times of the motors, adjustable Pedestrian Opening feature, adjustable motor working times for custom opening angles.

The 24Vdc version boasts built-in obstacle detection in compliance with the new Machine Directives ensuring this system is safe for use in various applications.

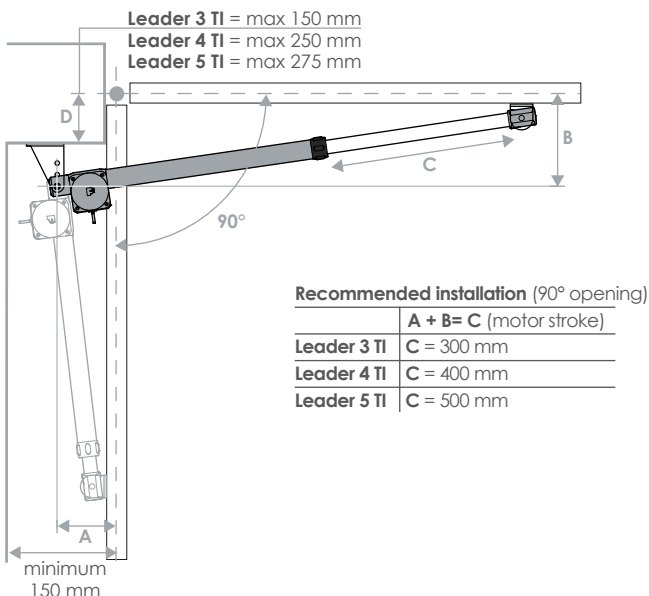
In addition, the automation can be powered by a solar panel or back up batteries for continued operation in the event of power cuts.

Model	Stroke	⏻	Max Leaf
<b>Leader 3 TI</b>	300 mm	230V	2,00 mt
<b>Leader 4 TI</b>	400 mm	230V	2,75 mt
<b>Leader 5 TI</b>	500 mm	230V	3,50 mt
<b>Leader 3 TI 24</b>	300 mm	24V	2,00 mt
<b>Leader 4 TI 24</b>	400 mm	24V	2,50 mt
<b>Leader 5 TI 24</b>	500 mm	24V	3,00 mt
<b>Leader 3 TI 115</b>	300 mm	115V	2,00 mt
<b>Leader 4 TI 115</b>	400 mm	115V	2,75 mt
<b>Leader 5 TI 115</b>	500 mm	115V	3,50 mt

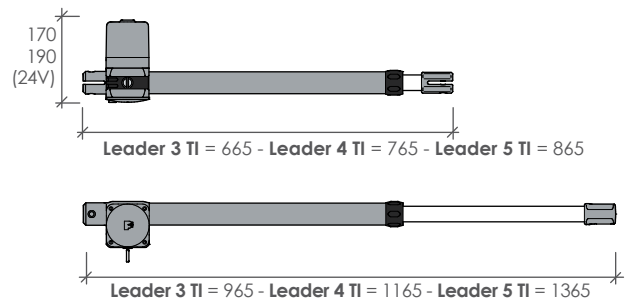
### TECHNICAL SPECIFICATIONS

	<b>Leader 3</b>	<b>Leader 4</b>	<b>Leader 5</b>	<b>Leader 3 24</b>	<b>Leader 4 24</b>	<b>Leader 5 24</b>	<b>Leader 3 115</b>	<b>Leader 4 115</b>	<b>Leader 5 115</b>
Power Supply	230V ~ 50Hz	230V ~ 50Hz	230V ~ 50Hz	24V dc	24V dc	24V dc	115V ~ 60Hz	115V ~ 60Hz	115V ~ 60 Hz
Current	1,2 - 1,7A	1,2 - 2A	1,2 - 1,7A	0,5 - 0,75A	0,5 - 0,75A	0,5 - 0,75A	2,0 - 2,3A	2,0 - 2,3A	2,0 - 2,3A
Motor Power	280W	280W	280W	50W	50W	50W	300W	300W	300W
Capacitor	8µF	8µF	8µF	—	—	—	30µF	30µF	30µF
Thermic Protection	150°C	150°C	150°C	—	—	—	150°C	150°C	150°C
Maximum Thrust	2800 N	2800 N	2800 N	2500 N	2500 N	2500 N	3000 N	3000 N	3000 N
Class IP Protection	44	44	44	44	44	44	44	44	44
Revolutions (speed)	1400 rpm	1400 rpm	1400 rpm	1600 rpm	1600 rpm	1600 rpm	1700 rpm	1700 rpm	1700 rpm
Opening Angle	110° deg	110° deg	110° deg	110° deg	110° deg	110° deg	110° deg	110° deg	110° deg
90° opening time	17"	22"	27"	15"	20"	25"	14"	18"	22"
Leaf's maximum weight	350 Kg	350 Kg	250 Kg	275 Kg	250 Kg	150 Kg	300 Kg	250 kg	200 kg
Leaf's maximum length	2 m	2,75 m	3,5 m	2,0 m	2,5 m	3,0 m	2,0 m	2,75 m	3,50 m
Duty Cycle	40%	40%	40%	80%	80%	80%	40%	40%	40%

### INSTALLATION OVERVIEW




### MOTOR DIMENSIONS



# LEADER TI kit

### Kit Contents:

- Extending ram operators
- Control panel with built-in radio receiver
  - Flashing Light 24Vdc
  - Safety photocells
- 2 Transmitters 3-channel
  - Key switch

Model		Max Leaf
Kit Leader 3 TI	230V	2,00 mt
Kit Leader 4 TI	230V	2,75 mt
Kit Leader 5 TI	230V	3,50 mt
Kit Leader 3 TI 24	24V	2,00 mt
Kit Leader 4 TI 24	24V	2,50 mt
Kit Leader 5 TI 24	24V	3,00 mt
Kit Leader 3 TI 115	115V	2,00 mt
Kit Leader 4 TI 115	115V	2,75 mt
Kit Leader 5 TI 115	115V	3,50 mt



Electromechanical extending ram operators



Control panel, with radio receiver 433,92 Mhz



**RL11T**  
Flashing light 24Vdc



**TX312 new**  
2 Transmitters 3-channel



**RF36**  
Safety photocells



**RS15**  
Key switch

Swing gates



### OPTIONAL ACCESSORIES



**RT35**  
Inox case keypad



**RT36**  
Polycarbonated keypad



**PANT01**  
Bracket mounted aerial

# LEADER TA



Swing gates

**Electromechanical traditional fixed ram with moving tow eye for swing gates up to 3.5 m.**


**POWER AND SAFETY**

Quiet and reliable operation with its worm screw drive system manufactured with bronze gears and practical release lever by key lock for manual operation in the event of power cuts.

The covered tube version can be equipped with mechanical limit switches, adjustable in closing.

The electronic controller features: LED display screen for ease of programming and fault diagnosing, adjustable deceleration times of the motors, adjustable Pedestrian Opening feature, adjustable motor working times for custom opening angles.

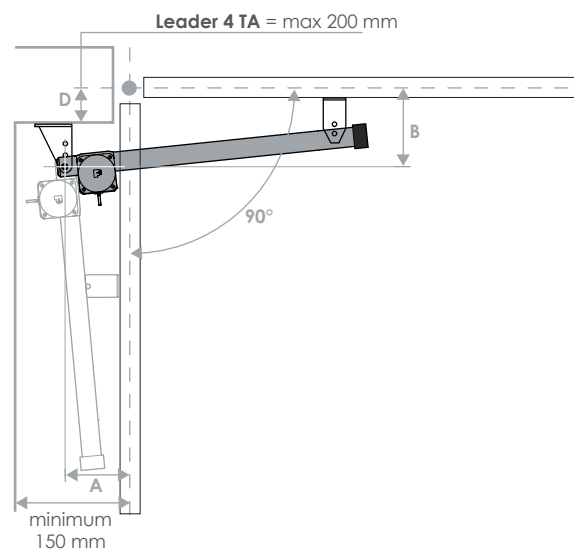
The 24Vdc version boasts built-in obstacle detection in compliance with the new Machine Directives ensuring this system is safe for use in various applications. In addition, the automation can be powered by a solar panel or back up batteries for continued operation in the event of power cuts.

Model	Stroke		Max Leaf
<b>Leader 4 TA</b>	400 mm	230V	2,75 mt
<b>Leader 4 TA FM</b>	400 mm	230V	2,75 mt
<b>Leader 4 TA 24</b>	400 mm	24V	2,50 mt
<b>Leader 4 TA 115</b>	400 mm	115V	2,75 mt

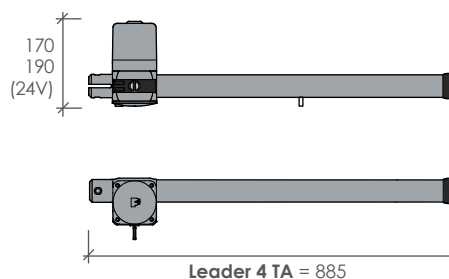
**TECHNICAL SPECIFICATIONS**

	<b>Leader 4 TA</b>	<b>Leader 4 TA 24</b>	<b>Leader 4 TA 115</b>
Power Supply	230V ~ 50Hz	24V dc	115V ~ 60Hz
Current	1,2 - 1,7A	0,5 - 0,75A	2,0 - 2,3A
Motor Power	280W	50W	300W
Capacitor	8µF	—	30µF
Thermic Protection	150°C	—	150°C
Maximum Thrust	2800 N	2500 N	3000 N
Class IP Protection	44	44	44
Revolutions (speed)	1400 rpm	1600 rpm	1700 rpm
Opening Angle	110° deg	110° deg	110° deg
90° opening time	22"	20"	18"
Leaf's maximum weight	300 Kg	200 Kg	200 Kg
Leaf's maximum length	2,75 m	2,5 m	2,75 m
Duty Cycle	40%	80%	40%

**INSTALLATION OVERVIEW**



**MOTOR DIMENSIONS**



# LEADER TA kit

### Kit Contents:

- Fixed ram operators with moving tow eye
- Control panel with built-in radio receiver
  - Flashing Light 24Vdc
  - Safety photocells
- 2 Transmitters 3-channel
  - Key switch



Electromechanical fixed ram operators with moving tow eye



Control panel, with radio receiver 433,92 Mhz



**RL11T**  
Flashing light 24Vdc




**TX312 new**  
2 Transmitters 3-channel



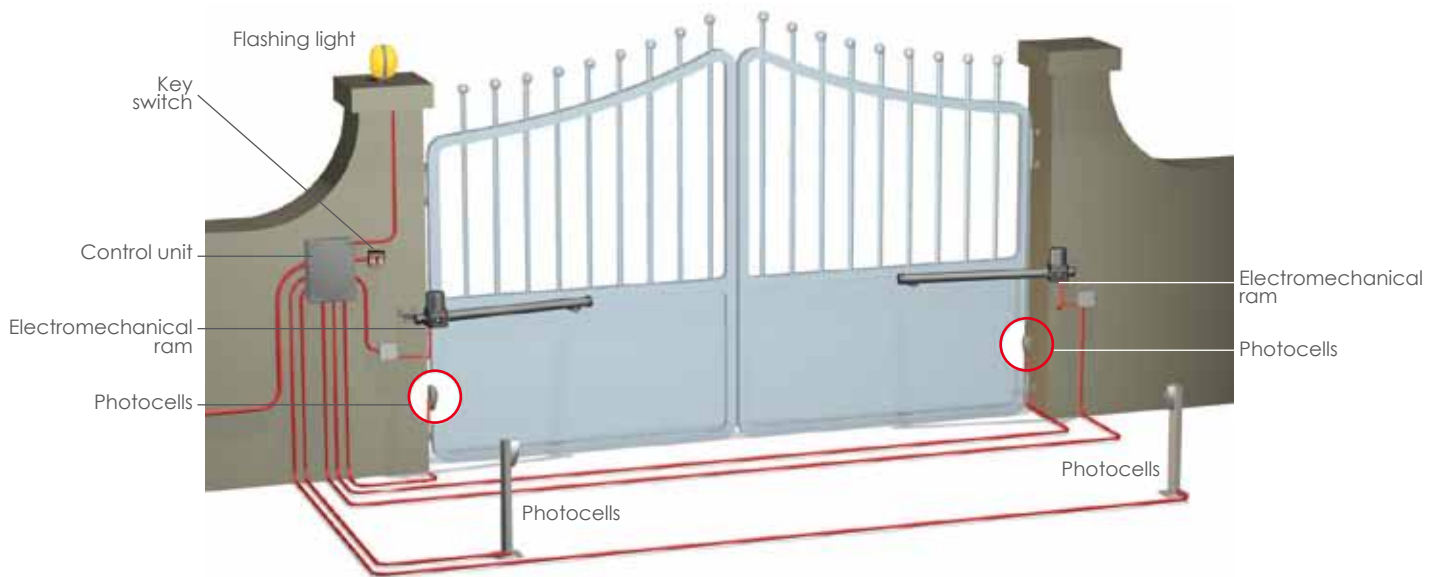
**RF36**  
Safety photocells



**RS15**  
Key switch

Model		Max Leaf
Kit Leader 4 TA	230V	2,75 mt
Kit Leader 4 TA FM	230V	2,75 mt
Kit Leader 4 TA 24	24V	2,50 mt
Kit Leader 4 TA 115	115V	2,75 mt

Swing gates



### OPTIONAL ACCESSORIES



**RT35**  
Inox case keypad



**RT36**  
Polycarbonated keypad



**PANT01**  
Bracket mounted aerial

# ADVANTAGE



**Electromechanical locked opener with articulated arm for swing gates up to 2 m.**

**PRECISION WITH VERSATILITY**

Adjustable electric limit switches to safely regulate the cycles even for the lightest of gates.

Ideal for large pillars, opening inwards and outwards gates, the motor comes complete with spring mounted release system for quick and easy manual operation in the event of power failures.

The 24Vdc version boasts built-in obstacle detection ensuring this system is safe for use in various applications.

In addition, the automation can be powered by a solar panel or back up batteries for continued operation in the event of power cuts.

The embedded electronic control panel features adjustable deceleration times of the motors and adjustable delay time between leaves.

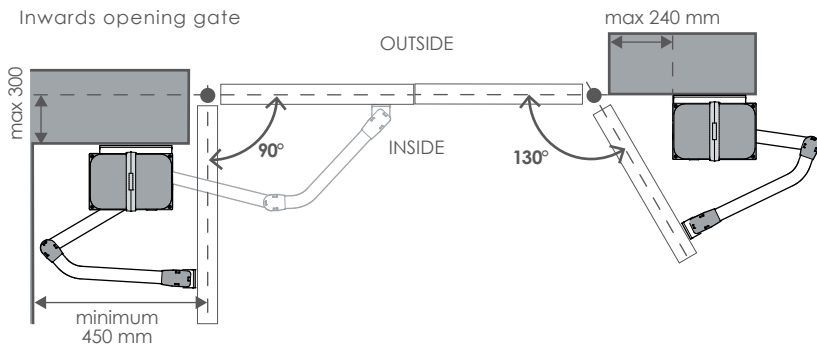
Model		Max Leaf
<b>Advantage</b>	230V	2,00 mt
<b>Advantage 24</b>	24V	2,00 mt
<b>Advantage 115</b>	115V	2,00 mt
<b>Advantage Q80A</b>	230V	2,00 mt

**TECHNICAL SPECIFICATIONS**

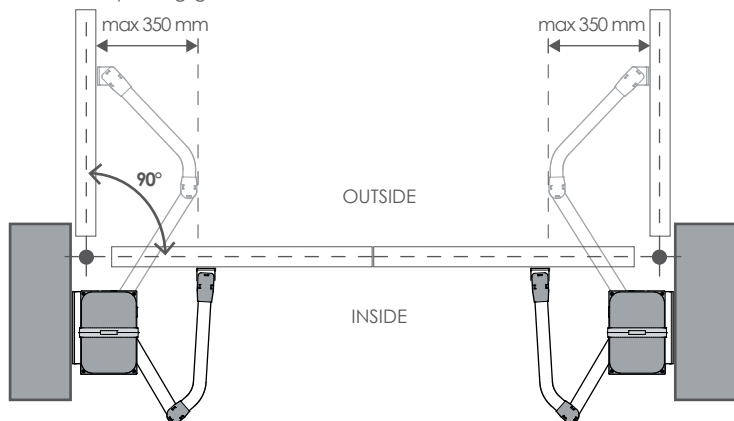
	<b>ADVANTAGE</b>	<b>ADVANTAGE</b>	<b>ADVANTAGE</b>
		<b>24</b>	<b>115</b>
Power Supply	230V ~ 50Hz	24V dc	115V ~ 60Hz
Current	1,2 - 1,7A	0,5 - 0,75A	2,0 - 2,3A
Motor Power	300W	50W	300W
Capacitor	10µF	—	30µF
Thermic Protection	150°C	—	150°C
Maximum Thrust	280 Nm	200 Nm	280 Nm
Class IP Protection	44	44	44
Revolutions (speed)	1400 rpm	1600 rpm	1700 rpm
Opening Angle	130° deg	130° deg	130° deg
90° opening time	18"	14"	14"
Leaf's maximum weight	250 Kg	200 Kg	250 Kg
Leaf's maximum length	2,0 m	2,0 m	2,0 m
Duty Cycle	40%	80%	40%

**INSTALLATION OVERVIEW**

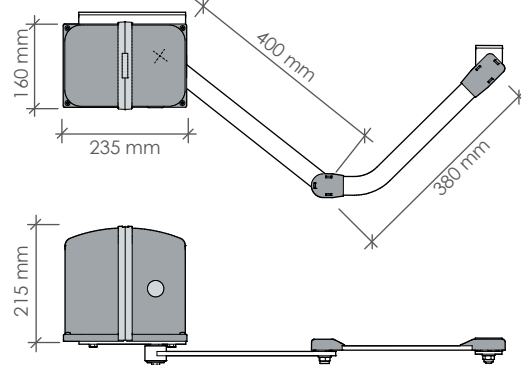
**Inwards opening gate**



**Outwards opening gate**



**MOTOR DIMENSIONS**




# ADVANTAGE kit

### Kit Contents:

- Articulated ram operators
- Embedded control panel with built-in radio receiver
  - Flashing Light 24Vdc
  - Safety photocells
- 2 Transmitters 3-channel
  - Key switch



Gearmotors with control panel, radio receiver 433,92 Mhz

Model		Max Leaf
Kit Advantage	230V	2,00 mt
Kit Advantage 24	24V	2,00 mt
Kit Advantage 115	115V	2,00 mt



**RL11T**  
Flashing light  
24Vdc



**TX312 new**  
2 Transmitters  
3-channel

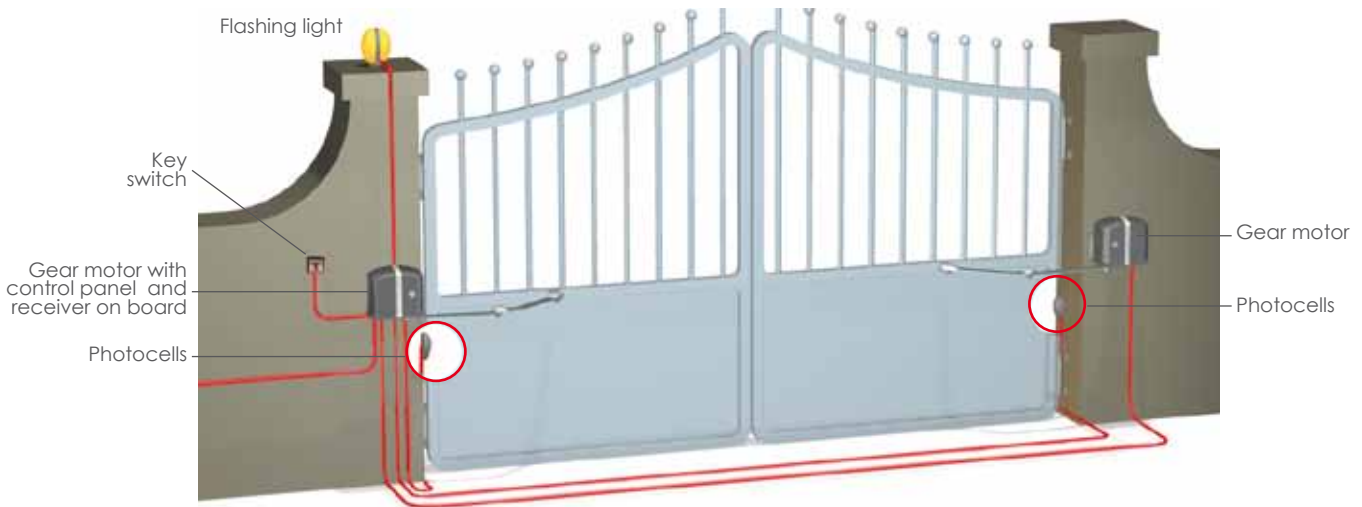


**RF36**  
Safety  
photocells



**RS15**  
Key  
switch

Swing gates



### OPTIONAL ACCESSORIES



**RT35**  
Inox case keypad



**RT36**  
Polycarbonated keypad



**PANT01**  
Bracket mounted aerial

# SHARK




**Electromechanical underground mounted opener for swing gates up to 3 m.**

**STRONG AND STYLISH**

Discrete automation ideal to enhance the aesthetic of prestige and modern construction gates.

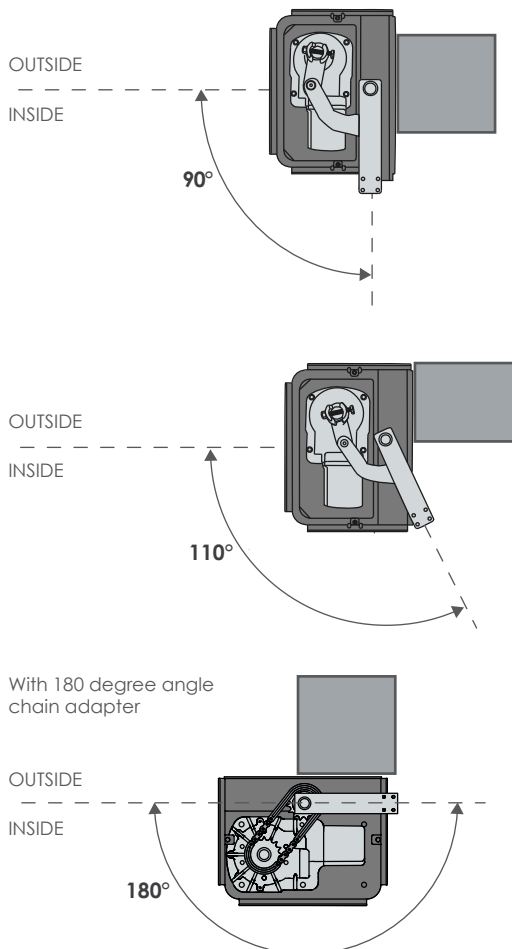
The Aluminium gear box motor is completely sealed in underground chambers to ensure the maximum reliability and resistance over the time. The motor features built-in mechanical limit stops which are adjustable for both opening and closing positions.

The electronic controller features: LED display screen for ease of programming and fault diagnosing, adjustable deceleration times of the motors, adjustable Pedestrian Opening feature, adjustable motor working times for custom opening angles.

Model		Max Leaf
<b>Shark</b>	230V	3,00 mt
<b>Shark 24</b>	24V	2,50 mt

<b>A001</b>	Box for underground installation
<b>A002</b>	Stainless-steel foundation box

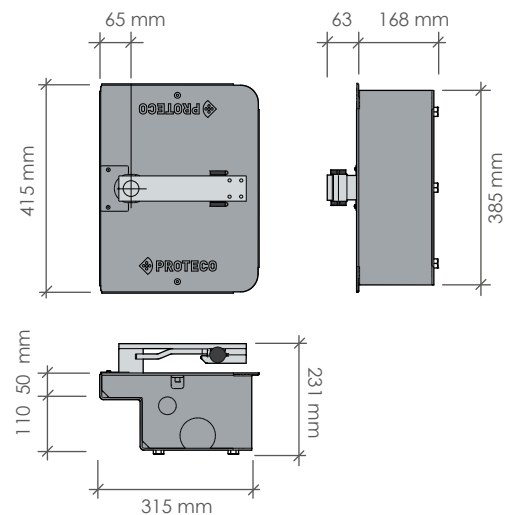
## INSTALLATION OVERVIEW



## TECHNICAL SPECIFICATIONS

	<b>SHARK</b>	<b>SHARK 24</b>
Power Supply	230V ~ 50Hz	24V dc
Current	1,2 - 2A	0,5 - 0,75A
Motor Power	300W	50W
Capacitor	10µF	—
Thermic Protection	150°C	—
Maximum Thrust	350 Nm	230 Nm
Class IP Protection	66	66
Revolutions (speed)	1400 rpm	1600 rpm
Opening Angle	110° deg	110° deg
90° opening time	17"	16"
Leaf's maximum weight	350 Kg	200 Kg
Leaf's maximum length	3,0 m	2,5 m
Duty Cycle	50%	90%

## MOTOR DIMENSIONS






# SHARK kit

### Kit Contents:

- Underground motors with limit stops and foundation boxes
  - Control panel with built-in radio receiver
    - Flashing Light 24Vdc
    - Safety photocells
  - 2 Transmitters 3-channel
  - Key switch

Model		Max Leaf
Kit Shark	230V	3,00 mt
Kit Shark 24	24V	2,50 mt



Underground motors with built-in mechanical limit stops



Control panel, with radio receiver 433,92 Mhz



**RL11T**  
Flashing light 24Vdc



**TX312 new**  
2 Transmitters 3-channel

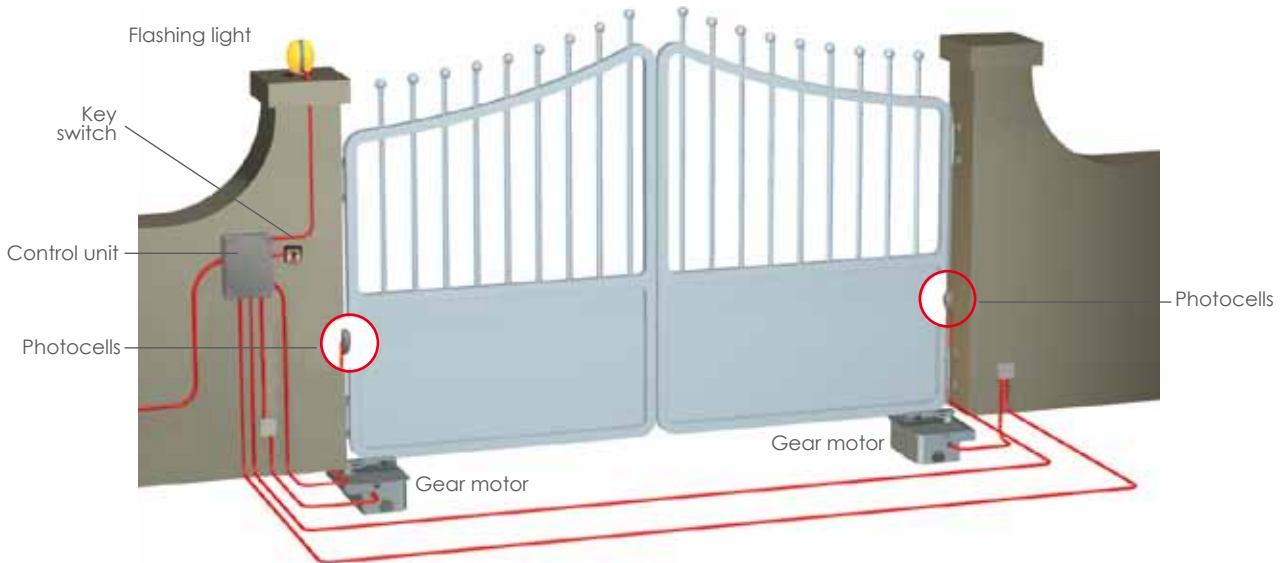


**RF36**  
Safety photocells



**RS15**  
Key switch

Swing gates



### OPTIONAL ACCESSORIES



**A008**  
180° degree angle chain adapter



**RT35**  
Inox case keypad



**RT36**  
Polycarbonated keypad



**PANT01**  
Bracket mounted aerial

# WHEELER



## Wheel-driven electromechanical opener for swing gates.

### INNOVATION AND SIMPLICITY

Quick, simple installation on the leaf edge pushes and pulls the gate to an unlimited opening angle.

An ideal solution for automating long light leaf gates or where the pillar dimensions restrict the range of automation applicable.


Also, outward opening gates can be automated.

The automation is suitable for driveways and walkways with smooth compact surface. Due to the design of the motors fixing bracket, it can move up and down to 20 cm difference in height or inclination of the driveway slope.

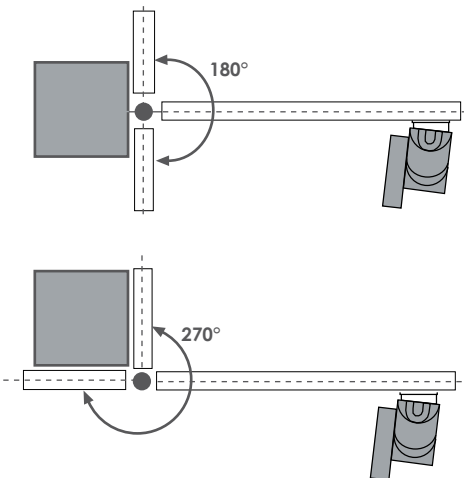
Available in locked version (230v or 24V) or reversible version (230V).

Discrete automation ideal to enhance the aesthetic of prestige and modern construction gates.

The electronic controller features: LED display screen for ease of programming and fault diagnosing, adjustable deceleration times of the motors, adjustable Pedestrian Opening feature, adjustable motor working times for custom opening angles.

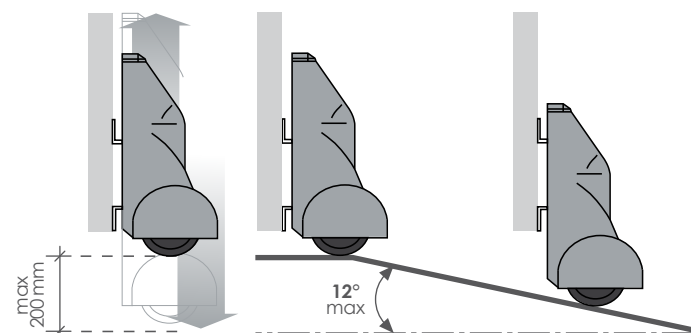
Model		 Max Leaf
<b>Wheeler R</b>	Reversible	230V 150 Kg
<b>Wheeler B</b>	Blocked	230V 150 Kg
<b>Wheeler B 115</b>	Blocked	115V 150 kg
<b>Wheeler B 24</b>	Blocked	24V 150 kg

### INSTALLATION OVERVIEW

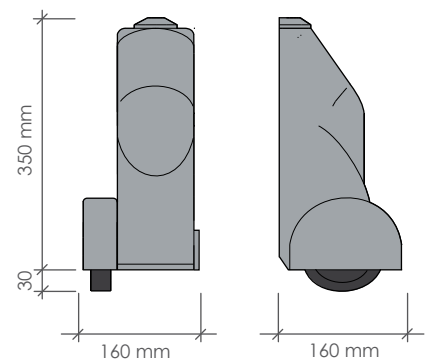


### TECHNICAL SPECIFICATIONS

	<b>WHEELER B</b>	<b>WHEELER R</b>	<b>WHEELER 24</b>	<b>WHEELER B 115</b>
Power Supply	230V ~ 50Hz	230V ~50Hz	24V dc	115V ~60Hz
Current	1,2 - 1,7A	1,2 - 1,7A	0,5 - 0,75A	2,0 - 2,3A
Motor Power	280W	250W	50W	300W
Capacitor	8µF	8µF	—	30µF
Thermic Protection	150°C	150°C	—	150°C
Maximum Thrust	11 Nm	10 Nm	8 Nm	11 Nm
Class IP Protection	44	44	44	44
Revolutions (speed)	1400 rpm	900 rpm	1600 rpm	1700 rpm
Maximum opening angle	NO LIMIT	NO LIMIT	NO LIMIT	NO LIMIT
Opening Speed	20 m/min	20 m/min	24 m/min	20 m/min
Leaf's maximum weight	150 Kg	150 Kg	150 Kg	150 Kg
Duty cycle	30%	30%	80%	30%
Maximum rise/fall	200 mm	200 mm	200 mm	200 mm
Maximum slope angle	12° deg	12° deg	12° deg	12° deg




### MOTOR DIMENSIONS



# WHEELER kit

### Kit Contents:

- Wheel-driven openers
- Control panel with built-in radio receiver
  - Flashing Light 24Vdc
  - Safety photocells
- 2 Transmitters 3-channel
  - Key switch
  - Electric lock

Model		Max Leaf
Kit Wheeler B	230V	150 Kg
Kit Wheeler R	230V	150 Kg
Kit Wheeler B 115	115V	150 Kg
Kit Wheeler 24	24V	150 Kg



Wheel-driven electromechanical motors



Control panel, with radio receiver 433,92 Mhz



**RL11T**  
Flashing light  
24Vdc



**TX312 new**  
2 Transmitters  
3-channel



**RF36**  
Safety photocells

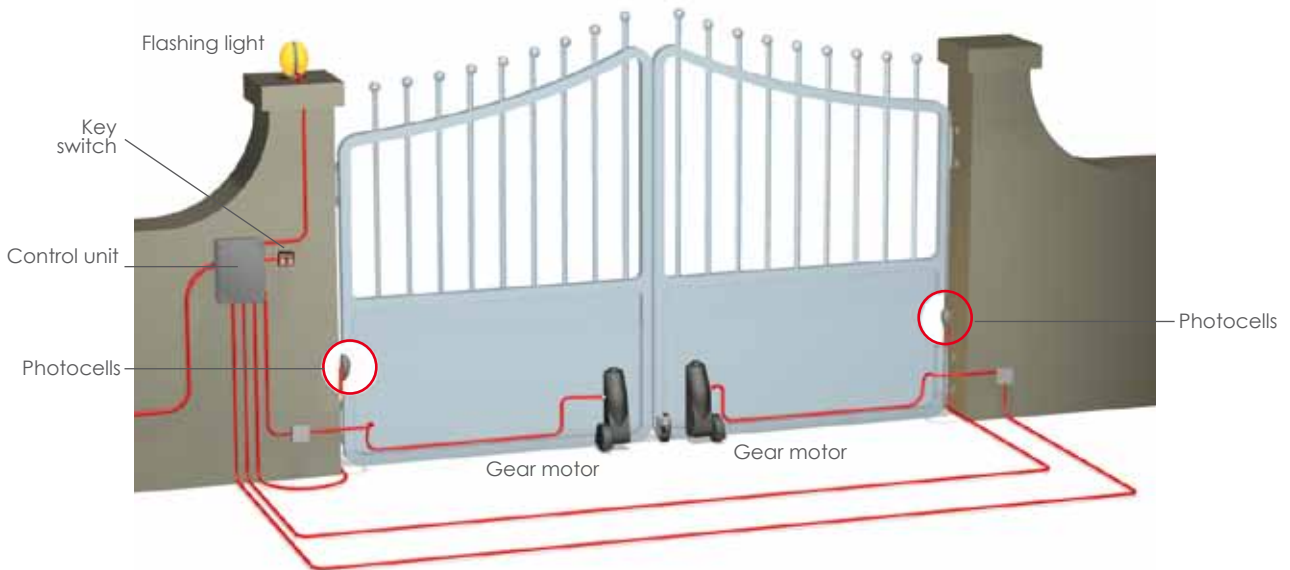


**RS15**  
Key switch



**RT18**  
Electro-lock

Swing gates



### OPTIONAL ACCESSORIES



**RT35**  
Inox case keypad



**RT36**  
Polycarbonated keypad



**PANT01**  
Bracket mounted aerial



## Sliding Gate Automation

The successful families of gear motors for sliding gates constitute Proteco's core production. The high performance, sturdiness and capability of these motors, result from years of experience and passion, underpinned by the choice of superior metals in the motor construction.

Control unit is embedded inside, providing a safe protection from cold and dust, and at the same time, an easy access to programming. Low voltage models are enhanced by the provision of a back-up battery allowing continued operation during a power-cut.

New Mag models feature the electromagnetic detection of the limit brackets, assuring elegance, quietness and maximum reliability in all kinds of weather conditions.

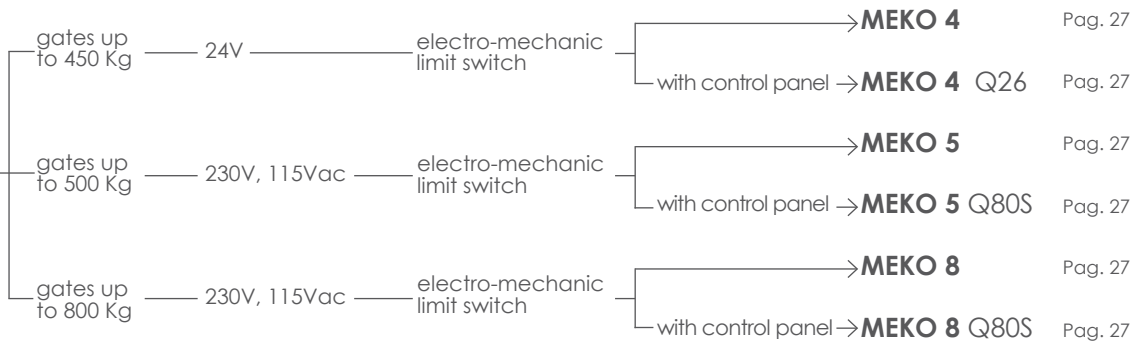


# Sliding gates

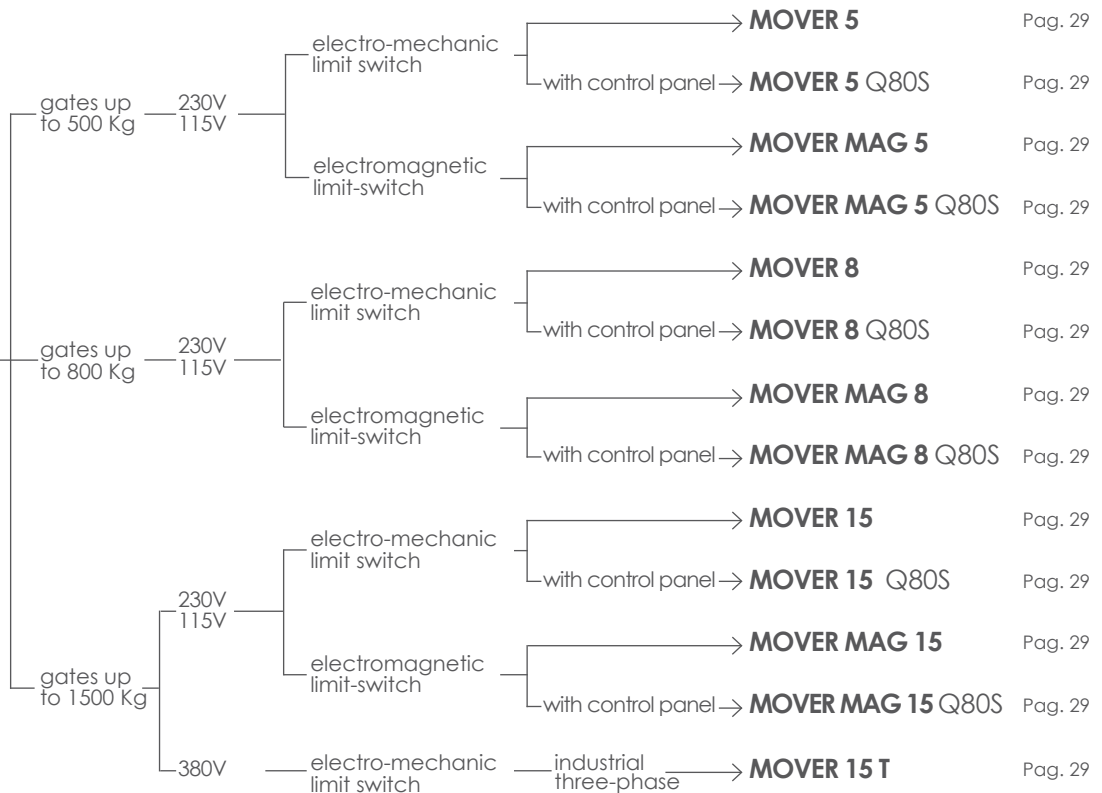
## Selection Guide



**MEKO**  
Rack-driven gear motor



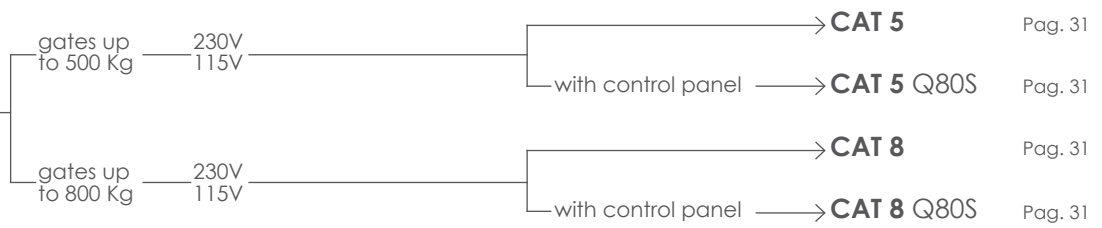
**MOVER**  
Rack-driven gear motor



# Sliding gates Selection Guide



**CAT**  
Chain-driven  
gear motor



**Sliding gate RACKS**

Pag. 33



**Sliding gate CHAINS**

Pag. 34

# MEKO



## Sliding gate automation for rack-driven gates up to 800 Kg.

ELEGANT, QUICK, PROFESSIONAL

Slim compact design, pleasantly suitable to even the most modern gate. Sandblasted aluminium casting, inox ball treated.

Quiet drive motor with sturdy practical release system protected by a key lock.

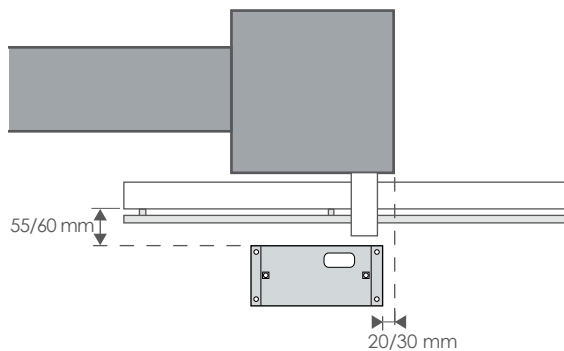
Embedded prewired control unit with deceleration adjustment, pedestrian opening feature e timer management.

Model	⏻	Max weight	Control Panel
<b>Meko 4</b>	24V	450 Kg	-
<b>Meko 4 Q26</b>	24V	450 Kg	Q26
<b>Meko 5</b>	230V	500 Kg	-
<b>Meko 5 Q80S</b>	230V	500 Kg	Q80S
<b>Meko 5 115</b>	115V	500 Kg	-
<b>Meko 8</b>	230V	800 Kg	-
<b>Meko 8 115</b>	115V	800 Kg	-
<b>Meko 8 Q80S</b>	230V	800 Kg	Q80S

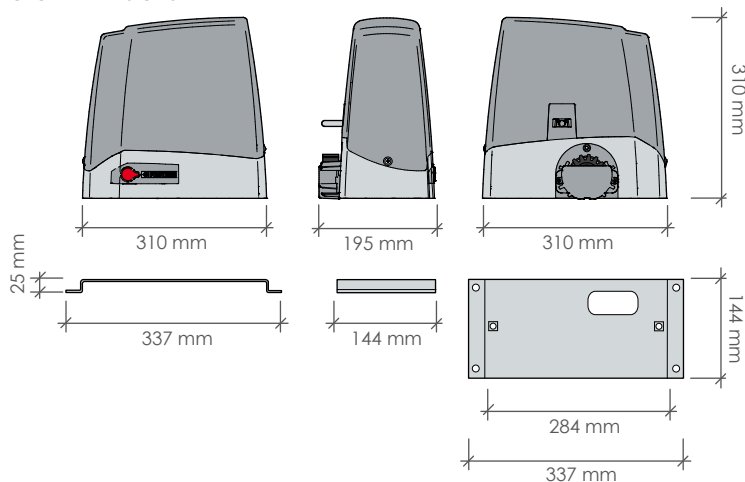
### TECHNICAL SPECIFICATIONS

	MEKO 5	MEKO 8	MEKO 4	MEKO 5 115	MEKO 8 115
Power Supply	230V ~ 50Hz	230V ~ 50Hz	24Vdc	115V ~ 60Hz	115V ~ 60Hz
Current	1,2 - 1,7A	1,2 - 2A	0,7 - 10A	2,0 - 2,3A	2,8 - 3,2A
Motor Power	250W	300W	80W	280W	330W
Capacitor	8µF	10µF	--	30µF	30µF
Thermic Protection	150°C	150°C	--	150°C	150°C
Maximum Thrust	350 N	440 N	350 N	380 N	460 N
Class IP Protection	44	44	44	44	44
Revolutions (speed)	1400 rpm	1400 rpm	1600 rpm	1700 rpm	1700 rpm
Opening Speed	10,5 m/min	10,5 m/min	11 m/min	13 m/min	13 m/min
Gate Maximum Weight	500 Kg	800 Kg	450 Kg	500 Kg	800 Kg
Duty Cycle	40%	40%	80%	40%	40%

### INSTALLATION OVERVIEW



### MOTOR DIMENSIONS






# MEKO kit

### Kit Contents:

- Gear motor with control unit and built-in radio receiver
  - Flashing Light 24Vdc
  - Safety photocells
- 2 Transmitters 3-channel
  - Key switch
- 4 meters rack



Gearmotor complete with control panel, radio receiver 433,92 Mhz

Model		Max weight
Kit Meko 4	24V	450 kg
Kit Meko 5	230V	500 kg
Kit Meko 5 115	115V	500 kg
Kit Meko 8	230V	800 kg
Kit Meko 8 115	115V	800 kg



**RL11T**  
Flashing light 24Vdc



**TX312 new**  
2 Transmitters 3-channel



**RF36**  
Safety photocells

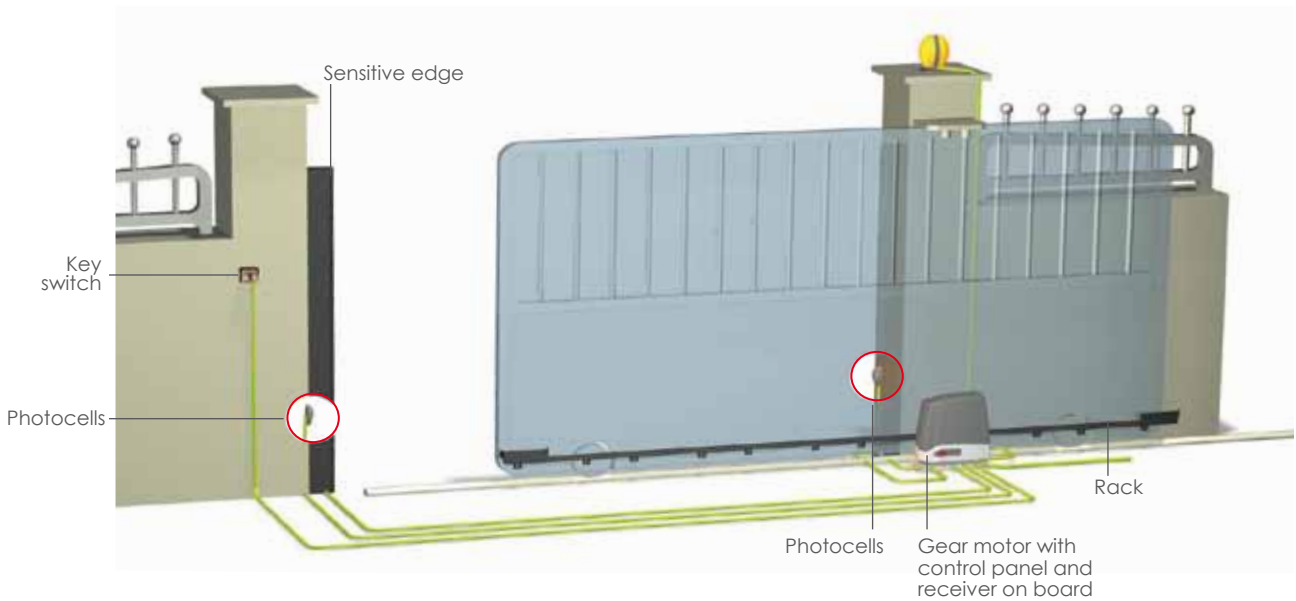


**RS15**  
Key switch



**B117**  
4 meters rack

Sliding gates



### OPTIONAL ACCESSORIES



**RC 23**  
Safety edge 2m(L) x 60mm(D)



**RT35**  
Inox case keypad



**RT36**  
Polycarbonated keypad



**B102**  
Galvanized steel rack



**PANT01**  
Bracket mounted aerial

# MOVER



Sliding gate automation for rack-driven gates up to 1500 Kg, for residential and community use.

RELIABLE, SIMPLE, VERSATILE

Aluminium casting, bronze gear transmission system for a long lasting life. Very quick and simple release system.

Reduced dimensions make the installation suitable even with limited space for installation.

Ground plate adjustable in height for an accurate and simple installation.

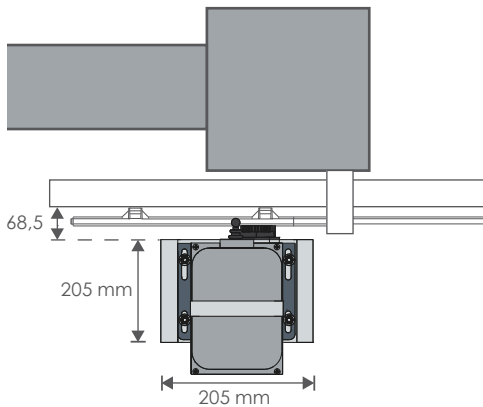
MAG models available - fitted with a magnetic limit switch system in order to facilitate the operation under special weather or installation conditions.

Model	Power	Max weight
<b>Mover 5</b>	230V	500 Kg
<b>Mover 5 115</b>	115V	500 Kg
<b>Mover 8</b>	230V	800 Kg
<b>Mover 8 115</b>	115V	800 Kg
<b>Mover 15</b>	230V	1500 Kg
<b>Mover 15 115</b>	115V	1500 Kg
<b>Mover 15 T</b>	380V	1500 Kg
<b>Mover MAG 5</b>	230V	500 Kg
<b>Mover MAG 8</b>	230V	800 Kg
<b>Mover MAG 15</b>	230V	1500 Kg

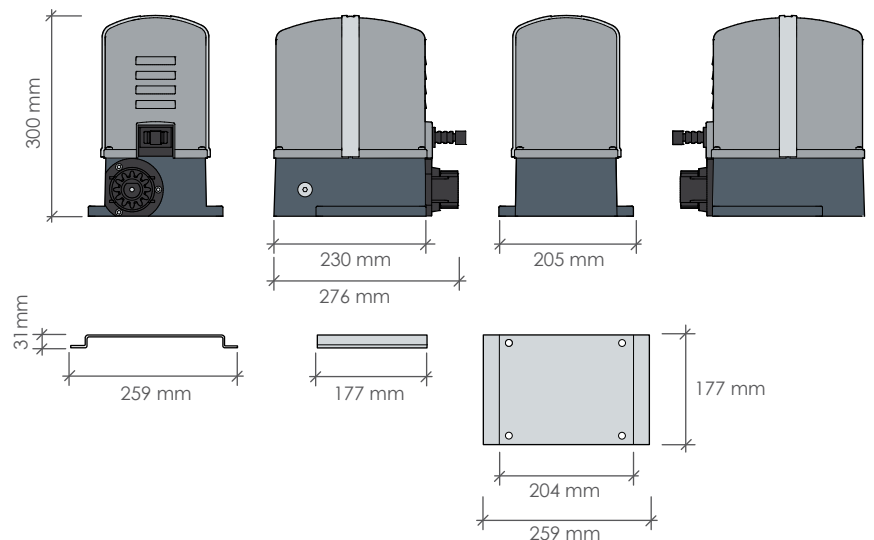
## TECHNICAL SPECIFICATIONS

	<b>MOVER 5</b>	<b>MOVER 8</b>	<b>MOVER 15</b>	<b>MOVER 15 T</b>	<b>MOVER 5 115</b>	<b>MOVER 8 115</b>	<b>MOVER 15 115</b>
Power Supply	230V ~ 50Hz	230V ~ 50Hz	230V ~ 50Hz	380V	115V ~ 60Hz	115V ~ 60Hz	115V ~ 60Hz
Current	1,2 - 1,7A	1,2 - 2A	3A	1,3A	2 - 3,2A	2,8 - 3,2A	6,4 - 6,6A
Motor Power	250W	300W	600W	600W	280W	330W	600W
Capacitor	8µF	10µF	20µF	—	30µF	30µF	60µF
Thermic Protection	150°C	150°C	150°C	150°C	150°C	150°C	150°C
Maximum Thrust	350 N	440 N	550 N	600 N	380 N	460N	600N
Class IP Protection	44	44	44	44	44	44	44
Revolutions (speed)	1400 rpm	1400 rpm	1400 rpm	1400 rpm	1700 rpm	1700 rpm	1700 rpm
Opening Speed	8,5 m/min	8,5 m/min	8,5 m/min	8,5 m/min	11 m/min	11 m/min	11 m/min
Gate Maximum Weight	500 Kg	800 Kg	1500 Kg	1500 Kg	500 Kg	800 Kg	1500 Kg
Duty Cycle	40%	40%	40%	40%	40%	40%	40%

## INSTALLATION OVERVIEW



## MOTOR DIMENSIONS




# MOVER kit

### Kit Contents:

- Gear motor with control unit and built-in radio receiver
  - Flashing Light 24Vdc
  - Safety photocells
- 2 Transmitters 3-channel
  - Key switch
- 4 meters rack



Gearmotor complete with control panel, radio receiver 433,92 Mhz

Model		Max weight
Kit Mover 5	230V	500 kg
Kit Mover 5 115	115V	500 kg
Kit Mover 8	230V	800 kg
Kit Mover 8 115	115V	800 kg
Kit Mover 15	230V	1500 kg
Kit Mover 15 115	115V	1500 kg

Kit Mover MAG 5	230V	500 kg
Kit Mover MAG 8	230V	800 kg
Kit Mover MAG 15	230V	1500 kg



**RL11T**  
Flashing light 24Vdc



**TX312 new**  
2 Transmitters 3-channel



**RF36**  
Safety photocells

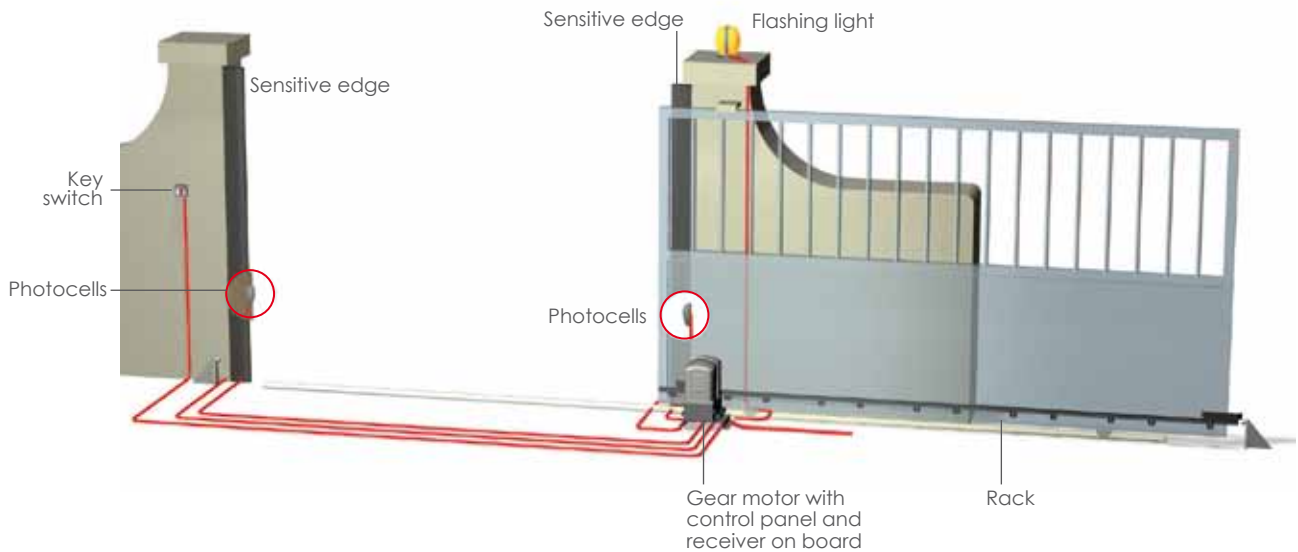


**RS15**  
Key switch



**B117**  
4 meters rack

Sliding gates



### OPTIONAL ACCESSORIES



**RC 23**  
Safety edge 2m(L) x 60mm(D)



**RT35**  
Inox case keypad



**RT36**  
Polycarbonated keypad



**B102**  
Galvanized steel rack



**PANT01**  
Bracket mounted aerial



## Sliding gate automation for chain-driven gates up to 800 Kg.

### PRACTICAL, COMPLETE

Chain driven automation, the ideal solution for those existing gates whose mechanical conditions limit the use of the traditional toothed rack.

Installation is even quicker and easier.

Precise chain tightening to allow perfect installation which safeguards the aesthetics of the gate.

Motor prewired control unit featuring adjustments of the motor deceleration times, adjustments of pedestrian opening feature and adjustments of motor working times.



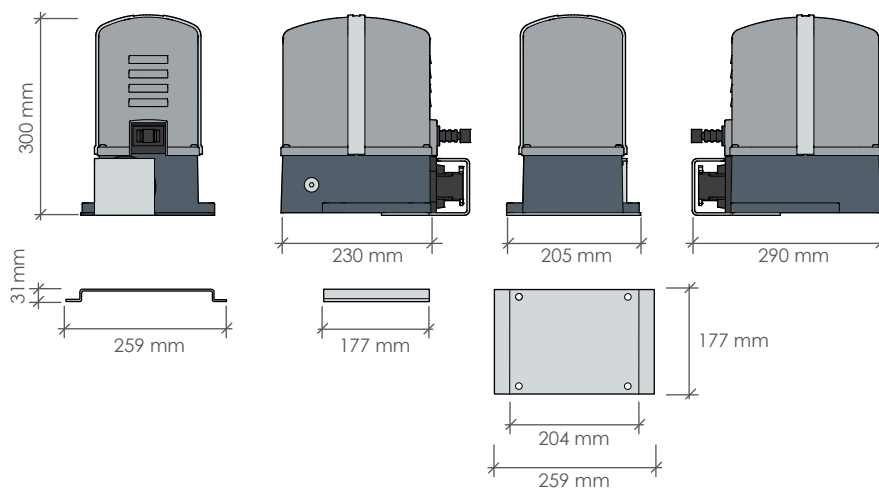
Pinion Z18 3/8 "

Model	Power	Max weight
<b>Cat 5</b>	230V	500 Kg
<b>Cat 8</b>	230V	800 Kg

### TECHNICAL SPECIFICATIONS

	<b>CAT 5</b>	<b>CAT 8</b>	<b>CAT 5 115</b>	<b>CAT 8 115</b>
Power Supply	230V ~ 50Hz	230V ~ 50Hz	115V ~ 60Hz	115V ~ 60Hz
Current	1,2 - 1,7A	1,2 - 2A	2,0 - 2,3A	2,8 - 3,2A
Motor Power	250W	300W	280W	330W
Capacitor	8µF	10µF	30µF	30µF
Thermic Protection	150°C	150°C	150°C	150°C
Maximum Thrust	350 N	440 N	380 N	460 N
Class IP Protection	44	44	44	44
Revolutions (speed)	1400 rpm	1400 rpm	1700 rpm	1700 rpm
Opening Speed	8,5 m/min	8,5 m/min	10 m/min	10 m/min
Gate Maximum Weight	500 Kg	800 Kg	500 Kg	800 Kg
Duty Cycle	40%	40%	40%	40%

### MOTOR DIMENSIONS



# CAT kit

### Kit Contents:

- Gear motor with control unit and built-in radio receiver
  - Flashing Light 24Vdc
  - Safety photocells
- 2 Transmitters 3-channel
  - Key switch
- 5 meters chain 3/8"



Gearmotor complete with control panel, radio receiver 433,92 Mhz



**RL11T**  
Flashing light 24Vdc



**TX312 new**  
2 Transmitters 3-channel




**RF36**  
Safety photocells



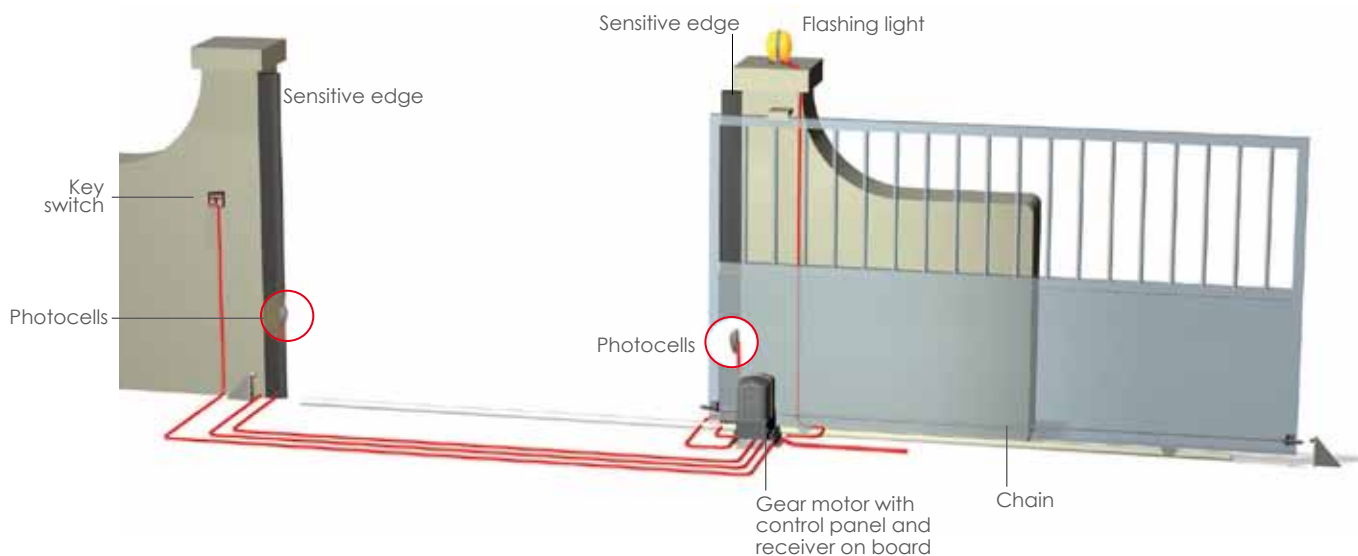
**RS15**  
Key switch



**C102**  
5 meters chain 3/8 "

Model		Max weight
Kit Cat 5	230V	500 kg
Kit Cat 8	230V	800 kg

Sliding gates



### OPTIONAL ACCESSORIES



**RC 23**  
Safety edge 2m(L) x 60mm(D)



**RT35**  
Inox case keypad



**RT36**  
Polycarbonated keypad



**PANT01**  
Bracket mounted aerial



## Rack and Chain

### Racks

**B117**



Description  
**B117** M4 – PVC rack 20 x 26 mm, with metal support frame  
2 x 0.5 m bars each meter

**B114**



**B114** M4 – PVC rack 20 x 26 mm, with metal support frame  
1 x 1 m bar each meter

**B102**



**B102** M4 – Galvanized stainless steel rack 12 x 30 mm  
1 x 1 m bar each meter



# Chain

C102



	Description
C102	3/8 inches chain for CAT sliding automation *each meter
	* 5m pack



# Garage Door Automation

## Selection Guide



### LIBRA

Chain-driven garage door opener

Maximum lift 60 Kg

Maximum lift 100 Kg

→ **LIBRA**

Pag. 37

→ **LIBRA PLUS**

Pag. 37



### RALLYE

Chain-driven garage door opener

Maximum lift 60 Kg

Maximum lift 120 Kg

→ **RALLYE 60**

Pag. 39

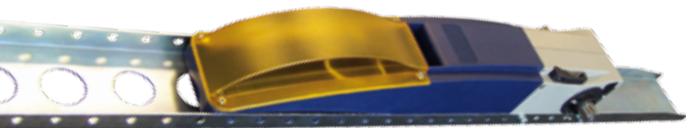
→ **RALLYE 120**

Pag. 39





## Selection Guide



**SWING**  
Up-and-Over garage door opener

Maximum door's width 8 m<sup>2</sup>

→ **SWING**

Pag. 41

# LIBRA



**Opener for sectional or spring-balanced garage doors up to 12m<sup>2</sup> wide and 100Kg of weight.**

## EASY COMFORT

Irreversible 24V motor for residential garage doors complete with embedded control unit and encoder-type limit switch system.

Quick and easy programming thanks to the keypad and display screen visible on the motor's cover.

Control board features: automatic programming of the working times, soft-start and soft-stop for efficient noise reduction, anti-crushing system with adjustable obstacle detection and automatic closing functions and alert for when garage door is left open.

Emergency release system from inside the garage in the event of power failure.

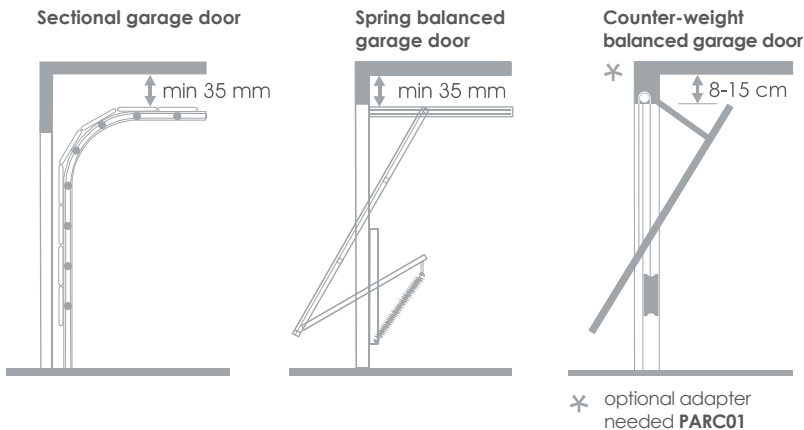
Suitable for light to heavy use, the LIBRA is available in two versions and can be installed on counterweights balanced garage doors using the optional adapter.

Garage door

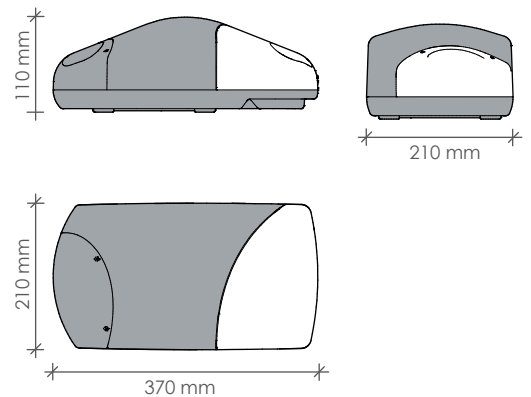
## TECHNICAL SPECIFICATIONS

	LIBRA	LIBRA PLUS
Motor Power supply	24Vdc	24Vdc
Current (stand-by mode)	4 W	4W
Motor Power	100 W	150 W
Class IP Protection	40	40
Pulling Force	700 N	1100 N
Opening Time	17"	17"
Door maximum size	8 m <sup>2</sup>	12 m <sup>2</sup>
Door maximum weight	60 Kg	100 Kg
Door maximum height	2,4 m	2,4 m
Duty Cycle	80%	80%
Rail length	3 m	3,3 m

## INSTALLATION OVERVIEW



## MOTOR DIMENSIONS



# LIBRA kit



### Kit Contents :

- Motor with control panel and built-in radio receiver
  - 3 -pieces rail (3.3m for LIBRA Plus models)
  - 1 Transmitter 3-channel

Model		Lift Power	Rail
<b>Libra</b>	24V	700N - 60Kg	3,00 mt
<b>Libra Plus</b>	24V	1100N - 100Kg	3,30 mt



Garage door

### OPTIONAL ACCESSORIES



**MLIR07**  
Release system (external) for garage opener



**ARC01**  
Adpater bracket for counterweight balanced doors

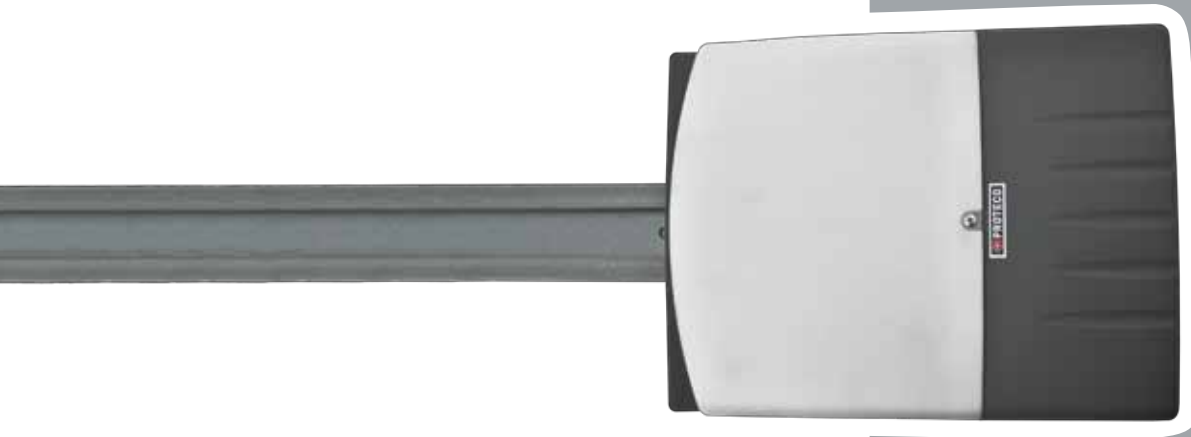


**RF36**  
Safety photocells



**RC 22**  
Sensitive edge 25mm (2,5 m length)

# RALLYE



**Opener for sectional or spring-balanced garage doors up to 14m<sup>2</sup> wide and 120Kg of weight.**

#### POWER AND RELIABILITY

24V garage door automation, complete with embedded control unit, courtesy light and adjustable mechanical limit switches.

The remote control radio receiver is supplied within its own case with an aerial so it can be installed outside the garage to maximize the radio range. The automation is quiet and reliable day after day thanks to the soft-start and soft-stop function.

An optional flashing light can be installed to the system to signal the door movement.

Maximum safety: in case of power failure the door can be manually opened from inside as well as from outside the garage thanks to an external release system included within the kit.

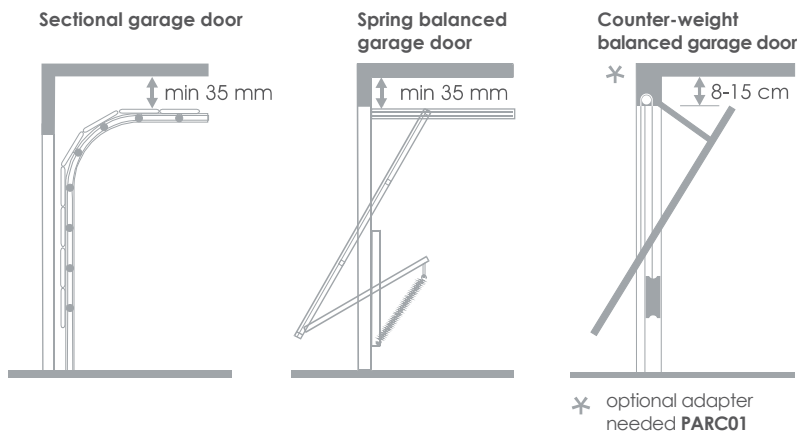
Suitable also for intensive use, the RALLYE can be fitted counterweight-balanced garage doors using the optional adapter.

Garage door

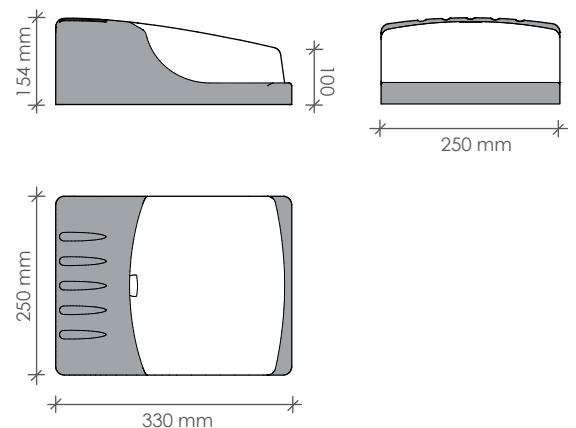
#### TECHNICAL SPECIFICATIONS

	<b>RALLYE 60</b>	<b>RALLYE 120</b>
Motor Power supply	24Vdc	24Vdc
Motor Power	115 W	320 W
Class IP Protection	40	40
Pulling Force	600 N	1200 N
Opening Speed	12 cm/sec.	14 cm/sec.
Door maximum size	8 m <sup>2</sup>	14 m <sup>2</sup>
Door maximum weight	60 Kg	120 Kg
Minimum headroom from ceiling	35 mm	35 mm
Duty Cycle	80%	80%
Rail length	3 m	3 m

#### INSTALLATION OVERVIEW



#### MOTOR DIMENSIONS

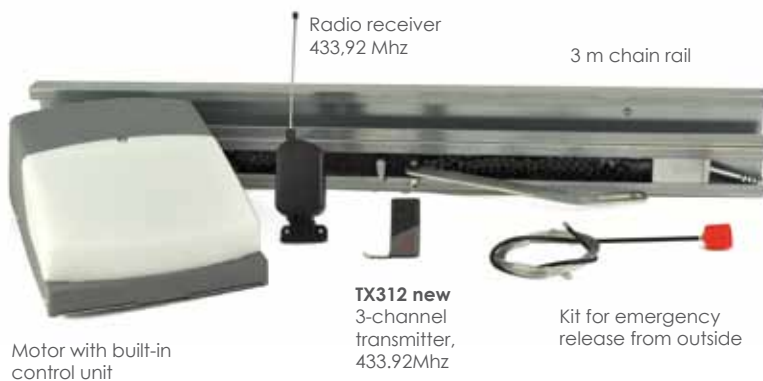


# RALLYE kit



### Kit Contents:

- Motor with control panel
- One-channel radio receiver with aerial and case
  - 3 meters rail
- 1 Transmitter 3-channel
- External release system



Model		Lift Power	Rail
RALLYE 60	24V	600N - 60 Kg	3,00 m
RALLYE 120	24V	1200N - 120 Kg	3,00 m

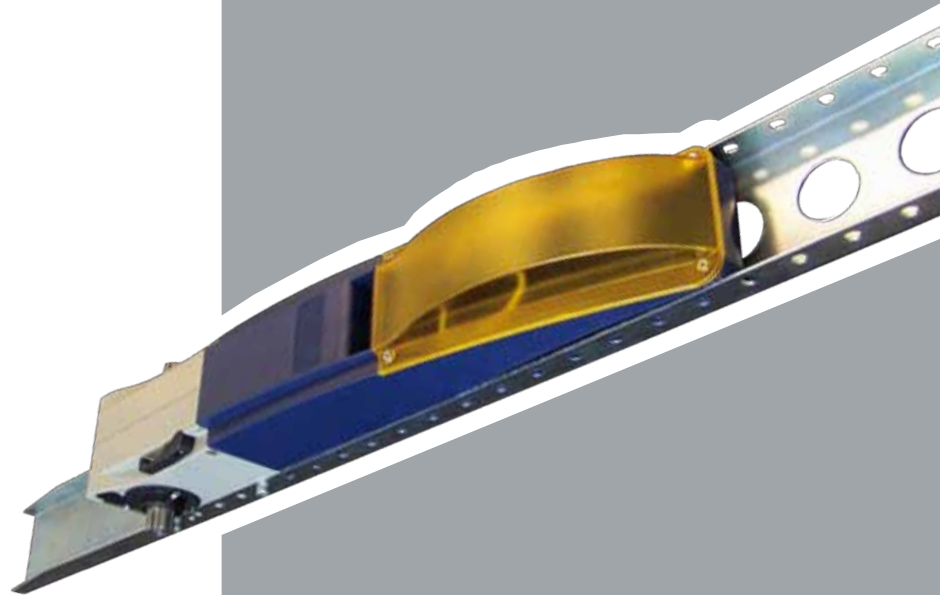


### OPTIONAL ACCESSORIES



Garage door

# SWING



**230V opener for spring-balanced garage doors up to 8 m<sup>2</sup> wide.**

PROFESSIONAL AND VERSATILE

Adjustable electromechanical limit switch system. Embedded control unit with built-in radio receiver, featuring adjustment of motor torque, adjustment of the deceleration times and fault warnings.

Easy to install: the kit includes the fixing bar on the door. Safety and security: the irreversible motor ensures that the door will remain closed even without any lock installed.

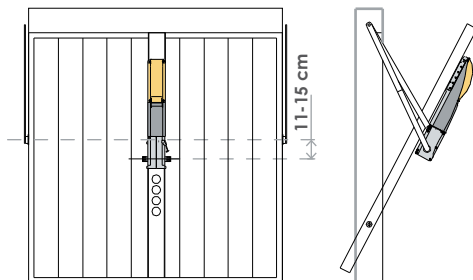
Built-in flashing light for warning when automation is in progress and emergency release system for the automation from the inside of the door to be used in cases of a power failure.

In situations where there is a pre-existing door-lock, an emergency opening system from the outside is available as an optional accessory.

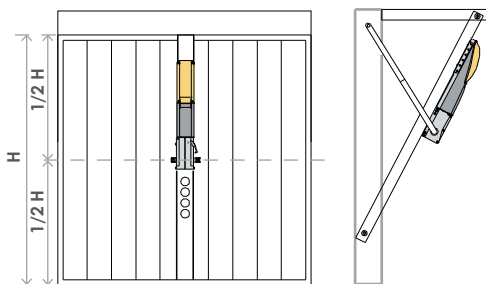
Model	Description
<b>Swing CN</b>	Gear motor with 1,2 m door fixing bar and limit stops.
<b>Swing C</b>	Gear motor with 1,2 m door fixing bar, limit stops and control panel.

## INSTALLATION OVERVIEW

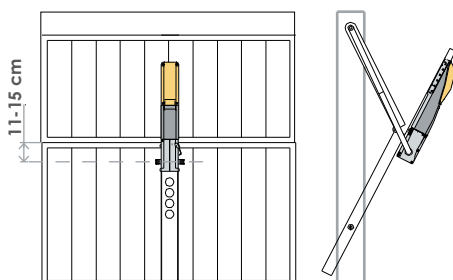
Track-less  
1-piece  
door



Track  
operated  
door



Folding  
door

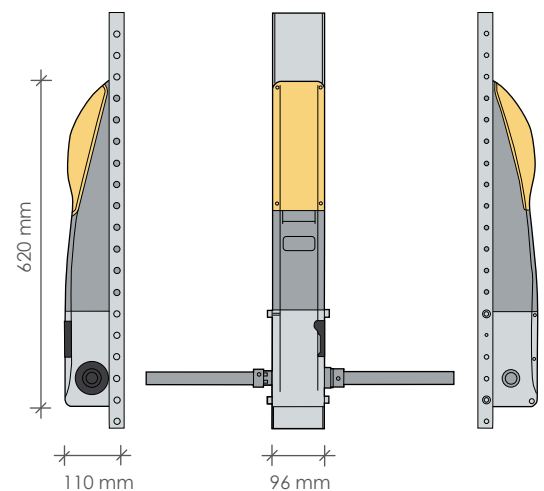


## TECHNICAL SPECIFICATIONS

### SWING

Motor Power supply	230V ~ 50Hz
Current	1,0 A
Motor Power	300 W
Capacitor	10 µF
Class IP Protection	54
Revolutions (speed)	1400 rpm
Opening time	18"
Door maximum size	8 m <sup>2</sup>
Duty Cycle	50%

## MOTOR DIMENSIONS





**OPTIONAL ACCESSORIES**



**E 102/C**  
Brackets set for central door fixing



**E102/L**  
Brackets set for lateral door fixing



**E101**  
Release system for pre-existing door-lock



**TX312 new**  
3-channel radio transmitter



**RL11T**  
24Vdc Flashing light



**RF36**  
Safety photocells

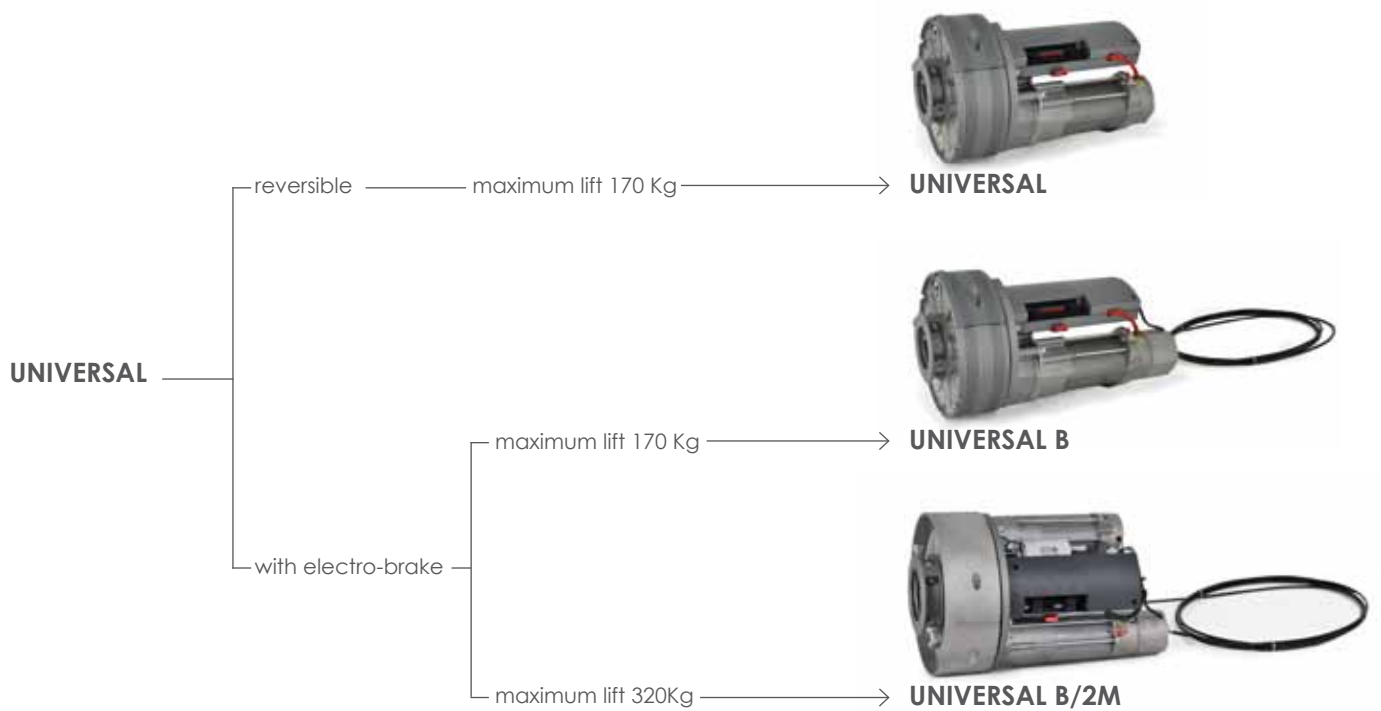


**RC 22**  
Sensitive edge 25 mm (2,5 m length)



# Rolling Shutter Automation

## Selection Guide





# UNIVERSAL



Model	Description
<b>Universal</b>	Gear motor reversible max 170 Kg
<b>Universal B</b>	Gear motor with electro-brake max 170 Kg
<b>Universal B/2M</b>	Gear double motor with electro-brake - max 320 Kg

## Rolling shutter automation for residential and industrial use.

### RELIABILITY AND SIMPLICITY

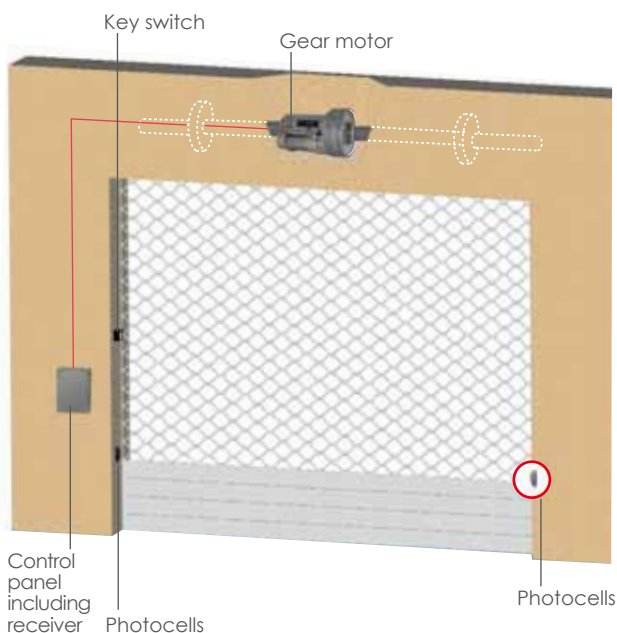
The UNIVERSAL system represents the perfect solution to automate existing and new construction shutters.

Available in reversible version or locked, with electro-brake and manual release system.

Integrated electromechanical limit switches allow a precise adjustment for both opening and closing positions.

Modular adaptors included with the kit make the installation quick and easy: UNIVERSAL motors can fit drive shafts of 60 mm or 48mm and spring holders of 200 mm or 220 mm.

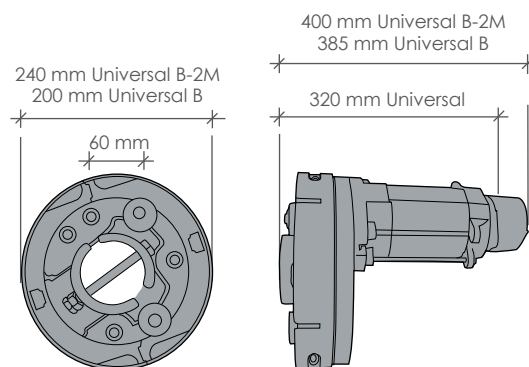
A double motor version is available for bigger built frames-up to 320 Kg weight.



### TECHNICAL SPECIFICATIONS

	<b>UNIVERSAL</b>	<b>UNIVERSAL B</b>	<b>UNIVERSAL B - 2M</b>
Power Supply	230V ~ 50/60Hz	230V ~ 50/60Hz	230V ~ 50/60Hz
Current	2,8A	2,8A	5,6A
Motor Power	600W	600W	1200W
Thrust	175 Nm	175 Nm	350 Nm
Winding flange speed	10 rpm	10 rpm	8 rpm
Lifting power	170 Kg	170 Kg	320 Kg
Maximum stroke	6 m	6 m	6 m
Drive shaft diameter	60/48 mm	60/48 mm	76 mm
Winding flange diameter	200/220 mm	200/220 mm	240 mm
Duty Cycle	40%	40%	40%

### MOTOR DIMENSIONS



### OPTIONAL ACCESSORIES



**RS16**  
Two-micro key-switch



**RT23**  
Safe box with push-button  
and release lever



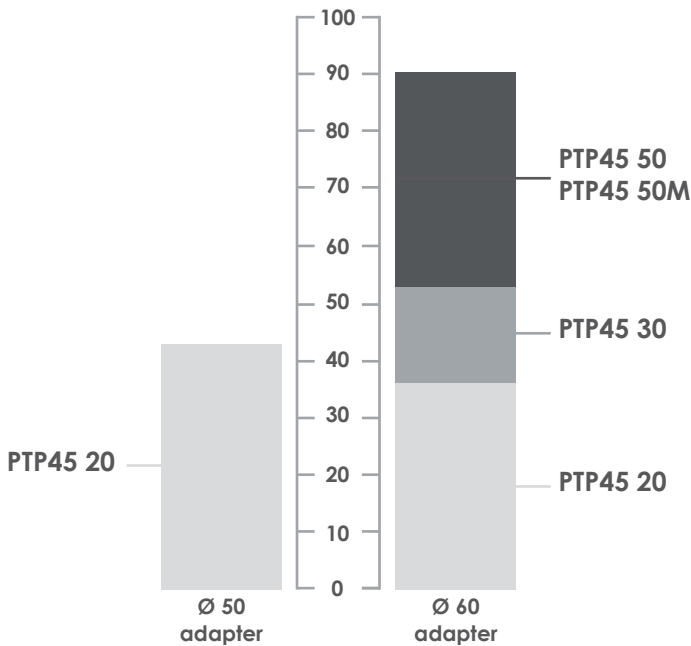
**Q45**  
Control unit for central motors  
for rolling shutters



# Operators for interior blinds

## Selection Guide

roller blind weight  
Kg



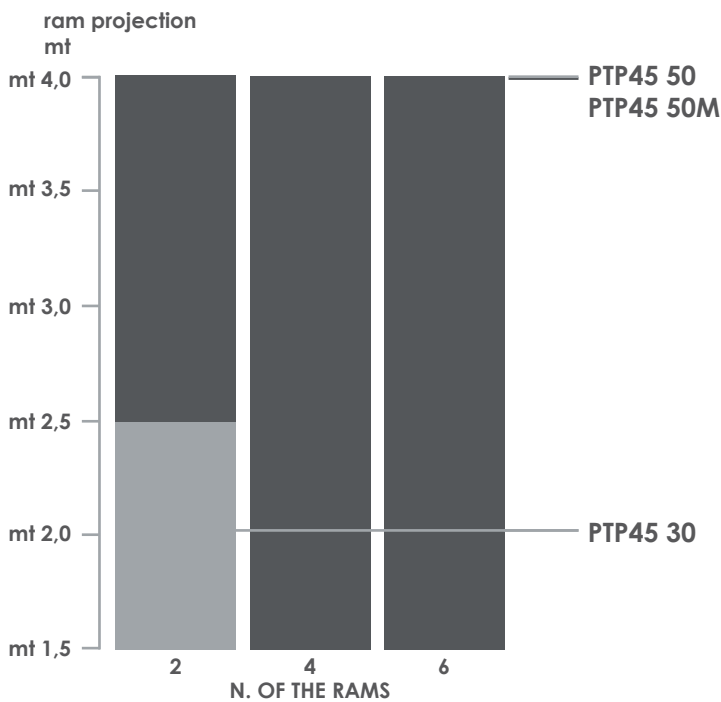
Please refer to the below data table to calculate the rolling blind's weight and select the suitable motor according to the chart.

material	weight (kg/mq)
pvc	5 kg
wood	10 kg
insulated aluminium	4 kg
insulated steel	10 kg
armoured steel	16 kg



# Operators for awnings

## Selection Guide



Please refer to diagram side to select the suitable model according to the number and projection of rams (for Ø70 mm roller)

# PTP45



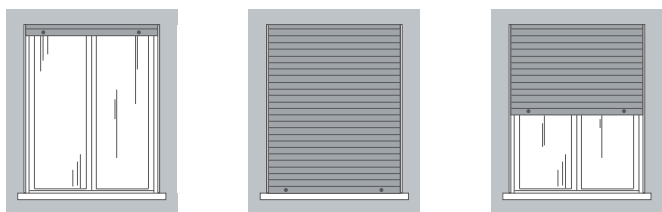
## Tubular motor Ø 45 mm for rolling shutters and awnings

- 230V motor with electro-brake, quiet and powerful.
- Mechanical limit stop with easy adjustment for up and down limit positions.
- Ideal for existing shutters, complete with cable and motor bracket
- Octagonal adapter for Ø60mm shaft

Model	Ø		
<b>PTP45 20</b>	45 mm	230V	20N
<b>PTP45 30</b>	45 mm	230V	30N
<b>PTP45 50</b>	45 mm	230V	50N
<b>PTP45 50M</b>	45 mm	230V	50N

## INSTALLATION OVERVIEW

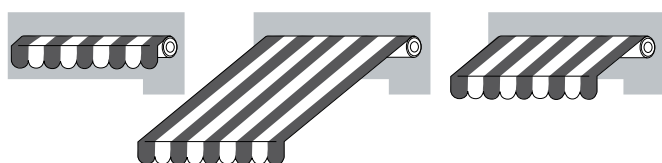
### INTERIOR BLINDS



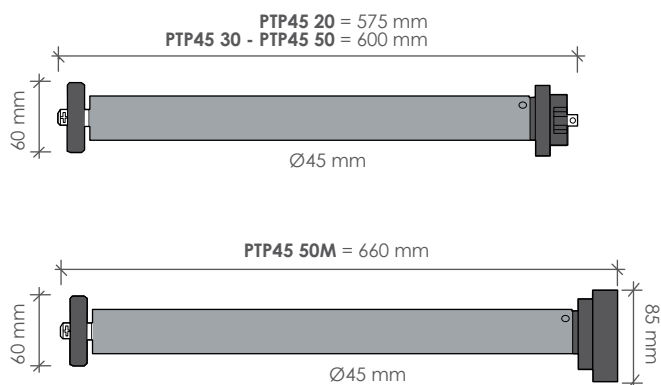
## TECHNICAL SPECIFICATIONS

	<b>PTP45 20</b>	<b>PTP45 30</b>	<b>PTP45 50</b>	<b>PTP45 50M</b>
Torque	20 Nm	30 Nm	50 Nm	50 Nm
Speed RPM	16	16	12	12
Limit switch turns	30	30	30	30
Motor Power	170 W	240 W	270W	270 W
Consumption	0,80 A	1,10 A	1,20 A	1,20 A
Weight	2,60 Kg	2,70 Kg	2,80 Kg	3,80 Kg

### AWNINGS



## MOTOR DIMENSIONS



# PTP45

PTP45 20 - PTP45 30 - PTP45 50

230V tubular motors size Ø 45mm with mechanical stop

**The Kit includes:**

- motor 230V - size Ø45mm
- split pin
- adjusting key for limit stops
- motor bracket
- octagonal adapter for Ø60mm shaft



Tubular motor



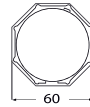
Split pin



Motor bracket



Adjusting key for limit stops



60 mm octagonal tube adapter

# PTP45 50 M

Tubular motor 230V Ø 45mm with mechanical stop and manual emergency override system

The manual release system allows emergency opening and closing of the shutter even in case of power cuts.

**The Kit includes:**

- motor 230V - Ø45mm
- split pin
- adjusting key for limit stops
- motor bracket
- octagonal adapter for Ø60 mm shaft
- adapter for emergency release mechanism
- eyelet for emergency release (170mm)



Tubular motor



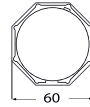
Split pin



Motor bracket



Adjusting key for limit stops



60 mm octagonal tube adapter



Adapter for emergency release mechanism



Eyelet for emergency release (170 mm)

## OPTIONAL ACCESSORIES



**Radio Kit**

More comfort and easier installation with no need for cable wirings between motor and controls.



**PTPQ01**

Concealed control panel with radio receiver



**PTPTX1**

1-channel radio transmitter 433Mhz

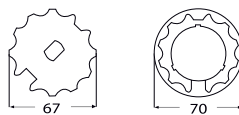
**PTPTX5**

Multi-channel radio transmitter 433Mhz



**Awnings Kit**

Complementary accessories for electric awnings.



**MTPR01**

Olive adapter Ø 70mm for electric awnings



**PTPS03**

Wind-sun sensor for electric awnings



**Emergency release Kit**

Complementary accessories for PTP45 50M model



**PTPS01**

Rod with articulated handle for manual emergency release



**PTPS02**

Eyelet joint 45° for manual emergency release



## Road barriers

# Selection Guide



- PARK PLUS**
- Boom length up to 3 m → **PARK PLUS 3** Pag. 51
  - Boom length up to 4 m → **PARK PLUS 4** Pag. 51
  - Boom length up to 6 m → **PARK PLUS 6** Pag. 51



- BARRY**
- 24V dc — Boom length from 3 to 6m → **BARRY DC** Pag. 53
  - 230V ac — Boom length from 3 to 6m → **BARRY** Pag. 53

# PARK Plus



## Barrier gate automation up to 6 m.

### STRENGTH AND SPEED


Manufactured steel body with powder coated finish and painted steel warning reflectors.

Adjustable spring balancing system and easy safety release feature.

High versatility makes in installation, no matter if the barrier is for right or left hand opening. Suitable for both residential and intensive use. Available also with round-section boom.

The motor is prewired to the control unit located in steel chassis.

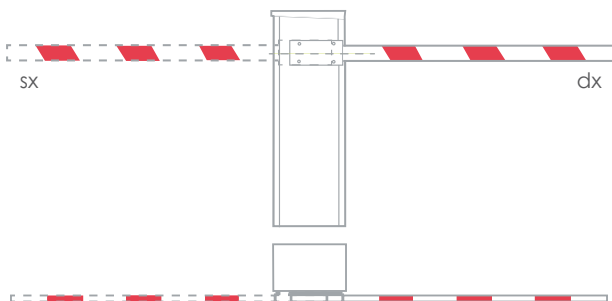
Control board features adjustment of motor torque, adjustment of the deceleration times and fault warnings.

Model	 230V	Opening Speed	Max Boom
<b>Park Plus 3</b>	230V	3,5"	3,00 mt
<b>Park Plus 4</b>	230V	8"	4,00 mt
<b>Park Plus 6</b>	230V	10"	6,00 mt

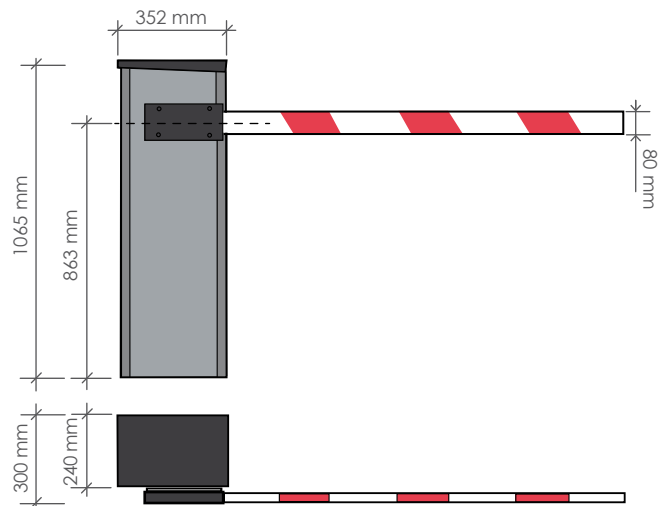
### TECHNICAL SPECIFICATIONS

	<b>PARK Plus 3</b>	<b>PARK Plus 4</b>	<b>PARK Plus 6</b>
Power Supply	230V ~ 50Hz	230V ~ 50Hz	230V ~ 50Hz
Current	1,5A	1,2 A	1,2 A
Motor Power	250W	200W	200W
Capacitor	16µF	10µF	10µF
Class IP Protection	44	44	44
Opening Speed	3,5"	8"	10"
Maximum boom	3 m	4 m	6 m
Boom dimensions	8x20x1,2 mm	8x20x1,2 mm	8x20x1,2 mm
Duty Cycle	70%	70%	70%

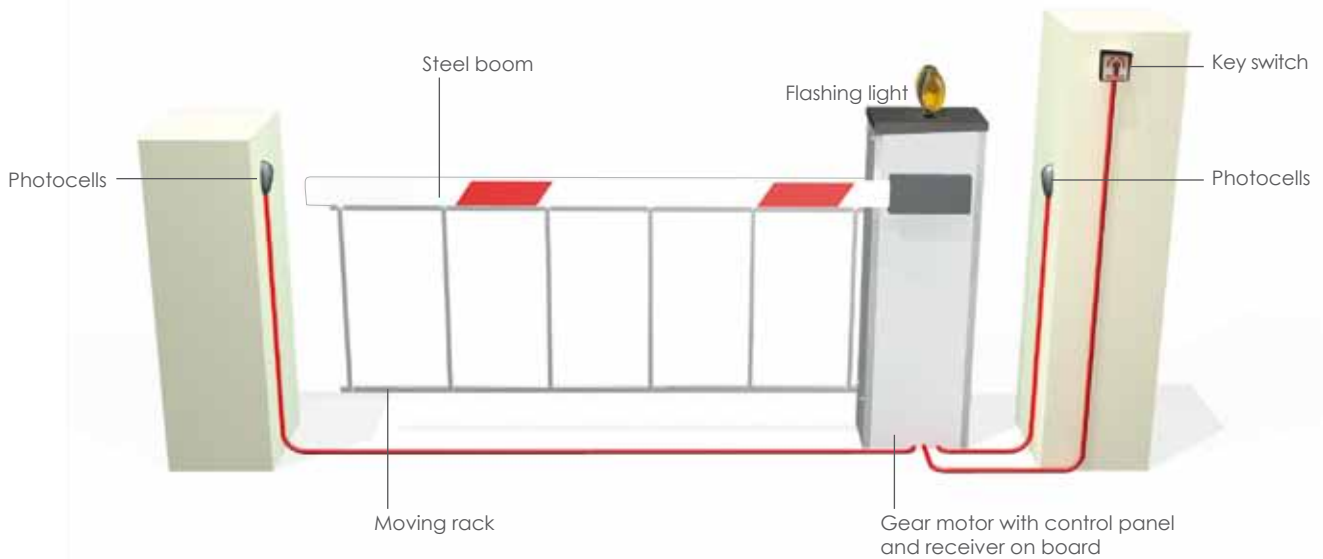
### INSTALLATION OVERVIEW



### MOTOR DIMENSIONS







### OPTIONAL ACCESSORIES



**G109**  
Ground fixing plate



**G101**  
Aluminium boom (with reflectors and caps) 6 m

**G102**  
Aluminium boom (with reflectors and caps) 4 m

**G103**  
Aluminium boom (with reflectors and caps) 3 m



**G105**  
Moving support



**G106**  
Fix support



**G107**  
Moving rack (2 x 2 m) for 4 m boom only



**RT05**  
One-way magnetic loop-detector



**G110**  
Rounded aluminium boom  $\varnothing$  80mm (with reflectors and caps), length 6 m

**G111**  
Rounded aluminium boom  $\varnothing$  80mm (with reflectors and caps), length 4 m

**G112**  
Rounded aluminium boom  $\varnothing$  80mm (with reflectors and caps), length 3 m



**G113**  
Moving support for rounded boom

# BARRY



## Barrier gate automation up to 6 m.

### RELIABLE AND COMPLETE

Manufactured steel body with powder coated finish with LED lighting system and blinker warning light on board.

Double limit switching (mechanical and electromagnetic) with balance spring system adjustable according to the length of the boom.

Hand grip handle for quick and easy manual release, protected by an access cover which is opened via cut key.

Complete with telescopic boom, ideal to automate openings from 3 to 6 m.

Available versions: left and right hand opening, articulated boom system for parking areas or low ceilings.

Suitable for both residential and intensive use, it is available for 230V (fan-assisted motor) and 24V applications.

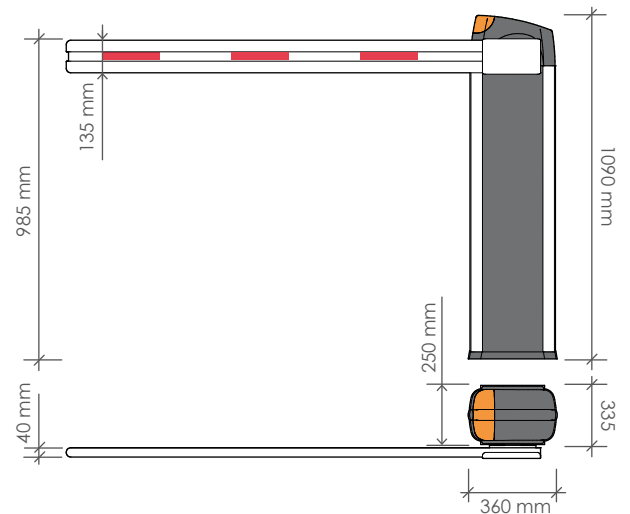
### TECHNICAL SPECIFICATIONS

	<b>BARRY DC</b>	<b>BARRY</b>
Power Supply	230V ~ 50Hz	230V ~ 50Hz
Motor Power Supply	24V dc	220V ac
Current	0,5 - 3,3A	0,7 - 1A
Motor Power	80W	90W
Class IP Protection	44	44
Opening Speed	6"	6"
Telescopic boom	3,6 - 6 m	3,6 - 6 m
Cycles/hour (max)	250	200
Duty Cycle	intensive use	intensive use

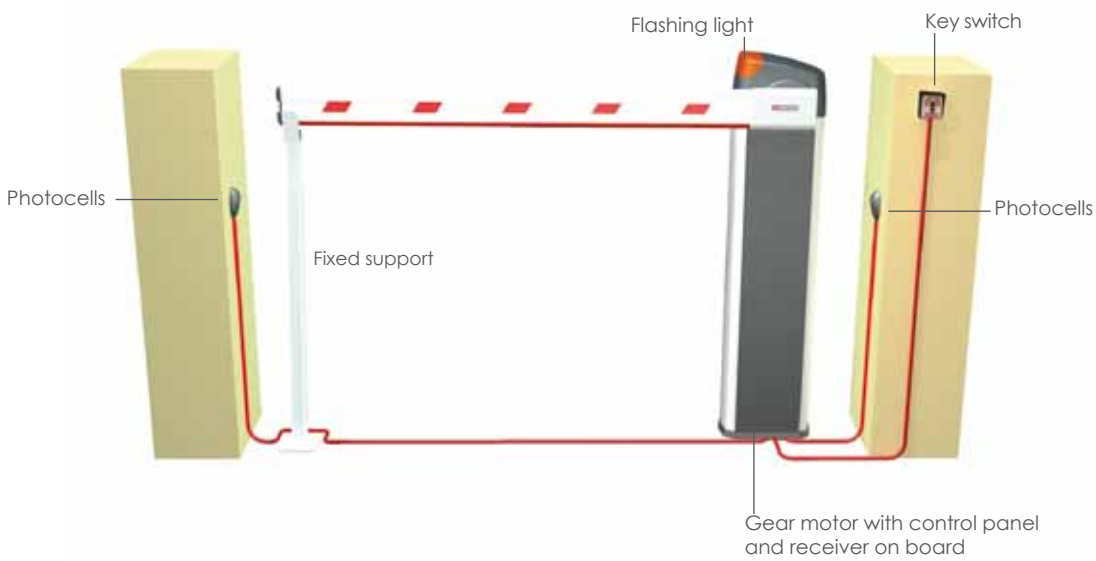
### INSTALLATION OVERVIEW

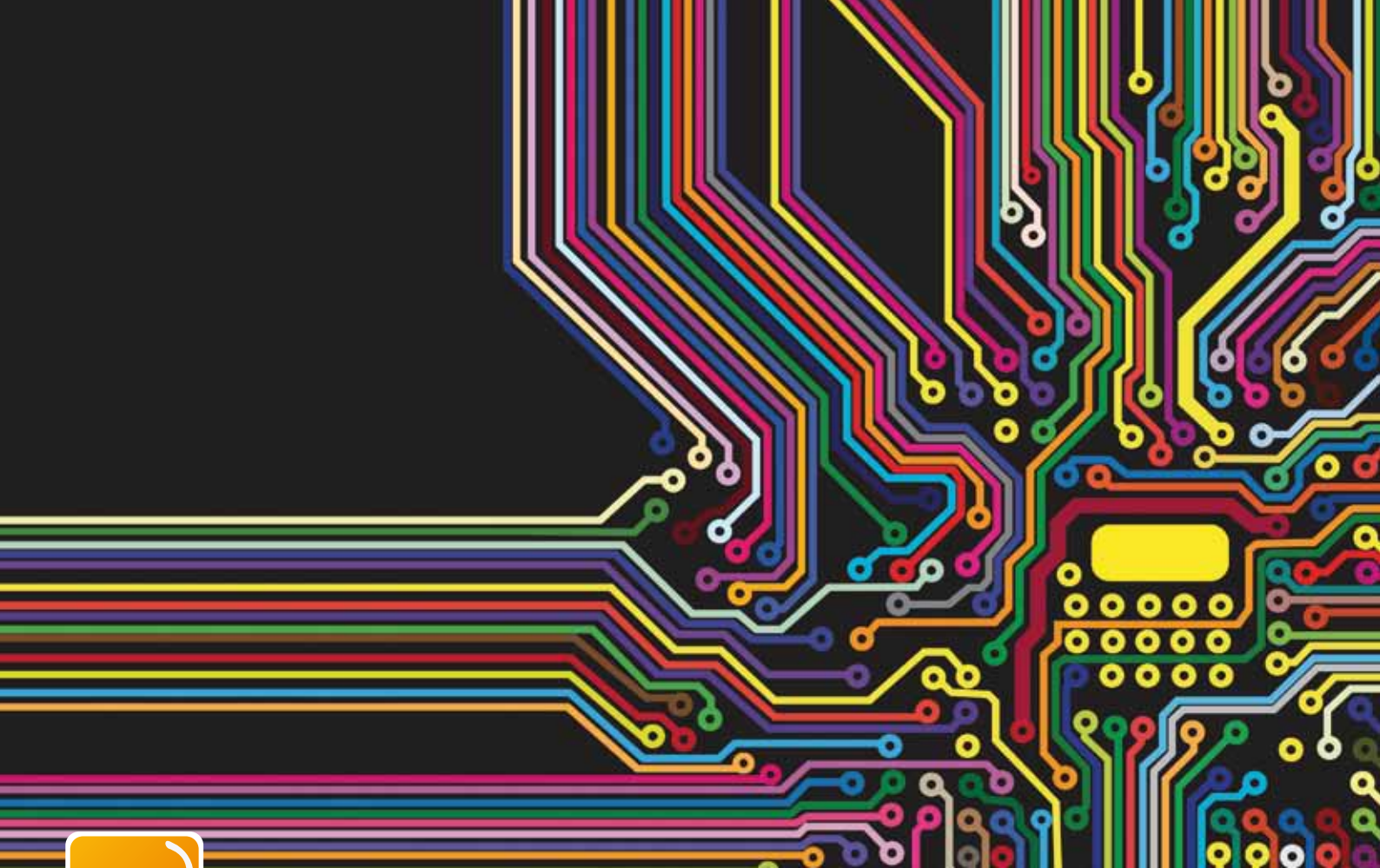


### MOTOR DIMENSIONS

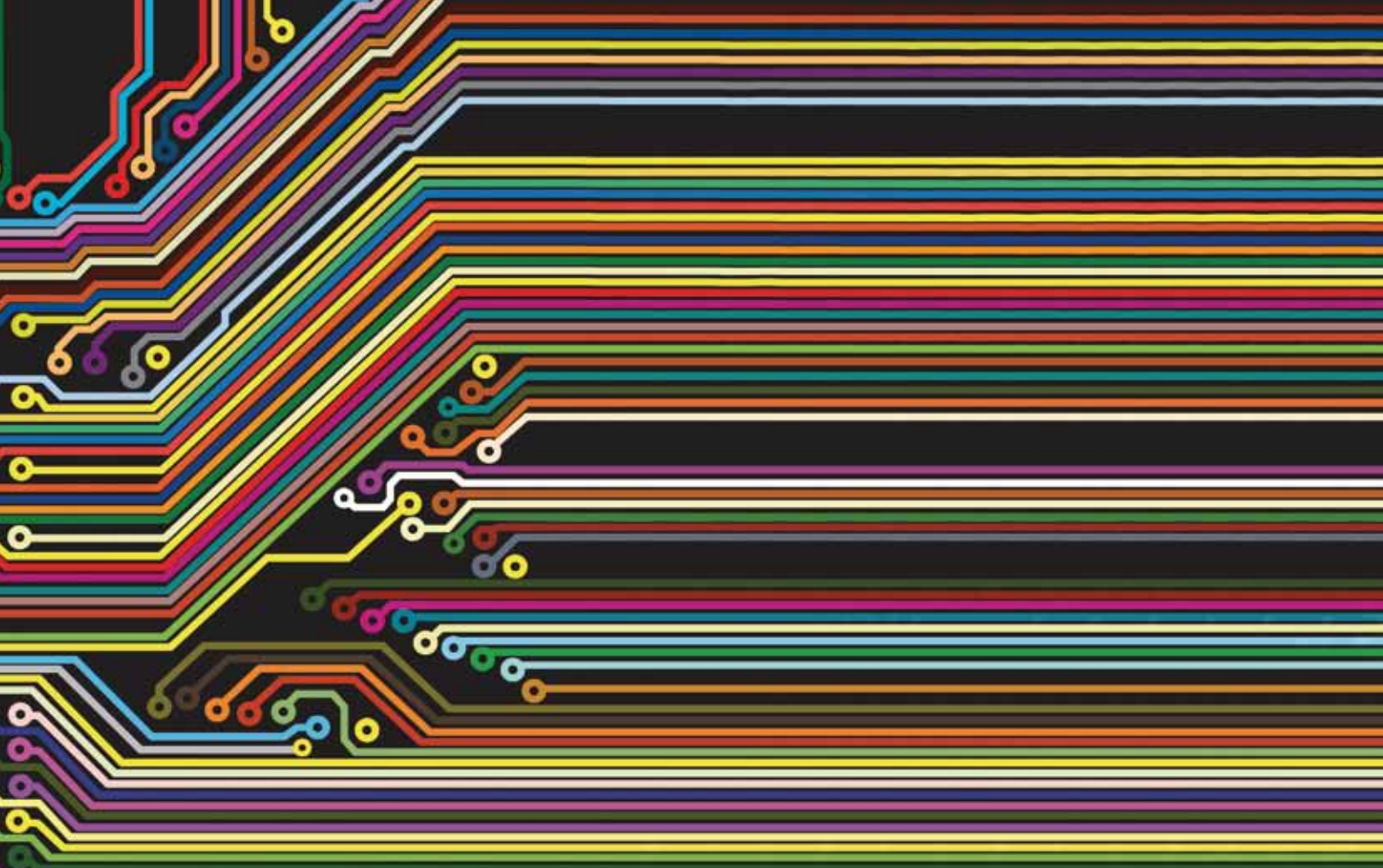


Model		Opening Speed	Max Boom
Barry	230V	6"	3 m a 6 m
Barry DC	24V	6"	3 m a 6 m





## Control units



Proteco is leader in the engineering of control units thus enabling the installer to customize all kinds of gate system to meet most end user's requirements, with simple programming from the easiest to the more sophisticated installations.

The control units allow, amongst other functions, the customization of pedestrian opening times, the independent setting of each gate leaf's deceleration and the delay adjustment both in opening and in closing. The built-in display assures fine tuning of all the settings and a prompt user feed-back in the case of incorrect connection of motors or safety devices.

# Control units

## Swing gates

### Q56



#### Control unit for SINGLE/DOUBLE SWING GATE 12V-24Vdc

- Easy programming with automating setting of working times, deceleration and delay between leafs.
- Multi-level amperometric obstacle detection.
- Operation modes: standard automatic closing, multi-users mode, step-by-step operation.
- Single leaf opening for pedestrian crossing.
- Built-in radio receiver module 433,92MHz (50 codes).
- Set up for powering by a solar panel or back-up batteries.

<b>Q56AD</b>	Control unit for double/single swing gate complete with installation box PAR04	230V-12V
<b>Q56CD</b>	Control unit for double/single swing gate complete with installation box PAR04	230V-24V
<b>Q56DD</b>	Control unit for double/single swing gate complete with installation box PAR04	115V-24V



<b>MELO3</b>	Electric lock interface module for 12V-15W for Q56 units
--------------	--

### PAR04



<b>PAR04</b>	Installation box for control unit series: Q80A, Q60A, Q56
--------------	--

# Control units

## Swing gates

### Q80A



#### Control unit for SINGLE/DOUBLE SWING GATE 230Vac

Multi-function control unit with LED display screen for programming and fault diagnosis.

- Custom adjustment of working and deceleration times for each motor.
- Automatic programming, with amperometric obstacle detection, or sequential programming with custom adjustment of power and deceleration for each motor.
- "Quick automatic closing" function.
- Single leaf opening for pedestrian crossing.
- Electronic adjustment of opening and closing delay between leaves.
- Multi-users function (opening priority)
- Pre-blinking, reversing stroke and lock pulse for electric-lock
- Built-in radio receiver module 433,92MHz (64 codes)
- Input for 8K2 type safety edge.

<b>Q80A1D</b>	Control unit for double/single swing gate complete with installation box PAR04	230V~50Hz
<b>Q80A2D</b>	Control unit for double/single swing gate complete with installation box PAR04	115V~60Hz

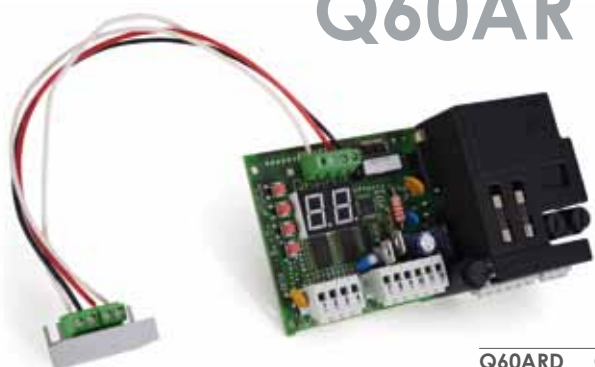


<b>MEL04</b>	Electric lock interface module for 12V-15W for Q80A units
--------------	---



<b>MRX01</b>	Aux - 2nd radio channel module for Q80 units
--------------	--

### Q60AR



#### Control unit for SINGLE/DOUBLE SWING GATE 230Vac

Multi-function control unit with LED display screen for programming and fault diagnosis.

- Sequential programming with electronic adjustment of working and deceleration times for each motor.
- Operation modes: standard automatic closing, multi-users mode, step-by-step operation.
- Single leaf opening for pedestrian crossing.
- Electronic adjustment of deceleration and opening/closing delay between leaves.
- Pre-blinking, reversing stroke and lock pulse for electric-lock
- Pre-wired radio receiver module 433,92MHz (50 codes)
- Input for connection to a timer clock

<b>Q60ARD</b>	Control unit for double/single swing gate complete with installation box PAR04	230V~50Hz
---------------	--	-----------



<b>MEL01</b>	Electric lock interface module for 12V-15W for Q60A units
--------------	---

# Control units

## Sliding gates

### Q26



#### Control unit for SLIDING GATES 12V-24Vdc

- Easy programming with automating setting of working and deceleration time.
- Multi-level amperometric obstacle detection.
- Operation modes: standard automatic closing, multi-users mode, step-by-step operation.
- Partial opening for pedestrian crossing.
- Built-in radio receiver module 433,92MHz (50 codes).
- Set up for powering by a solar panel or back-up batteries.

Q26	Control unit for sliding gate	230V-12V
Q26C	Control unit for sliding gate	230V-24V

### Q38 A



#### Control unit for SLIDING GATES 380V

Multi-function control unit for triphase sliding gate for industrial use.

- Automatic closing function.
- Step-by-step operation or multi-users mode with opening priority.
- Photocells inputs.
- Complete with module for blinker's flashing light .

Q38A	Control unit for sliding gate	380V
------	-------------------------------	------

## Rolling Shutters and interior blinds

### Q45



#### Control unit for central motors for ROLLING SHUTTERS 230Vac

- Adjustable pause time for automatic closing
- Built-in radio receiver 433,92MHz
- Adjustable working time.
- Input for photocells and safety edges
- Output for safety flashing light
- It can be connected to a timer-clock for pre-set time opening and closing

Q45	Control unit for rolling shutters with box	230V
-----	--	------



# Control units

## Sliding gates

### Q80S



#### Control unit for SLIDING GATES 230V<sub>a</sub>

Multi-function control unit with LED display screen for programming and fault diagnosis.

- Custom adjustment of working and deceleration times.
- Automatic programming, with amperometric obstacle detection, or sequential programming with custom adjustment of motor power and deceleration.
- "Quick automatic closing" function.
- Partial opening for pedestrian crossing.
- Multi-users function (opening priority)
- Inputs for opening and closing limit switches
- Built-in radio receiver module 433,92MHz (64 codes)
- Input for 8K2 type safety edge

<b>Q80S</b>	Control unit for sliding gate	230V~50Hz
<b>Q80S2</b>	Control unit for sliding gate	115V~60Hz



**MRX01** Aux – 2nd radio channel module for Q80 units

### Q60SR



#### Control unit for SLIDING GATES 230V<sub>ac</sub>

Multi-function control unit with LED display screen for programming and fault diagnosis.

- Sequential programming with electronic adjustment of working and deceleration times.
- Operation modes: standard automatic closing, multi-users mode, step-by-step operation.
- Pre-blinking and partial opening for pedestrian crossing.
- Inputs for opening and closing limit switches.
- Pre-wired radio receiver module 433,92MHz (50 codes)
- Input for connection to a timer clock

<b>Q60SR</b>	Control unit for swing gate	230V~50Hz
--------------	-----------------------------	-----------

# Selection Guide

## Swing gates

Model FEATURES	Q80A	Q60AR	Q56
Power supply	230V	230V	12V - 24V dc
Programming display screen	✓	✓	
Fault diagnosis	✓	✓	
Automatic programming mode	✓		✓
Sequential programming mode	✓	✓	
Obstacle detection	✓		✓
Deceleration	✓	✓	✓
Time delay between leafs	✓	✓	✓
Pedestrian opening	✓	✓	✓
Automatic closing operation mode	✓	✓	✓
Step-by-step operation mode	✓	✓	✓
Multi-users operation mode	✓	✓	✓
"Quick automatic closing" function	✓		
Pre-blinking function	✓	✓	
Reversing stroke function	✓	✓	
Lock-pulse function	✓	✓	
Input for 8K2 safety edge	✓		
Radio receiver 433,92 MHz	built-in	pre-wired	built-in
Powering by solar panels			✓
Powering by back-up batteries			✓

# How to choose the product

Sliding gates, Garage Door Automation, Rolling Shutter Automation, Road barriers and Interior blinds

Q80S	Q60SR	Q26	Q38	Q45	Model FEATURES
230V	230V	12V - 24Vdc	380V	230V	Power supply
✓	✓				Programming display screen
✓	✓				Fault diagnosis
✓		✓		✓	Automatic programming mode
✓	✓		✓		Sequential programming mode
✓		✓			Obstacle detection
✓	✓	✓	✓		Deceleration
					Time delay between leafs
✓	✓	✓			Pedestrian opening
✓	✓	✓	✓	✓	Automatic closing operation mode
✓	✓	✓	✓	✓	Step-by-step operation mode
✓	✓	✓	✓		Multi-users operation mode
✓					"Quick automatic closing" function
✓	✓		✓		Pre-blinking function
					Reversing stroke function
					Lock-pulse function
✓					Input for 8K2 safety edge
built-in	pre-wired	built-in		built-in	Radio receiver 433,92 MHz
		✓			Powering by solar panels
		✓			Powering by back-up batteries



## Radio systems



## Radio receivers



Radio receiver for pillar/wall mounting, complete with case and aerial. Available in 1 or 3-channel version, frequency 433.92MHz.

<b>RX 433 1 12/24V</b>	One-channel radio receiver with case and aerial, 12/24V
<b>RX 433 3 24V</b>	Three-channel radio receiver with case and aerial, 24V

## Aerial

Extension aerial 433.92MHz, complete with mounting bracket and 3.5 m coaxial wire. Can be added onto an existing system to increase standard radio range in case of low or disturbed radio signal.



<b>PANT01</b>	Bracket mounted aerial
---------------	------------------------

# Radio transmitters

## TX312 new

3-channel radio transmitter with randomly generated codes.  
Radio frequency 433.92MHz.  
It can clone existing radio code from others radio transmitters of the same series.  
Soft-touch case.

### TECHNICAL SPECIFICATIONS

Frequency	433,92 Mhz
Battery	12Vcc – 23A



<b>TX312</b>	3-channel radio transmitter Freq. 433.92MHz
<b>TX312 R</b>	Rolling code 3-channel radio transmitter Freq. 433.92MHz

## Hit

3-channel radio transmitter with randomly generated codes.  
Radio frequency 433.92MHz.  
It can clone existing radio code from others radio transmitters of the same series.

### TECHNICAL SPECIFICATIONS

Frequency	433,92 Mhz
Battery	12V cc



<b>HIT 3</b>	3-channel radio transmitter Freq. 433.92MHz
--------------	--

## TX4334

4-channel radio transmitter with fixed radio codes.  
Radio frequency 433.92MHz.  
Code setting by dip-switches.

### TECHNICAL SPECIFICATIONS

Frequency	433,92 Mhz
Battery	12V cc



<b>TX4334</b>	4-channel radio transmitter with dip-switches Freq. 433.92MHz
---------------	--



## Control Systems

# Key-switches

### RS15/RS16

Key-switch control with one or two micro-switches.  
Suitable for encasing or wall-mounting.



<b>RS15</b>	One micro Key-switch
<b>RS16</b>	Two micro Key-switch

### RS10

Iron post, dark grey painted, for RS15 and RS16 key-switches.  
Height 110cm.



<b>RS10</b>	Post for <b>RS15</b> and <b>RS16</b> key-switch
-------------	---

# Keypads

## RT35

Anti-vandalism keypad with stainless steel case.  
60 codes memory.  
Two output relays: 1A and 5A.  
Power supply: 12V-24Vac/dc.



---

**RT35**    Inox case keypad

---

## RT36

Polycarbonated keypad with backlight.  
60 codes memory.  
Two output relays: 1A and 5A.  
Power supply: 12V-24Vac/dc.



---

**RT36**    Polycarbonated keypad

---

## RT37

Multifunction wireless key-pad 433Mhz.  
Night light and acoustic buzzer.  
Protection class IP 65.  
Lithium batteries power supply.



---

**RT37**    Wireless keypad 433Mhz

---

# Loop detectors

## RT05

One-way magnetic loop detector for vehicles.  
Output relay with double contact (way-in and presence detection).  
Possible series connection of two magnetic loops.  
Self-calibrating feature with manual re-calibration in case of disturbs.  
Dip-switches programming.  
Power supply 12V-24Vac/dc.



---

**RT05**    Magnetic loop detector

---



## Safety Systems

# Blinker Lights

RL11T



Flashing light 24V (2x10W lamps).

---

RL11T 24V Flashing Light

---



# Photocells

## RF36

Safety infra-red photocells set.  
They can be mounted on a wall, on a pillar or on RF11 photocells post.  
Power supply 12V-24Vac/dc.



---

**RF36** Safety photocells set

---

## RF11

Iron post, dark grey painted, for RF36 photocells.  
Height 55cm.



---

**RF11** Post for **RF 36** photocells

---

## RF02

Safety infra-red pivot photocells set  
Suitable for wall recessed mounting or on RF11 photocells post.  
Power supply 12V-24Vac/dc.



---

**RF02** Safety photocells set for flush-mounting

---

## RF05

Iron post, dark grey painted, for RF03 photocells.  
Height 60cm.



---

**RF05** Post for **RF02** photocells

---

## RF33

Wireless safety photocells set, with wireless transmitter and wired receiver.  
Input for safety edge connection.  
90° pivot mounting.  
Power supply 12V-24Vac/dc.  
Battery included.



---

**RF33** Wireless safety photocells set

---

# Safety edges

## RC22

Mechanical sensitive edge for garage doors and road barriers.

Aluminium frame and 25 mm high rubber profile.  
Complete with sensor and 2,50 m wire.



---

**RC22** Safety edge - 2,50 m length

---

## RC23

Mechanical sensitive edge for swing gates or sliding gates.

Three safety micro-switches.

2-wires fail safe cable with 8K2 Ohm resistance.  
Aluminium frame and 60 mm high rubber profile.  
Complete with sensor and 2,00 m wire.



---

**RC23** Safety edge - 2,00 m length

---



## Electro-locks

### RT16

12V electric lock for single swing gates. Suitable for horizontal use on left hand or right hand applications.



---

**RT16** Multiple electro-lock

---

### RT18

Vertical 12V electric lock for double swing gates. Complete with ground keep plate.



---

**RT18** Vertical electric lock

---



## Accessories

# Batteries

### Q BAT 1,2

Back-up battery 12Vdc, 1,2 Ah.  
Key-switch control with one or two micros. Suitable for encasing or wall-mounting.



---

Q BAT 1,2    Sealed battery 12V - 1,2 Ah

---

# Proteco's General Conditions of Sale

## 1. PREAMBLE:

1.1 The present General Conditions of Sale, having as subject all kind of products supplied by Proteco S.r.l., shall regulate all present and future contracts of sale between Proteco S.r.l. and the Purchaser provided that the Purchaser has its registered office outside Italy. Any modification or deviation from the present general conditions of sale shall be made in writing.

## 2. ORDERS:

2.1 The purchase orders collected by Proteco S.r.l. or by his agents and/or commercial intermediaries became binding only at the moment when the Purchaser receives the written order confirmation of Proteco S.r.l..

2.2 The forwarding of an order by the Purchaser as well as his acceptance of an offer, however effected, shall involve his adhesion to the present General Conditions of Sale.

## 3. CONFORMITY OF THE PRODUCTS :

3.1 Proteco S.r.l. represents that the products are in compliance with E.C. Directives, Regulations and Italian technical rules applicable to the products including those regarding safety and pollution.

Proteco S.r.l. does not guarantee the compliance of the products with the laws and technical rules in force in the Purchaser's country.

3.2 Any other data or parameter indicated in Proteco's advertising, commercial documents or other Proteco's documents of sale or deducible from the samples delivered by the Proteco S.r.l. will constitute only an approximate guide and they do not represent, in any case, a parameter for an evaluation of the compliance of the products.

## 4. PRICES AND PAYMENT:

4.1 The prices are those indicated in the Proteco's price list as in force from time to time.

They are expressed in Euro and they are intended exclusive from any national and foreign taxes and duties.

Any special characteristics, options, modifications required by the Purchaser shall be charged separately and added to the price list.

4.2 Unless differently agreed payments shall be made by means of bank transfer in advance, before delivery date, into the bank account indicated by the Proteco S.r.l. or by means of an irrevocable letter of credit to be confirmed by an Italian leading bank, cashable at sight against shipping documents, according to the text and characteristics required by the Proteco S.r.l..

4.3 In case of late payment Proteco S.r.l. may, after having notified the Purchaser in writing, suspend his performance of the contract until he receives payment or adequate banking guarantees covering the whole outstanding debt.

## 5. RESERVATION OF TITLE:

5.1 The Products shall remain the property of Proteco S.r.l. until paid for in full.

## 6. DELIVERY:

6.1 Unless differently agreed the delivery of the products shall be made FCA Proteco warehouse in accordance with International Chamber of Commerce Incoterms Revision 2010 which shall be deemed incorporated by reference into these General Conditions of Sale.

6.2 In case it is agreed that the shipment (or part of it) will be effected by Proteco S.r.l., this latter shall act as agent of the Purchaser being agreed that the shipment shall be done at the whole risk and charge of the Purchaser. Partial deliveries are allowed.

6.3 The delivery date shall be indicated under the Proteco's order confirmation.

In any case, Proteco S.r.l. is entitled a period of grace of 30 working days as of the expiry of the delivery date provided for in the order confirmation.

Expired the aforesaid term of grace the Proteco S.r.l. shall pay Purchaser a lump sum of 0,2% of the price of the Products delayed for each full week of delay as compensation for the damages caused by the delay up to the maximum limit of 2% of the price of the products subject of delayed delivery.

Any further compensation for damages suffered by the Purchaser in consequence of the delayed delivery is excluded.

## 7. GUARANTEE:

7.1 Subject to conditions hereinafter set out, Proteco S.r.l. shall remedy any defect of the products resulting from faulty design, materials or workmanship. The present undertaking is limited to those defects which appear within a period of 36 months for the mechanical components or 24 months for the electronic components from the date of production printed on each product.

All the guarantees provided for hereinafter are conditional on compliance with the operating and maintenance instructions supplied by Proteco S.r.l..

The Purchaser shall notify in writing, by means of registered mail, of any defect within 10 working days from its discovery.

Lacking this the purchaser will lose its right to have the defect remedied according to this guarantee.

Upon receipt of such notice, the obligation of Proteco S.r.l. under this guarantee is limited to, at Proteco's choice, and subject to prior examination of the defective products to be sent at Purchaser's risk and expenses:

i) Replace the defective products, ii) repair them or iii) issue a statement of credit for the amount corresponding to the products found defective.

Proteco S.r.l. is not liable for defects caused by faulty assembling or maintenance of the products by the Purchaser or due to non compliance to the instructions for assembling, nor for defects caused by alterations carried out without Proteco's written consent.

The present guarantee provided hereinabove absorbs and supersedes any other legal, statutory or contractual guarantee.

The Purchaser, in particular, shall have no right to claim damages, included loss of production, loss of profit, loss of use, loss of contracts or for any consequential, economic or indirect loss whatsoever, reduction of price or resolution of the contracts.

## 8. PRODUCT'S LIABILITY:

8.1 If Proteco S.r.l. incurs liability towards any third parties for product's liability he will be responsible only within the limit of amount and within the terms and conditions of his Product's liability insurance coverage.

## 9. GOVERNING LAW:

9.1 All the sale contracts concluded by parties shall be governed by the present general sale conditions and, to the extent that such questions are not covered by the present general sale conditions, by United Nations Convention on Contracts for the International Sale of Goods (Vienna Convention of 1980, hereafter referred to as «CISG»), and, to the extent that such questions are not covered by CISG, by Italian law.

## 10. DISPUTES RESOLUTION:

10.1 In case the Purchaser has its registered office in the territory of the European Union for any disputes arising out of or in connection with this contract the courts of Turin in Italy shall have exclusive jurisdiction; where the Purchaser has its registered office outside the territory of the European Union any disputes arising out of or in connection with this contract shall be settled by Arbitration in conformity with the Rules of the Piedmont Arbitral Chamber (see at <http://images.pie.camcom.it/f/Varie/RU/RULES2006.pdf>) by one arbitrator designed in accordance to said rules.

The parties undertake to comply with the arbitrator's award.

CATALOGUE  
**Professional**

[www.proteco.net](http://www.proteco.net)



**Proteco S.r.l.** Via Neive, 77 12050 Castagnito (CN) ITALY Tel. +39 0173 210111 - Fax +39 0173 210199

[www.proteco.net](http://www.proteco.net)



**Proteco S.r.l.** Via Neive, 77 12050 Castagnito (CN) ITALY Tel. +39 0173 210111 - Fax +39 0173 210199  
[www.proteco.net](http://www.proteco.net)