

PROVISION **ISR**

Now you can see!



PROVISION **ISR**

Now you can see!



Now you can see!

COMPANY PROFILE



Provision-ISR, an Israeli brand, was created to answer the need for reliable high quality CCTV middle level range products at competitive price alongside professional after sales support and strong marketing, all from a company who understand the business of CCTV.

Quality products are assured from a team of expert Israeli engineers which start from the components sourcing thru the manufacturing QC to the finished product; competitive prices are the result of our own production plant in china. Today, provision-isr is a fast growing company with official exclusive distributors in many countries around the world working as partners to promote the brand in their regions and developing new designs and technologies with the supreme guidelines of high quality and competitive prices.



Quality:

As a branded products we must keep our reputation of quality products by using the best components and strict quality control standards by our Israeli engineers.

2 year warranty:

Our low RMA rate allow us to support our clients with long warranty and we have found creative ways to deal with your RMA service.

One stop shop:

Due to our vision of creating a one stop shop to our clients for the entire range of CCTV products, we have managed to create a full range of CCTV accessories for all types of CCTV installation.

We perfectly understand the need for tested and reliable CCTV accessories and set high quality standards to these products as well.

Technical support:

Our Israeli technical support staff are here to attend any technical demand to all CCTV and it questions.

Marketing assistance:

International and national exhibitions, graphic designers, marketing materials, seminars to your staff and more are only part of our way to promote your business with Provision-isr.

Business of CCTV:

We understand the installer needs as well as the distributor needs, we can find creative ways to deal with any demand from the market. We speak fluently the language of CCTV and security and we are here to establish reliable and confidante business relation with you.

Call us today to learn more.



CONTENT



HD SDI Cameras P 01-06



Ultravision Cameras P 06-16



Box Cameras P 17-23



Dome Cameras P 23-32



Infra Red Cameras P 33-41



Led Array Cameras P 42-48



Auto-Sync focus cameras ... P 49-53



Hidden cameras P 54-64



Light Series P 65



Ultra Light Series P 66



PTZ Cameras P 67-81



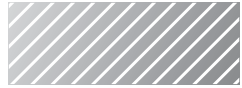
DVR's P 82-103



Accessories P 104-109



CONTENT



**HD 1080P
CCTV**

Discover a Whole New World

FULL HD (1080P) CCTV, it is all about the details...



Provision-ISR's HD-SDI products present a totally new standard in surveillance monitoring and provide full HD(1080P) image resolution with clarity on a level you have never imagined possible.

In addition to superior image quality, Provision-ISR's HD-SDI cameras implement the latest video processing technology and provide exceptionally advanced features including: Digital image balancing, delivering an accurate picture in all light conditions, WDR capabilities, Privacy masking, image effects and more.

Due to true day& night functionality (ICR), DSS (Digital Slow Shutter), Advanced 3D-DNR (Digital Noise Reduction) and Smart IR technology, all cameras provide excellent night performance.

I2-390HDV F I4-390HDV F



I3-390HD(2.8-12)



BX-392HD



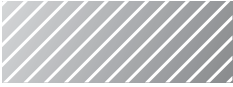
DAI-390HD(2.8-12)



P03 HD-SDI IR CAMERA

P05 HD-SDI BOX CAMERA

P06 HD-SDI DOME CAMERA



FULL HD(1080P)CCTV, it is all about the details

HD CCTV Main Advantage:

- HD video: true 1080P video quality
- Perfect clarity with no analogue noise
- Coax cable: immune to network failure
- Unified standards
- Uncompressed- nearly zero latency and no compression artifacts
- Easy Upgrade: using same infrastructure as analog system, just replace camera and DVR
- Familiar User Interface: for the installer/operator, no difference between CCTV and HD CCTV except for higher resolution

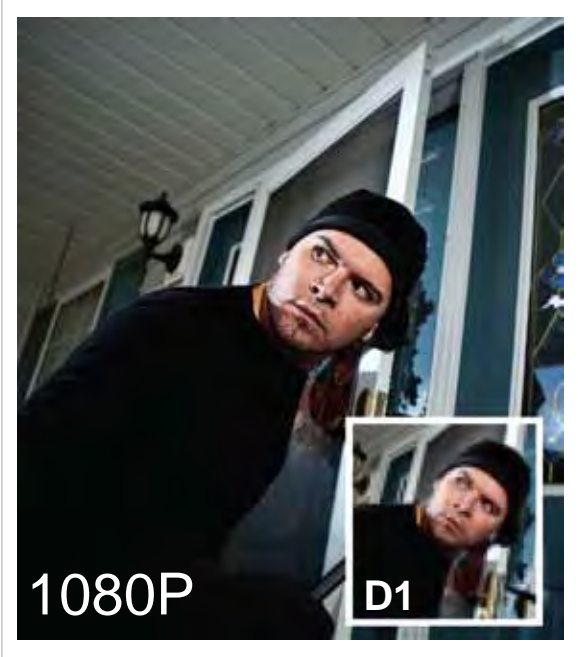
HD CCTV Overview

The technology commonly called HD CCTV implements SMPTE HD-SDI standards from television broadcast technology and can transmit video at 720p or 1080p resolution over RG59 cable to a distance of at least 100 meters.

HD CCTV offers the benefit of 2 worlds, providing high-resolution (megapixel) video, over conventional analog coaxial cables, favored by CCTV installers around the world.

PROVISION-ISR HD CCTV cameras offer a standard resolution of 1080P (1920 x 1080), equivalent to 2.1 megapixels. 1080P provides over 24 times higher resolution compared with CIF and 6 time higher resolution than D1!

- While Analogue cameras continue to improve, it still subject to the limitations of the PAL/NTSC TV format, adopting a new HD standard enable pushing video resolution beyond 700TV and offering HD quality CCTV.
- HD CCTV is designed to be a drop-in replacement for existing analog CCTV, requiring only a change of camera and DVR. Both New and existing installations can use CCTV industry standard coaxial cable (RG/59, RG/6 and RG/11)



IR CAMERA

I2-390HDVF

I4-390HDVF



I2-390HDVF
20 Meter IR
Outdoor Vari-focal

I4-390HDVF
40 Meter IR
Outdoor Vari-focal

* Functionality is subject to camera model

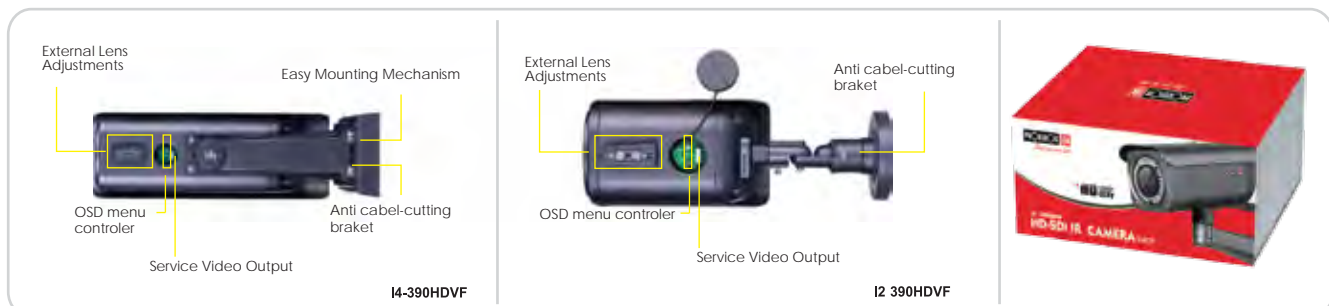
IR Cameras Main Features:

- 1/3" Panasonic CMOS sensor
- Output: Digital - HD-SDI 1920x1080p / 30fps
Service Analog- 700TV
- Mega-Pixel 2.8-10mm Vari-focal lens
- True Day&Night- ICR
- Min.Illumination: 0.00Lux(IR LED On)
- DSS(Digital Slow Shutter)
- DNR (Digital Noise Reduction, 2D+3D)
- True WDR (at 15fps)
- BLC/HLC
- Privacy Mask
- Intelligent Motion detection
- Smart IR
- Image Mirror/Freeze/Digital Zoom
- DC12V
- IP66

Specifications

MODEL	I4-390HDVF	I2-390HDVF
Image Sensor	1/3" Panasonic CMOS	
Active Pixels	1944(H) x 1092(V)=2,122,848 (pixel)	
Lens	2.8-10mm Varifocal Lens (2.1MP)	
Scanning System	Progressive	
Resolution	Digital : 1920x1080p(1080p/30fps), 1280x720p(720p/60fps) Analog:700 TVL	
Min(Illumination)	0.0Lux(IR LED ON) 60 pieces IR LED	0.0Lux(IR LED ON) 27 pieces IR LED
IR Range	40M	20M
Video Output	HD-SDI Analog:NTSC,PAL(without WDR)	
True D&N	ICR(IR Cut Removable)	
S/N RATIO	More Than 50dB(AGC off)	
Sharpness	0 ~ 10 steps	
Mirror/Flip	Off / Rotate / Mirror / Flip	
D-Zoom	x1 ~ x32	
HLC (Eclipse)	Off / On	
Defog	Off / On	
Brightness	0 ~ 20 steps	
Lens	DC / Manual	
Shut Speed	Auto / Manual (1/30(1/25) ~ 1/60000)	
DSS(Sense-Up)	Off / x2 / x3 / x4	

MODEL	I4-390HDVF	I2-390HDVF
AGC	Off / On	
WDR	Off / On (at 15 fps)	
BLC	Off / On	
Day & Night	Auto / Day / Night / Ext	
Smart IR	Off / On	
White BAL	Auto / Preset / Manual / Indoor / Outdoor	
3D DNR	Off / Low / Middle / High / Auto	
Privacy	Off / On (32 points)	
Motion	Off / On (4 points)	
Lens shading	Off / On	
System	NTSC / PAL	
HD Format	1080P / 720P	
COMM	ID (1 ~ 255), B.Rate(2400-115200), Prot.(Pelco P/D)	
OSD text	Available	
Power	DC 12V 600 mA(Max)	DC 12V 380 mA(Max)
Operating Temperature	-10°C ~ +50°C (Humidity : 0%RH ~ 80%RH)	
Storage Temperature	-20°C ~ +60°C (Humidity : 0%RH ~ 90%RH)	
Dimension	319 x 219 x 100 mm	202 x 85 x 118 mm
Weight	2.5kg	1.3kg
P Rating	IP66	



**HD-SDI
1080P**

IR CAMERA

I3-390HD(2.8-12)



* Functionality is subject to camera model

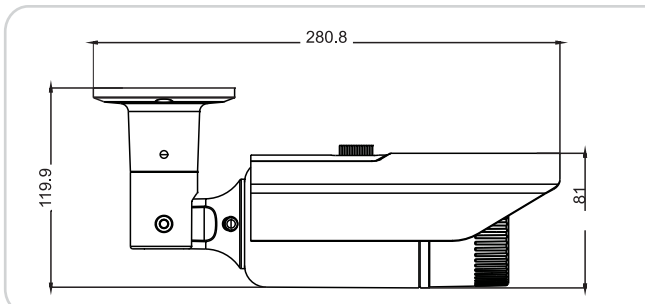
IR Cameras Main Features:

- 1/3" Panasonic CMOS sensor
- Output: Digital - HD-SDI 1920x1080p / 30fps
Service Analog- 700TV
- Mega-Pixel 2.8-12mm Vari-focal lens
- True Day&Night- ICR
- Min.Illumination: 0.00Lux(IR LED On)
- IR Range-30m
- DSS(Digital Slow Shutter)
- DNR (Digital Noise Reduction, 2D+3D)
- True WDR (at 15fps)
- D-WDR/BLC/HLC
- Privacy Mask
- Intelligent Motion detection
- Smart IR
- Image Mirror/Digital Zoom
- RS-485
- DC12V
- IP66

Specifications

MODEL	DAI-390HD(2.8-12)
Image Sensor	1/3" Panasonic CMOS
Active Pixels	1944(H) x 1092(V)=2,122,848 (pixel)
Lens	2.8-12mm Varifocal Lens (2.1MP)
Scanning System	Progressive
Resolution	Digital : 1920x1080p(1080p/30fps), 1280x720p(720p/60fps) Analog:700 TVL
Min. Illumination	0.0Lux(IR LED ON) 27 pieces IR LED
IR Range	30M
Video Output	Digital: HD-SDI, Analog:NTSC,PAL(without WDR)
True D&N	ICR(IR Cut Removable)
S/N RATIO	More Than 50dB(AGC off)
Sharpness	0 ~ 10 steps
Mirror/Flip	Off / Rotate / Mirror / Flip
D-Zoom	x1 ~ x8
HLC (Eclipse)	Off / On
Brightness	0 ~ 20 steps
Lens	DC / Manual
Shut Speed	Auto / Manual (1/30(1/25) ~ 1/60000)
DSS(Sense-Up)	Off / x2 ~ x8

MODEL	DAI-390HD(2.8-12)
AGC	0-20 steps
WDR/BLC	Off/ HLC/ BLC/ WDR (WDR at 15 fps)
Day & Night	Auto / Day / Night / Ext
Smart IR	Off / On
White BAL	Auto / Push / Manual
3D DNR	Off / Low / Middle / High
Privacy	Off / On (32 points)
Motion	Off / On
Lens shading	Off / On
System	NTSC / PAL
HD Format	1080P / 720P
COMM	ID (1 - 255), B.Rate(2400-9600), Prot.(Pelco P/D)
OSD text	Available
Power	DC 12V 450 mA(Max)
Operating Temperature	-10 C ~ +50 C (Humidity : 0%RH ~ 80%RH)
Storage Temperature	-20 C ~ +60 C (Humidity : 0%RH ~ 90%RH)
Dimension	320(L) x 93.8(W) x 81(H) mm
Weight	860g
IP Rating	IP66



OSD Controller



BOX CAMERA

BX-392HD



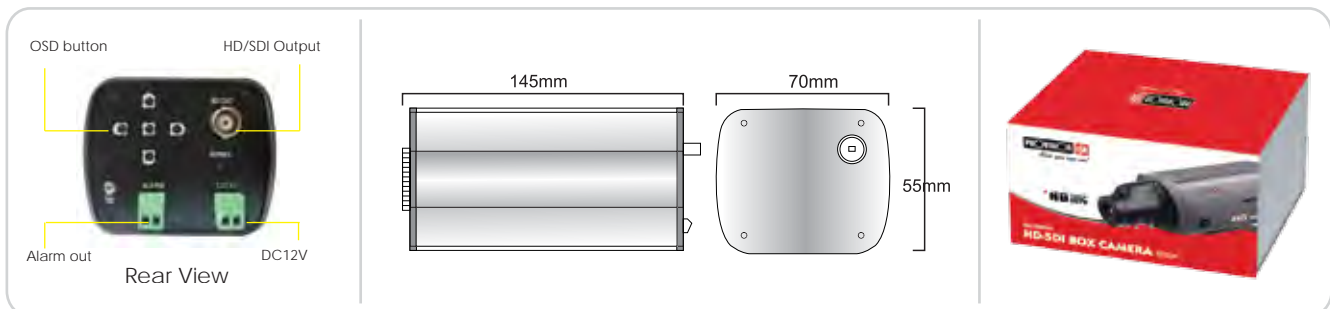
Box Cameras Main Features:

- 1/3" Panasonic CMOS sensor
- Output: Digital - HD-SDI 1920x1080p / 30fps
- True Day&Night- ICR
- Min.Illumination: 0.01 Lux
- DSS(Digital Slow Shutter)
- DNR (Digital Noise Reduction, 2D+3D)
- D-WDR/BLC/HLC
- Privacy Mask & intelligent Motion detection
- Image Mirror/Flip/Rotate
- DC12V
- Alarm out

Specifications

MODEL	BX-392HD
Image Sensor	1/3" Panasonic CMOS
Active Pixels	2010(H) x 1092(V)=2,194,920 (pixel)
Lens	CS Mount (Adjustable Back-Focus)
Scanning System	Progressive
Resolution	Digital : 1920x1080p(1080p/30fps)
Min(Illumination)	8W DSS : 0.01 lux
Video Output	HD-SDI
True D&U	ICR(IR Cut Removable)
S/N RATIO	More Than 50dB(AGC off)
Sharpness	0 ~ 100 steps
Mirror / Flip	Off / Rotate / Mirror / Flip
Brightness	0 ~ 100 steps
Lens	DC / Manual
Shut Speed	Auto / Manual (1/30(1/25) ~ 1/20000)
DSS (Sense-Up)	Off / x2 / x4 / x6 / x8 / x10
AGC	0-16 Steps
WDR	3 Levels Digital WDR
BLC	Off / BLC / HBLC (Eclipse)
Day & Night	Auto / Color / B&W

MODEL	BX-392HD
Smart IR	Off / On
White Balance	ATW/AWC-Set / Indoor / Manual
3D DNR	Off / Low / Middle / High / Autc
Privacy	Off / On (4 points)
Motion	Off / On (4 points)
Lens shading	Off / On
Alarm	1 Alarm out
System	NTSC / PAL
HD Format	1080P
Alarm	1 Alarm out
OSD text	Available
Power	DC12V 250mA
Operating Temperature	-10 C ~ +50 C (Humidity : 0%RH ~ 80%RH)
Storage Temperature	-20 C ~ +60 C (Humidity : 0%RH ~ 90%RH)
Dimension	70 x 145 x 55 (W x D x H)
Weight	400g



**HD-SDI
1080P**

DOME CAMERA

DAI-390HD(2.8-12)



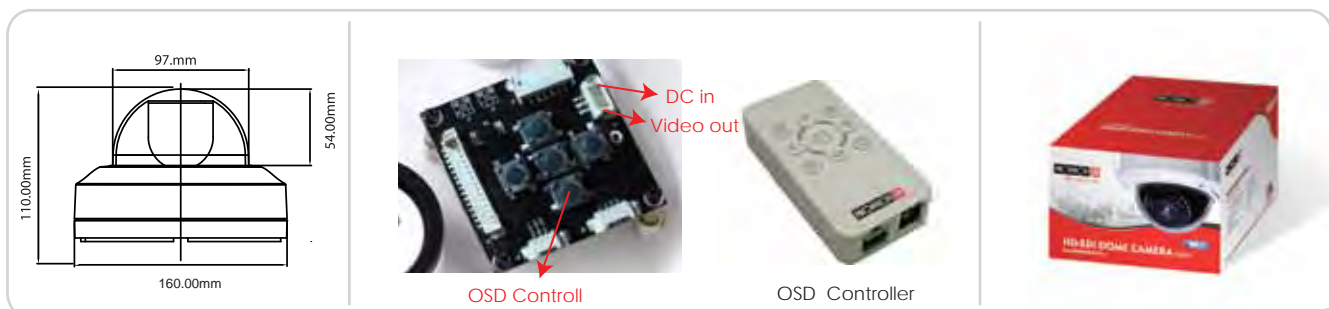
Dome Cameras Main Features:

- 1/3" Panasonic CMOS sensor
- Output: Digital - HD-SDI 1920x1080p / 30fps
Service Analog- 700TV
- Mega-Pixel 2.8-2mm Vari-focal lens
- True Day&Night- ICR
- Min.Illumination: 0.00Lux(IR LED On)
- IR Range-30m
- DSS(Digital Slow Shutter)
- DNR (Digital Noise Reduction, 2D+3D)
- True WDR (at 15fps)
- D-WDR/BLC/HLC
- Privacy Mask
- Intelligent Motion detection
- Smart IR
- Image Mirror/Digital Zoom
- RS-485
- DC12V
- IP66

Specifications

MODEL	DAI-390HD(2.8-12)
Image Sensor	1/3" Panasonic CMOS
Active Pixels	1944(H) x 1092(V)=2,122,848 (pixel)
Lens	2.8-12mm Varifocal Lens (2.1MP)
Scanning System	Progressive
Resolution	Digital : 1920x1080p(1080p/30fps), 1280x720p(720p/60fps) Analog:700 TVL
Min. Illumination	0.0Lux(IR LED ON) 27 pieces IR LED
IR Range	30M
Video Output	Digital: HD-SDI, Analog:NTSC,PAL(without WDR)
True D&N	ICR(IR Cut Removable)
S/N RATIO	More Than 50dB(AGC off)
Sharpness	0 ~ 10 steps
Mirror/Flip	Off / Rotate / Mirror / Flip
D-Zoom	x1 ~ x8
HLC (Eclipse)	Off / On
Brightness	0 ~ 20 steps
Lens	DC / Manual
Shut Speed	Auto / Manual (1/30(1/25) ~ 1/60000)
DSS(Sense-Up)	Off / x2 ~ x8

MODEL	DAI-390HD(2.8-12)
AGC	0-20 steps
WDR/BLC	Off/ HLC/ BLC/ WDR (WDR at 15 fps)
Day & Night	Auto / Day / Night / Ext
Smart IR	Off / On
White BAL	Auto / Push / Manual
3D DNR	Off / Low / Middle / High
Privacy	Off / On (32 points)
Motion	Off / On
Lens shading	Off / On
System	NTSC / PAL
HD Format	1080P / 720P
COMM	ID (1 - 255), B.Rate(2400-9600), Prot.(Pelco P/D)
OSD text	Available
Power	DC 12V 450 mA(Max)
Operating Temperature	-10 C ~ +50 C (Humidity : 0%RH ~ 80%RH)
Storage Temperature	-20 C ~ +60 C (Humidity : 0%RH ~ 90%RH)
Dimension	160x110H mm
Weight	860g
IP Rating	IP66



ULTRA VISION WDR CAMERA Series



Source

our WDR collection of cameras, which features our advanced DSP chipset.

This component integrates breakthrough technologies, such as extended dynamic range, enhanced low light sensitivity, super high resolution, advanced 3D-DNR, image stabilizer and enables clear and accurate image capturing.

The benefits of this chipset also include: eclipse function, digital 10X zoom, vertical and horizontal flip, privacy masking, video motion detection and more. All controlled from the OSD menu.

BX-371UV



DI-371UV(VF)



DA-371UV(VF)



DX-371UV(VF)



MC-371UV



I4s-371UVVF



P 10 PROFESSIONAL BOX CAMERA

P 11 VARI-FOCAL DOME

P 12 ANTI-VANDAL VARI-FOCAL DOME

P 13 INFRA-RED VARI-FOCAL DOME

P 14 PINHOLE HIDDEN CAMERA

P 15 INFRA-RED VARI-FOCAL

UltraVision

Breakthrough DSP



The best WDR performance ever seen along with superior image resolution to achieve the most accurate images...

Conventional DSP



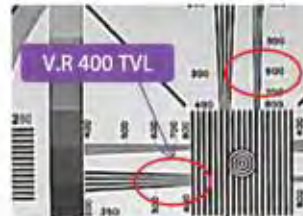
• WDR(Wide Dynamic Range)

The best WDR solution ever seen! "UltraVision" DSP provides true and vivid colors image in any conditions even under extreme back light circumstances.

UltraVision DSP



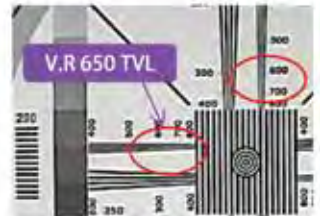
Conventional DSP



• 650TVL-ULTRA HIGH H&V RESOLUTION

While normal high resolution cameras provide only Horizontal high resolution, the "UltraVision" DSP can provide 650TVL for both Vertical and Horizontal resolutions. Comparing overall resolution "UltraVision" is providing higher resolution even of 650TVL camera.

UltraVision DSP



Conventional DSP



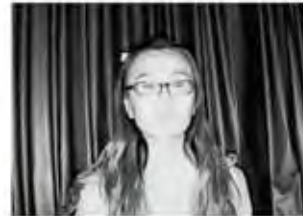
• HIGH SENSITIVITY TRUE DAY&NIGHT

"UltraVision" DSP provide superior performance even at extreme low Light situation down to 0.0003Lux (F.1 B&W with Sens-UP on)

UltraVision DSP



Conventional DSP



• INTELLIGENT IR

UltraVision DSP performs an intelligent IR function, to prevent saturated pixels cause by reflected IR light.

UltraVision DSP



Conventional DSP



• 3D-DNR (Digital Noise Reduction)

"UltraVision" DSP is equipped with the most advance Motion compensated. 3D-DNR function, which results in superior noise reduction with less motion blurring artifacts even at extreme low-light situations.

UltraVision DSP



Conventional DSP



• CAR PLATE RECOGNITION

"UltraVision" excellent WDR performance along with its HCR (headlight car recognition) function provide best solution for car plate recognition applications.

UltraVision DSP





Provision-ISR Ultravision VS Competitor Brands

• Challenged Wide Range Scene



UltraVision DSP



Leading Japanese Brand



Leading Korean Brand



Leading Taiwanese Brand

• Challenged Mixed Low Light With Bright Area Condition
Under B&W Mode



UltraVision DSP



Leading Japanese Brand



Leading Korean Brand



Leading Taiwanese Brand

• Challenged Mixed Low Light With Bright Area Condition
Under Colorful Mode



UltraVision DSP



Leading Japanese Brand



Leading Korean Brand



Leading Taiwanese Brand

PROFESSIONAL BOX CAMERA

BX-371UV



Professional Box Cameras Main Features:

- Superior WDR
- BLC/HLC
- 650 TVL resolution
- 3D-DNR (Digital Noise Reduction)
- OSD Menu
- Superior night function
- Motion detection & Privacy masking
- X10 digital zoom
- IR Cut Filter
- BLC/AGC/HLC

Specifications

MODEL	BX-371UV
Image Sensor	1/3" Sony CCD (PAL:ICX639BK/NTSC:ICX638BK)
DSP System	UltraVision DSP
Effective Pixels	PAL: 752(H)×582(V) / NTSC: 768(H)×494(V)
Scanning System	2 : 1 Interlace
O.S.D	Available
Sync. System	Internal/Line lock
Horizontal Resolution	650TVL
3D-DNR	Off/On(1-63 level adjustable)
S/N(Y Singal)	52dB(AGC OFF)
Lens mount	C/CS
Minimum Illumination	Color: 0.003(0.6)Lux(Sens-up OFF)/B/W: 0.0001(0.1)Lux(Sens-up OFF)
Privacy zone	On/Off(8 Zone)
Sens-up	Auto/Fixed/Off(selectable limit ×2~×512)
Motion Detection	On/Off(8Zone, Alarm output)
Dynamic Range	52dB(×128)
Digital Zoom	On(×10)/Off
Electronic Shutter Speed	NTSC:1/60sec-1/120,000sec PAL:1/50sec-1/120,000sec
Backlight Compensation	WDR/BLC/OFF
Gain Control	Low/Middle/High/Off
D/N Selection	Color/Black&White/Auto
STABILIZER	On / Off
Mirror(H-REV)	On / Off
FLIP(V-REV)	On / Off
White Balance	ATW/AWC/Manual/Outdoor
Freeze	On / Off
SHARPNESS	On/Off(Level Adjustable)
Blemish compensation	64 Point(Even 32 point, ODD 32 point)
Iris Control	DC/Manual
Power	DC12±10% DC12(AC24/DC12 optional)
Dimension	122(L)×75(W)×65(H)mm
Weight	410g



VARI-FOCAL DOME CAMERA

DX-371UVVF



180° Tile Rotation
180° Pan Rotation
360° Horizontal Rotation

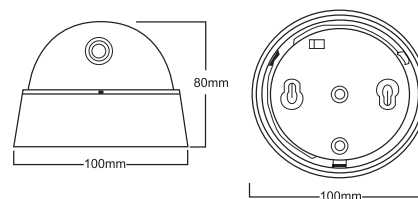


Vari-Focal Dome Cameras Main Features:

- Superior WDR
- 2.8-12mm Mega-Pixel lens
- 650 TVL resolution
- 3D-DNR (Digital Noise Reduction)
- OSD Menu
- Superior night function (0.003 LUX)
- Motion detection & Privacy masking
- 3 Axis Case Mechanism
- X10 digital zoom
- IR Cut Filter
- BLC/AGC/HLC

Specifications

MODEL	DX-371UVVF
Image Sensor	1/3" Sony CCD (PAL:ICX639BK/NTSC:ICX638BK)
DSP System	UltraVision DSP
Effective Pixels	PAL: 752(H)×582(V) / NTSC: 768(H)×494(V)
Scanning System	2 : 1 Interlace
O.S.D	Available
Sync. System	Internal/Line lock
Horizontal Resolution	650TVL
3D-DNR	Off/On(1-63 level adjustable)
S/N(Y Singal)	52dB(AGC OFF)
Lens mount	2.8-12mm Vari-Focal Mega-Pixel Lens
Minimum Illumination	Color: 0.003(0.6)Lux(Sens-up OFF)/B/W: 0.0001(0.1)Lux(Sens-up OFF)
Privacy zone	On/Off(8 Zone)
Sens-up	Auto/Fixed/Off(selectable limit ×2~×512)
Motion Detection	On/Off(8Zone, Alarm output)
Dynamic Range	52dB(×128)
Digital Zoom	On(×10)/Off
Electronic Shutter Speed	NTSC:1/60sec-1/120,000sec PAL:1/50sec-1/120,000sec
Backlight Compensation	WDR/BLC/OFF
Gain Control	Low/Middle/High/Off
D/N Selection	Color/Black&White/Auto
STABILIZER	On / Off
Mirror(H-REV)	On / Off
FLIP(V-REV)	On / Off
White Balance	ATW/AWC/Manual/Outdoor
Freeze	On / Off
SHARPNESS	On/Off(Level Adjustable)
Blemish compensation	64 Point(Even 32 point, ODD 32 point)
Iris Control	Manual
Power	DC12±10% Max 2.0W
Dimension	100W x 80H mm
Weight	280g



ANTI-VANDAL VARI-FOCAL DOME



DA-371UVVF
DAI-371UVVF

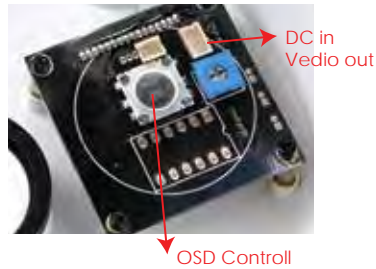
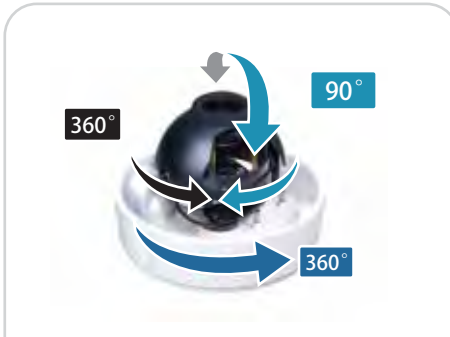


Anti-Vandal Vari-Focal Dome Main Features:

- Superior WDR
- Anti-Vandal Dome Camera
- 2.8-12mm Mega-Pixel lens
- 650 TVL resolution
- 3D-DNR (Digital Noise Reduction)
- OSD Menu
- Superior night function (0.003 LUX)/ IR version 0 LUX
- Motion detection & Privacy masking
- 3 Axis Case Mechanism
- X10 digital zoom
- BLC/AGC/HLC

Specifications

MODEL	DA-371UVVF	DAI-371UVVF
Image Sensor	1/3" Sony CCD (PAL:ICX639BK/NTSC:ICX638BK)	
DSP System	UltraVision DSP	
Effective Pixels	PAL: 752(H)×582(V) / NTSC: 768(H)×494(V)	
Scanning System	2 : 1 Interlace	
O.S.D	Available	
Sync. System	Internal/Line lock	
Horizontal Resolution	Color 650TVL	
3D-DNR	Off/On(1-63 level adjustable)	
S/N(Y Singal)	52dB(AGC OFF)	
Lens	2.8-12mm Vari-Focal Mega-Pixel Lens	
Minimum Illumination	Color: 0.003(0.6)Lux(Sens-up OFF)/B/W: 0.0001(0.1)Lux(Sens-up OFF)	
IR LED	Not Available	30PSC(20m)
Privacy zone	On/Off(8Zone)	
Sens-up	Auto/Fixed/Off(selectable limit ×2-×512)	
Motion Detection	On/Off(8Zone, Alarm output)	
Dynamic Range	52dB(×128)	
Digital Zoom	On(×10)/Off	
Electronic Shutter Speed	NTSC:1/60sec-1/120,000sec PAL:1/50sec-1/120,000sec	
Backlight Compensation	WDR/BLC/OFF	
Gain Control	Low/Middle/High/Off	
D/N Selection	Color/Black&White/Auto	
STABILIZER	On / Off	
Mirror(H-REV)	On / Off	
FLIP(V-REV)	On / Off	
White Balance	ATW/AWC/Manual/Outdoor	
Freeze	On / Off	
SHARPNESS	On/Off(Level Adjustable)	
Blemish compensation	64 Point(Even 32 point, ODD 32 point)	
Iris Control	Manual	
Power	DC 12V / 150mA	DC 12V / 420mA
Dimension	115W x 90H mm	
Weight	510g	520g



INFRA-RED VARI-FOCAL DOME

DI-371UVVF



B-Black



G-Grey



W-White

Infra-Red Vari-Focal Dome Main Features:

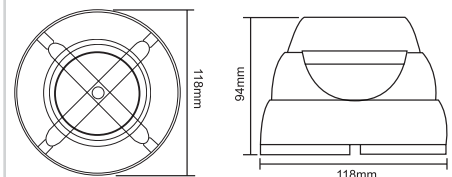
- Superior WDR
- 4-9mm/2.8-12mm Mega-Pixel lens
- 650TVL resolution
- 3D-DNR (Digital Noise Reduction)
- OSD Menu
- Superior night function
- Motion detection & Privacy masking
- Ball Mechanism
- X10 digital zoom
- BLC/AGC/HLC

Specifications

MODEL	DI-371UVVF
Image Sensor	1/3" Sony CCD (PAL:ICX639BK/NTSC:ICX638BK)
DSP System	UltraVision DSP
Effective Pixels	PAL: 752(H)×582(V) / NTSC: 768(H)×494(V)
Scanning System	2 : 1 Interlace
O.S.D	Available
Sync. System	Internal/Line lock
Horizontal Resolution	Color 650TVL
3D-DNR	Off/On(1-63 level adjustable)
S/N(Y Singal)	52dB(AGC OFF)
Lens	4-9/2.8-12mm Lens
Minimum Illumination	Color: 0.003(0.6)Lux(Sens-up OFF)/B/W: 0.0001(0.1)Lux(Sens-up OFF)
IR LED	36PSC(25m)
Privacy zone	On/Off(8Zone)
Sens-up	Auto/Fixed/Off(selectable limit ×2-×512)
Motion Detection	On/Off(8Zone, Alarm output)
Dynamic Range	52dB(×128)
Digital Zoom	On(×10)/Off
Electronic Shutter Speed	NTSC:1/60sec-1/120,000sec PAL:1/50sec-1/120,000sec
Backlight Compensation	WDR/BLC/OFF
Gain Control	Low/Middle/High/Off
D/N Selection	Color/Black&White/Auto
STABILIZER	On / Off
Mirror(H-REV)	On / Off
FLIP(V-REV)	On / Off
White Balance	ATW/AWC/Manual/Outdoor
Freeze	On / Off
SHARPNESS	On/Off(Level Adjutable)
Blemish compensation	64 Point(Even 32 point, ODD 32 point)
Iris Control	Manual
Power	DC 12V / 480mA
Dimension	118W x 94H mm
Weight	730g



OSD Controller



PINHOLE HIDDEN CAMERA

MC-371UV



Pinhole Hidden Cameras Main Features:

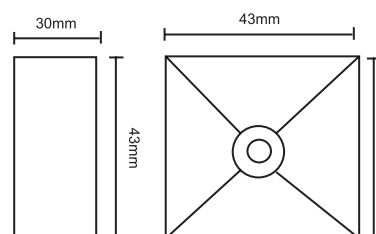
- Superior WDR
- Small and Compact Design
- 3.7mm Pin-Hole Lens
- 650TVL resolution
- 3D-DNR (Digital Noise Reduction)
- OSD Menu
- Superior night function
- Motion detection & Privacy masking
- X10 digital zoom
- IR Cut Filter
- BLC/AGC/HLC
- ATR (Adaptive Tone Reproduction)

Specifications

MODEL	MC-371UV
Image Sensor	1/3" Sony CCD (PAL:ICX639BK/NTSC:ICX638BK)
DSP System	UltraVision DSP
Effective Pixels	PAL: 752(H)×582(V) / NTSC: 768(H)×494(V)
Scanning System	2 : 1 Interlace
O.S.D	Available
Sync. System	Internal/Line lock
Horizontal Resolution	Color 650TVL
3D-DNR	Off/On(1-63 level adjustable)
S/N(Y Singal)	52dB(AGC OFF)
Lens mount	3.7mm Lens
Minimum Illumination	Color: 0.003(0.6)Lux(Sens-up OFF)/B/W: 0.0001(0.1)Lux(Sens-up OFF)
Privacy zone	On/Off(8Zone)
Sens-up	Auto/Fixed/Off(selectable limit ×2-×512)
Motion Detection	On/Off(8Zone, Alarm output)
Dynamic Range	52dB(×128)
Digital Zoom	On(×10)/Off
Electronic Shutter Speed	NTSC:1/60sec-1/120,000sec PAL:1/50sec-1/120,000sec
Backlight Compensation	WDR/BLC/OFF
Gain Control	Low/Middle/High/Off
D/N Selection	Color/Black&White/Auto
STABILIZER	On / Off
Mirror(H-REV)	On / Off
FLIP(V-REV)	On / Off
White Balance	ATW/AWC/Manual/Outdoor
Freeze	On / Off
SHARPNESS	On/Off(Level Adjustable)
Blemish compensation	64 Point(Even 32 point, ODD 32 point)
Iris Control	Manual
Power	DC12±10% Max 2.0W
Dimension	43L x 30W x 43H mm
Weight	90g



Back view



INFRA-RED VARI-FOCAL

I4s-371UVVF

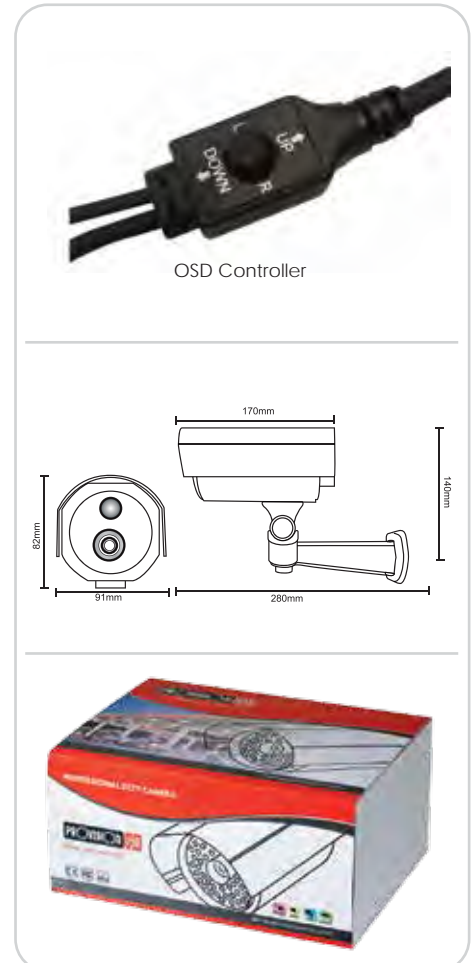


Infra-Red Vari-Focal Main Features:

- Superior WDR
- Visible IR Distance 40M
- 4-9mm Lens
- 650TVL Resolution
- 3D-DNR (Digital Noise Reduction)
- OSD Menu
- Superior night function
- Motion detection & Privacy masking
- X10 digital zoom
- BLC/HLC/AGC

Specifications

MODEL	I4s-371UVVF
Image Sensor	1/3" Sony CCD (PAL:ICX639BK/NTSC:ICX638BK)
DSP System	UltraVision DSP
Effective Pixels	PAL: 752(H)×582(V) / NTSC: 768(H)×494(V)
Scanning System	2 : 1 Interlace
O.S.D	Available
Sync. System	Internal/Line lock
Horizontal Resolution	Color 650TVL
3D-DNR	Off/On(1~63 level adjustable)
S/N(Singal)	52dB(AGC OFF)
Lens	4-9/2.8-12mm Lens
Minimum Illumination	Color: 0.003(0.6)Lux(Sens-up OFF)/B/W: 0.0001(0.1)Lux(Sens-up OFF)
IR LED	Single LED ARRAY (40m)
Privacy zone	On/Off(8Zone)
Sens-up	Auto/Fixed/Off(selectable limit ×2~×512)
Motion Detection	On/Off(8Zone, Alarm output)
Dynamic Range	52dB(×128)
Digital Zoom	On(×10)/Off
Electronic Shutter Speed	NTSC:1/60sec-1/120,000sec PAL:1/50sec-1/120,000sec
Backlight Compensation	WDR/BLC/OFF
Gain Control	Low/Middle/High/Off
D/N Selection	Color/Black&White/Auto
STABILIZER	On / Off
Mirror(H-REV)	On / Off
FLIP(V-REV)	On / Off
White Balance	ATW/AWC/Manual/Outdoor
Freeze	On / Off
SHARPNESS	On/Off(Level Adjustable)
Blemish compensation	64 Point(Even 32 point, ODD 32 point)
Iris Control	Manual
Power	DC 12V / 480mA
Dimension	161L x 82W x 78H mm
Weight	770g



INFRA-RED VARI-FOCAL

I3-371UVVF
I4-371UVVF



* Functionality is subject to camera model



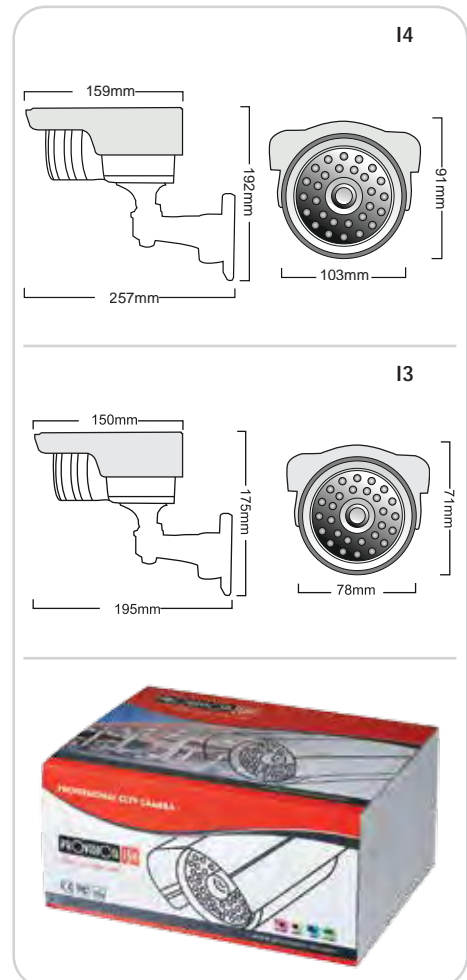
I4

Infra-Red Vari-Focal Main Features:

- Superior WDR
- 4-9/2.8-12mm
- Vari-focal Lens
- 650TVL resolution
- 3D-DNR (Digital Noise Reduction)
- OSD Menu
- Superior night function
- Motion detection & Privacy masking
- X10 digital zoom
- BLC/AGC/HLC

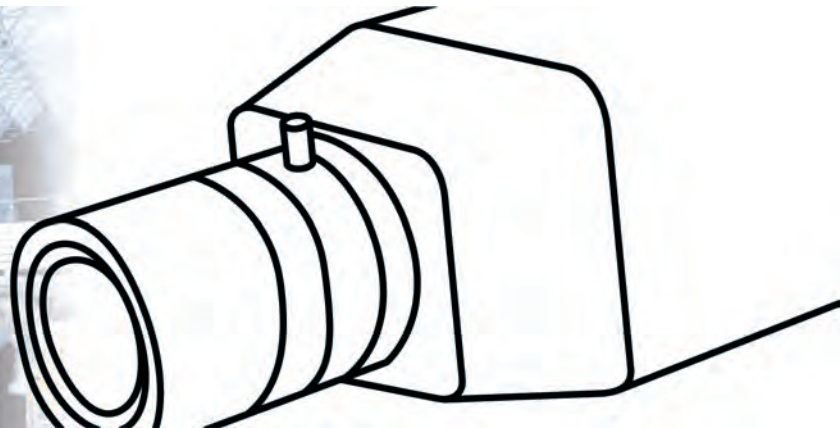
Specifications

MODEL	I3-371UVVF	I4-371UVVF
Image Sensor	1/3" Sony CCD (PAL:ICX639BK/NTSC:ICX638BK)	
DSP System	UltraVision DSP	
Effective Pixels	PAL: 752(H)×582(V) / NTSC: 768(H)×494(V)	
Scanning System	2 : 1 Interlace	
O.S.D	Available	
Sync. System	Internal/Line lock	
Horizontal Resolution	Color 650TVL	
3D-DNR	Off/On(1-63 level adjustable)	
S/N(Y Singal)	52dB(AGC OFF)	
Lens	4-9/2.8-12mm Lens	
Minimum Illumination	Color: 0.003(0.6)Lux(Sens-up OFF)/B/W: 0.0001(0.1)Lux(Sens-up OFF)	
IR LED	36 PSC (30m)	76 PSC (40m)
Privacy zone	On/Off(8Zone)	
Sens-up	Auto/Fixed/Off(selectable limit x2-x512)	
Motion Detection	On/Off(8Zone, Alarm output)	
Dynamic Range	52dB(x128)	
Digital Zoom	On(x10)/Off	
Electronic Shutter Speed	NTSC:1/60sec-1/120,000sec PAL:1/50sec-1/120,000sec	
Backlight Compensation	WDR/BLC/OFF	
Gain Control	Low/Middle/High/Off	
D/N Selection	Color/Black&White/Auto	
STABILIZER	On / Off	
Mirror(H-REV)	On / Off	
FLIP(V-REV)	On / Off	
White Balance	ATW/AWC/Manual/Outdoor	
Freeze	On / Off	
SHARPNESS	On/Off(Level Adjustable)	
Blemish compensation	64 Point(Even 32 point, ODD 32 point)	
Iris Control	Manual	
Power	DC 12V / 430mA	DC 12V / 640mA
Dimension	195L x 78W x 175H mm	257L x 103W x 192H mm
Weight	810G	960G



TRADITIONAL BOX CAMERA

Series



Box cameras are usually installed when there is a need for special lenses, or when there is a need for quality video capture. Provision-ISR box cameras are all made of first grade components to provide a superior video quality.

The main advantages of Box cameras where to other cameras are

1. Lens flexibility: Unlike others cameras where the manufacturer determines the lens sizes, with BOX cameras it is possible to adjust the lens in accordance with the client's needs, the lighting conditions, distances and size of the object captured.
2. Video controls: the video controls is done by DIP switches or OSD (On Screen Display) buttons at the back of camera which allows to control video functions such as:

AGC- Auto gain control (on/off), increasing the video signal when there is a low amount of light to achieve a brighter image

BLC- Back light compensation (on/off), adjusts the image to compensate for areas that are overshadowed caused by majority of brighter areas.

AES- Electronic shutter speed and more...

Box cameras can be used indoor with mounting bracket or outdoor in weatherproof housings.



P18 HIGH RESOLUTION CAMERA

P19 ECONOMY CAMERA

P20 STANDARD CAMERA

P21 PROFESSIONAL ZOOM CAMERA

HIGH RESOLUTION CAMERA

BX-372CS

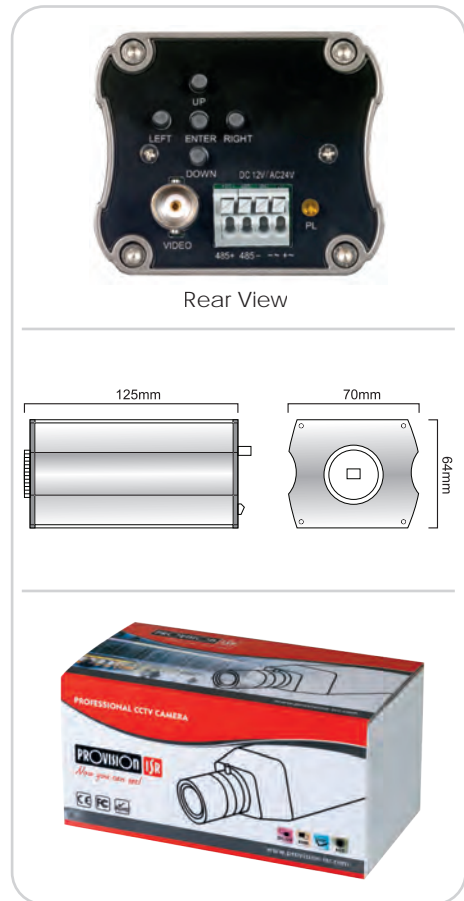


Professional Box Cameras Main Features:

- 650 TVL resolution
- 2D Noise Reduction
- OSD Menu
- Motion Detection & Privacy Masking
- Color Rolling Control
- BLC/HLC/AGC
- IR Cut Filter
- ATR (Adaptive Tone Reproduction)
- 1/3 Sony CCD
- Support DC/VIDEO Auto iris Lens
- CS lens mount

Specifications

MODEL	BX-372CS
Image Sensor	1/3" Sony CCD (PAL:ICX673AK/NTSC:ICX672AK)
DSP System	CXD4140
Effective Pixels	PAL:976(H)x582(V) / NTSC:976(H)x494(V)
Scanning System	PAL/NTSC
Horizontal Resolution	650TVL
Min. Illumination	0.03 Lux / F1.0
OSD Menu	Available(7 languages)
Backlight Compensation	BLC/HLC/OFF selectable
Sync. System	Internal
S/N Ratio	≥48db (AGC Off)
White Balance	Atw/Push/User Anti CR/Manual
Gamma Correction	0.45
Gain Control	Yes
Motion Detection	On/Off(4 Zone)
Privacy Masking	On/Off(4 Zone)
Mirror(H-REV)	On/Off
SHARPNESS	On/Off (Level Adjustable)
D/N Selection	Color/B/W/Autc
ATR	On/Off
Noise Reduce	2D-DNR
Picture Adjustment	Yes
Analog Output	Composite, BNC (1.0Vp-p.75hm)
Lens	CS mount DC/Video Drive Support
Power	DC 12V 150mε
Dimension	125L x 70W x 64H mmr
Net Weight	530g Without Lens



ECONOMY CAMERA

BX-425CS

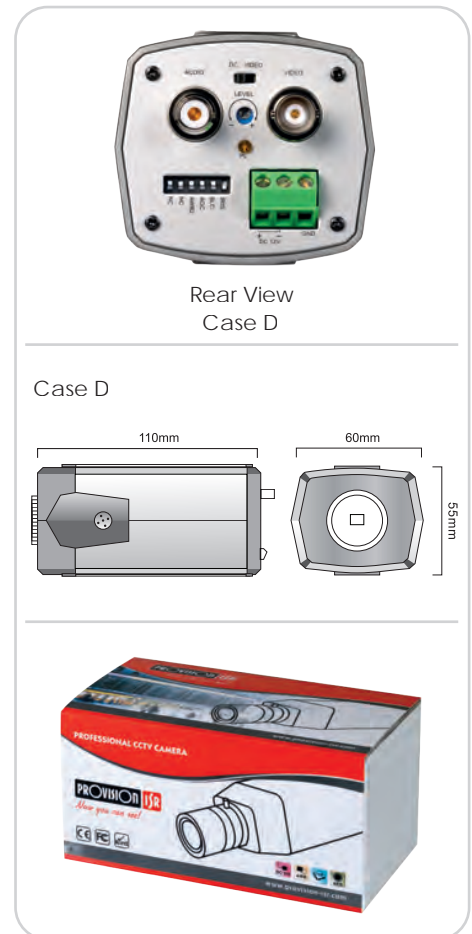


Economy Cameras Main Features:

- 1/4 Sony CCD
- 420TVL resolution
- Built in Mini microphone
- Back light compensation
- Auto White balance
- Support DC/VIDEO Auto iris Lens
- Dip Switch Control
- Terminal Block Power Socket
- IR Cut Filter

Specifications

MODEL	BX-425CS
Image Sensor	1/4" Sony CCD (PAL:ICX643BK/NTSC:ICX642BK)
DSP System	CXD3142
TV System	PAL/NTSC
Effective Pixels	PAL:537 (H) x597 (V) NTSC:537 (H) x505 (V)
Horizontal Resolution	420TVL
Minimum Illumination	0.5 LUX/F1.2
S/N Ratio	48db (AGC Off)
Video Output	Composite 1.0Vp-p at 75Ohm
White Balance	AWB
Electronic Shutter	1/50 ~ 1/120000 Sec.
Gamma Correction	0.45
Sync. System	Internal
Auto Iris Control	Video/DC Switchable
Lens	CS mount DC/Video Drive Support
Power	DC 12V / 180mA
Operation Temperature	-10°C ~ 50°C
Dimension	110L x 60W x 55H mm
Net Weight	380g



STANDARD CAMERA

BX-322CS

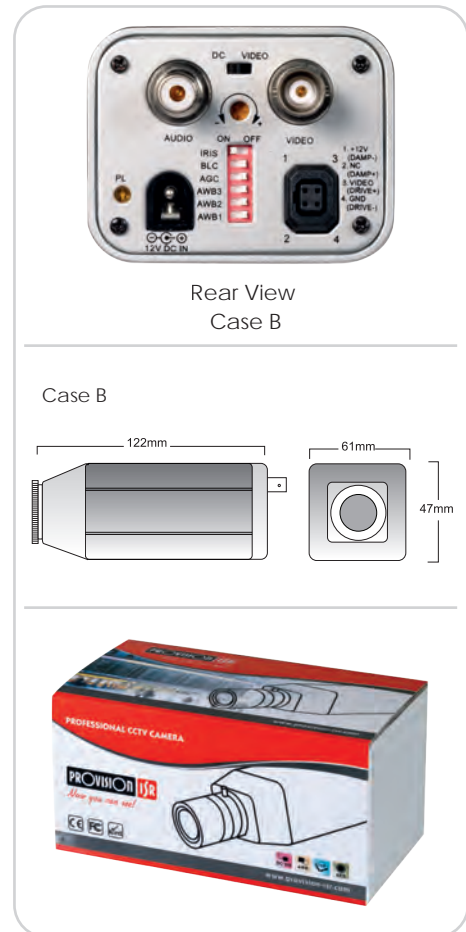


Standard Cameras Main Features:

- 1/3 Sony CCD,
- 420TVL resolution
- Built-in Mini microphone
- Back light compensation
- Auto White balance
- Day & Night Function
- Support DC/VIDEO Auto iris Lens
- Dip Switch Control
- IR Cut Filter

Specifications

MODEL	BX-322CS
Image Sensor	1/3" Sony CCD (PAL:ICX633BK/NTSC:ICX632BAK)
DSP System	CXD3142
TV System	PAL/NTSC
Effective Pixels	PAL:537(H)×597(V) / NTSC:537(H)×505(V)
Horizontal Resolution	420TVL
Minimum Illumination	0.05 LUX/F1.2
S/N Ratio	48db (AGC Off)
Video Output	Composite 1.0Vp-p at 75Ohm
White Balance	AWB
Electronic Shutter	1/50 - 1/120000 Sec.
Gamma Correction	0.45
Sync. System	Internal
Auto Iris Control	Video/DC Switchable
Lens	CS mount DC/Video Drive Support
Power	DC 12V/ 180ma
Operation Temperature	-10°C ~ 50°C
Dimension	105L x 66W x 52H mm
Net Weight	300g



BOX

PROFESSIONAL ZOOM CAMERA

BZ-371CSX22
BZ-472CSX22

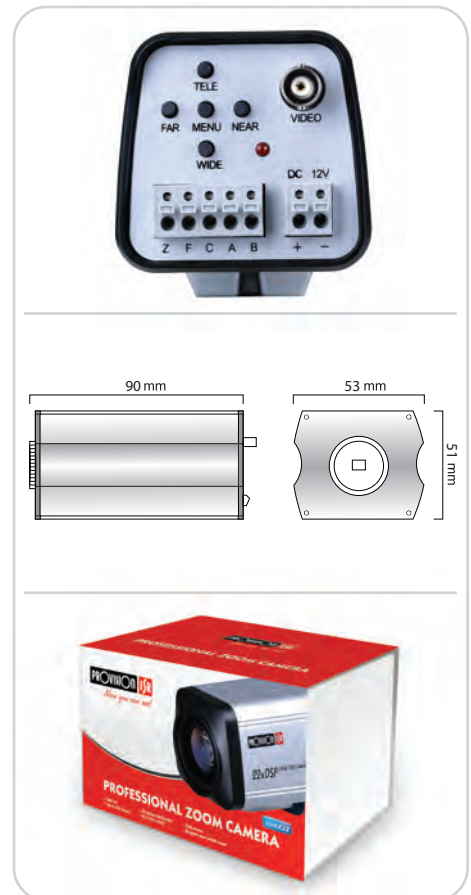


* Functionality is subject to camera model

- Indoor Application
- Up to 22X Zoom.
- SONY 1/3 CCD
- BLC/HLC/AGC
- ICR
- RS-485 control
- Elegant and small case
- SONY EFFIO-E
- 2D Noise Reduction
- OSD Menu
- 2D Noise Reduction
- SONY 1/4 CCD
- BLC/HLC/AGC
- SONY EFFIO-E

Camera Specification

MODEL	BZ-371CSX22	BZ-472CSX22
Image sensor	1/3 Sony CCD (PAL:ICX673AK/NTSC:ICX672AK)	1/4 Sony CCD (PAL:ICX679AK/NTSC:ICX678AK)
DSP system	CXD 4127	
Effective Pixles	976Hx596V	
Scanning System	PAL/NTSC	
Horizontal resolution	650TVL	
Optical zoom	22X f=3.7-81.4mm	
Sync system	Internal Sync	
Min illumination	color:0.3LUX, BW:0.03LUX	
D&N	Auto/Day/Night mode	
True D&N	Yes (ICR)	No
S/N ratio	≥50db (AGC Off)	
OSD	Built In	
Focus	Auto Single/Auto Cont./Manual	
Auto gain	Auto/Manual	
Wide-D	No	
White balance	Auto	
BLC	On/Off	
AGC	High/Middle/Low	
Mirror	On/Off	
Shutter speed	1/50-1/120000 seconds	
Sense up	No	
Noise reduction	No	
Communication	RS485, Pelco D/P, B.Rate	
Power supply	DC12V/Max 210mA	DC12V/Max 180mA
Operating Temp.	0°C~+70°C	
Dimension	51mmX53mmX90mm	
Weight	540g	



CAMERA CASES

H




- Elegant Design.
- DC Power Socket.
- Internal Microphone.
- Dip switch control




Rear view



B



- DC Power Socket.
- Internal Microphone.
- Dip switch control



Rear view



D



- Professional Case
- Terminal Block Power Socket.
- Internal Microphone.



Rear view



M



- Elegant Design.
- Terminal Block Power Socket.
- OSD Controller.



Rear view



DOMe CAMERA

Series



Dome cameras are considered to be the most common CCTV cameras for indoor use. The round shape structure gives "DOME" cameras its unique character and makes it difficult to identify the direction the camera is pointed to, therefore it can be installed at buildings entrances, shops, offices and malls. DOME cameras also have a wide range of solutions-

- **Fixed lens DOME cameras** usually mounted with 3.6mm lens which produces an angle of 90°, so the camera could be mounted in corners allowing capturing of almost the entire room.
- **Vari-focal lens dome cameras** for best adjustments to the client requirements, allowing the best scene capturing and for faster installation.
- **Infrared Red dome cameras** for delivering clear image at both day and night time.
- **Anti Vandal cameras** for public areas.

The Provision -ISR dome camera design is based on many years of experience and knowledge in the CCTV industry, in order to bring you the best image for any required application.



P24 STANDARD CAMERA

P25 HIGH RESOLUTION CAMERA

P26 VARI-FOCAL CAMERA

P27 ANTI-VANDAL VARI-FOCAL

P28 ANTI-VANDAL INFRA RED VARI-FOCAL

P29 INFRA RED PLASTIC

P30 INFRA RED METAL

P31 VARI-FOCAL INFRA RED

P32 CORNER MOUNT

STANDARD CAMERA

DX-322CS(BJ)

DX-425CS(BJ)



B-BLACK



W-WHITE

Standard Cameras Main Features:

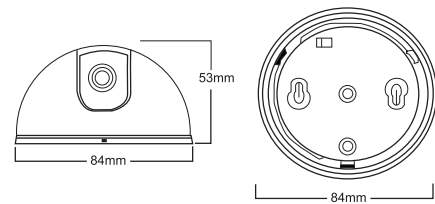
- 1/3 SONY CCD
- 420 TVL resolution
- Auto White Balance
- 3.6mm Wide angle lens
- Indoor application
- IR CUT FILTER
- Compact and Beautiful Design

Specifications

MODEL	DX-322CS	DX-425CS
Image Sensor	1/3" Sony CCD (PAL:ICX633BK/NTSC:ICX632BK)	1/4" Sony CCD (PAL:ICX643BK/NTSC:ICX642BK)
DSP System	CXD3142	
TV System	PAL/NTSC	
Effective Pixels	PAL:537(H)×597(V) / NTSC:537(H)×505(V)	
Horizontal Resolution	420TVL	
Minimum Illumination	0.05 LUX/F1.2	0.5 LUX/F1.2
S/N Ratio	48db (AGC Off)	
Video Output	Composite 1.0Vp-p at 75Ohm	
White Balance	Auto (AWB)	
Electronic Shutter	Auto (1/50 ~ 1/100000 Sec.)	
Gamma Correction	0.45	
Sync. System	Internal	
Gain Control	Auto (AGC)	
Lens	3.6mm Board Lens	
Power	DC 12V / 150mA	
Operation Temperature	-10°C ~ 50°C	
Dimension	84W x 53H mm	
Net Weight	140g	



Independent ceiling mount for fast and easy installation



HIGH RESOLUTION CAMERA

DX-372CS



SB-BLACK



SW-WHITE

High Resolution Cameras Main Features:

- Sony Effio-E
- 650 TVL Resolution
- 1/3 CCD
- Motion Detection and Privacy Masking
- Color Rolling Control
- BLC/HLC/AGC
- 2D Noise Reduction
- OSD Menu
- IR Cut Filter

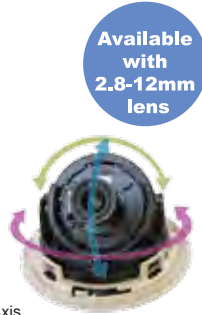
Specifications

MODEL	DX-372CS
Image Sensor	1/3" Sony DS CCD (PAL:ICX673AK/NTSC:ICX672AK)
DSP System	CXD4140
Effective Pixels	PAL:976(H)x582(V) / NTSC:976(H)x494(V)
Scanning System	PAL/NTSC
Horizontal Resolution	650TVL
Min. Illumination	0.03 Lux / F1.0
OSD Menu	Available(7 languages)
Backlight Compensation	BLC/HLC/OFF
Sync. System	Internal
S/N Ratio	≥48db (AGC Off)
White Balance	Atw/Push/User/ Anti CR/Manual
Gamma Correction	0.45
Gain Control	Yes
Motion Detection	On/Off(4 Zone)
Privacy Masking	On/Off(4 Zone)
Mirror(H-REV)	On/Off
SHARPNESS	On/Off (Level Adjustable)
D/N Selection	Color/B/W/Auto
ATR	On/Off
Noise Reduce	2D-DNR
Picture Adjustment	Yes
Analog Output	Composite, BNC (1.0Vp-p.75hm)
Lens	3.6/4 mm
Power	DC 12V / 180mA
Dimension	100W x 80H mm
Net Weight	160g



VARI-FOCAL CAMERA

DX-322CSVF
DX-372CSVF



3 Axis
180° Tilt Rotation
180° Pan Rotation
360° Horizontal Rotation



* Functionality is subject to camera model

- Vari Focal 2.8-12/ 4~9mm lens
- 3 AXIS Mechanism
- Beautiful Design
- Friendly Installation
- R CUT FILTER

DX-372CSVF

- Sony Effio-E
- 1/3" CCD 650 TVL
- 2D Noise Reduction
- OSD Menu
- Motion Detection and Privacy Masking
- Color Rolling Control
- BLC/HLC/AGC
- ATR (Adaptive Tone Reproduction)

DX-322CSVF

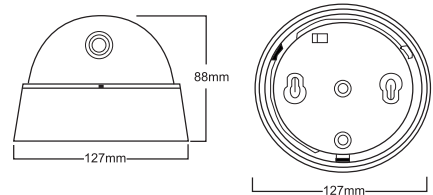
- 1/3 SONY CCD
- 420 TVL resolution
- Compact and Beautiful Design
- Auto White Balance

Specifications

MODEL	DX-372CSVF	DX-322CSVF
Image Sensor	1/3" Sony DS CCD (PAL:ICX673AK/NTSC:ICX672AK)	1/3" Sony CCD (PAL:ICX633BK/NTSC:ICX632BK)
DSP System	CXD4140	CXD3142
Effective Pixels	PAL:976(H)x582(V) NTSC:976(H)x494(V)	PAL:537(H)x597(V) NTSC:537(H)x505(V)
Scanning System	PAL/NTSC	
Horizontal Resolution	650TVL	420TVL
Min. Illumination	0.3 Lux / F1.0	0.5 LUX
OSD Menu	Available(7 languages)	Not Available
Backlight Compensation	BLC/HLC/OFF	Not Available
Sync. System	Internal	Internal
S/N Ratio	≥48db (AGC Off)	48db (AGC Off)
White Balance	Atw/Push/User/ Anti CR/Manual	Auto (AWB)
Gamma Correction	0.45	0.45
Gain Control	Yes	Auto (AGC)
Motion Detection	On/Off(4 Zone)	Not Available
Privacy Masking	On/Off(4 Zone)	Not Available
Mirror(H-REV)	On/Off	Not Available
SHARPNESS	On/Off (Level Adjustable)	Not Available
D/N Selection	Color/B/W/Auto	Not Available
ATR	On/Off	Not Available
Noise Reduce	2D-DNR	Not Available
Picture Adjustment	Yes	Not Available
Analog Output	Composite, BNC (1.0Vp-p.75hm)	
Lens	4-9mm/2.8-12mm	
Power	DC 12V / 150mA	
Dimension	127W x 88H mm	
Net Weight	280G	



Independent ceiling mount for fast and easy installation



ANTI-VANDAL VARI-FOCAL

DA-322CSVF
DA-372CSVF



Available with 2.8-12mm lens



* Functionality is subject to camera model

- Vari Focal 2.8-12/ 4-9mm lens
- 3 AXIS Mechanism
- Beautiful Design
- Friendly Installation
- IR CUT FILTER

DA-372CSVF

- Sony Effio-E
- 1/3" CCD 650 TVL
- 2D Noise Reduction
- OSD Menu
- Motion Detection and Privacy Masking
- Color Rolling Control
- BLC/HLC/AGC
- ATR (Adaptive Tone Reproduction)

DA-322CSVF

- 1/3 SONY CCD
- 420 TVL resolution
- Compact and Beautiful Design
- Auto White Balance

Specifications

MODEL	DA-372CSVF	DA-322CSVF
Image Sensor	1/3" Sony DS CCD (PAL:ICX673AK/NTSC:ICX672AK)	1/3" Sony CCD (PAL:ICX633BK/NTSC:ICX632BK)
DSP System	CXD4140	CXD3142
Effective Pixels	PAL:976(H)x582(V) NTSC:976(H)x494(V)	PAL:537(H)x597(V) NTSC:537(H)x505(V)
Scanning System	PAL/NTSC	
Horizontal Resolution	650TVL	420TVL
Min. Illumination	0.3 Lux / F1.0	0.5 LUX
OSD Menu	Available (7 languages)	Not Available
Backlight Compensation	BLC/HLC/OFF	Not Available
Sync. System	Internal	Internal
S/N Ratio	≥48db (AGC Off)	48db (AGC Off)
White Balance	Atw/Push/User/Anti CR/Manual	Auto (AWB)
Gamma Correction	0.45	0.45
Gain Control	Yes	Auto (AGC)
Motion Detection	On/Off(4 Zone)	Not Available
Privacy Masking	On/Off(4 Zone)	Not Available
Mirror(H-REV)	On/Off	Not Available
SHARPNESS	On/Off (Level Adjustable)	Not Available
D/N Selection	Color/B/W/Auto	Not Available
ATR	On/Off	Not Available
Noise Reduce	2D-DNR	Not Available
Picture Adjustment	Yes	Not Available
Analog Output	Composite, BNC (1.0Vp-p.75hm)	
Lens	4-9mm/2.8-12mm	
Power	DC 12V / 150mA	
Dimension	160W x 110H mm	
Net Weight	920G	



ANTI-VANDAL INFRA RED, VARI-FOCAL

DAI-320CSVF
DAI-370CSVF



Available
with
2.8-12mm
lens



* Functionality is subject to camera model

- Vari Focal 2.8-12/ 4-9mm lens
 - Visible IR Distance 25 M
 - 3 AXIS Mechanism
 - Beautiful Design
 - Friendly Installation
- DAI-370CSVF
- Sony Effio-E
 - 1/3" CCD 650 TVL
 - 2D Noise Reduction
 - OSD Menu
 - Motion Detection and Privacy Masking
 - Color Rolling Control
 - BLC/HLC/AGC
 - ATR (Adaptive Tone Reproduction)
- DAI-320CSVF
- 1/3 SONY CCD
 - 420 TVL
 - Compact and Beautiful Design
 - Auto White Balance

Specifications

MODEL	DAI-370CSVF	DAI-320CSVF
Image Sensor	1/3" Sony DS CCD (PAL:ICX673AK/NTSC:ICX672AK)	1/3" Sony CCD (PAL:ICX633BK/NTSC:ICX632BK)
DSP System	CXD4140	CXD3142
Effective Pixels	PAL:976(H)x582(V) NTSC:976(H)x494(V)	PAL:537(H)x597(V) NTSC:537(H)x505(V)
Scanning System	PAL/NTSC	
Horizontal Resolution	650TVL	420TVL
Min. Illumination	0.03 Lux / F1.0 (0 Lux IR ON)	0.05 Lux / F1.0 (0 Lux IR ON)
IR LED	18pcs(25M)	
OSD Menu	Available(7 languages)	Not Available
Backlight Compensator	BLC/HLC/OFF	Not Available
Sync. System	Internal	Internal
S/N Ratio	≥48db (AGC Off)	48db (AGC Off)
White Balance	Atw/Push/User/ Anti CR/Manual	Auto (AWB)
Gamma Correction	0.45	0.45
Gain Control	Yes	Auto (AGC)
Motion Detection	On/Off(4 Zone)	Not Available
Privacy Masking	On/Off(4 Zone)	Not Available
Mirror(H-REV)	On/Off	Not Available
SHARPNESS	On/Off (Level Adjustable)	Not Available
D/N Selection	Color/B/W/Auto	Not Available
ATR	On/Off	Not Available
Noise Reduce	2D-DNR	Not Available
Picture Adjustment	Yes	Not Available
Analog Output	Composite, BNC (1.0Vp-p.75hm)	
Lens	4-9mm/2.8-12 mm	
Power	DC 12V / 420mA	
Dimension	160W x 110H mm	
Net Weight	920G	



INFRA RED PLASTIC CAMERA

DI-325CS(PL)
DI-370CS(PL)



* Functionality is subject to camera model

- For Day & Night Conditions
- Visible IR Distance 15M
- 24 IR Leds
- 3.6mm wide-angle lens

DI-325CS(PL)

- 1/3 SONY CCD
- 420 TVL resolution
- Auto White Balance

DI-370CS(PL)

- SONY EFFIO-E
- 1/3 CCD 650 TVL
- 2D Noise Reduction

- OSD Menu
- Motion Detection and Privacy Masking
- Color Rolling Control

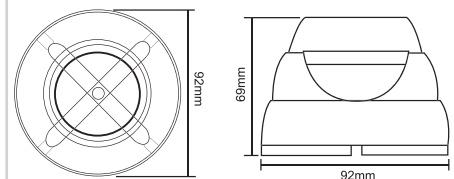
- BLC/HLC/AGC
- ATR (Adaptive Tone Reproduction)

Specifications

MODEL	DI-370CS(PL)	DI-325CS(PL)
Image Sensor	1/3" Sony CCD (PAL:ICX673AK/NTSC:ICX672AK)	1/3" Sony CCD (PAL:ICX633BK/NTSC:ICX632BK)
DSP System	CXD4140	CXD3142
Effective Pixels	PAL:976(H)x582(V) NTSC:976(H)x494(V)	PAL:537(H)x597(V) NTSC:537(H)x505(V)
Scanning System	PAL/NTSC	
Horizontal Resolution	650TVL	420TVL
Min. Illumination	0.3 Lux / F1.0 (0 Lux IR On)	0.5 LUX (0 Lux IR On)
IR LED	24 LED (15m)	
OSD Menu	Available(7 languages)	Not Available
Backlight Compensation	BLC/HLC/OFF selectable	Not Available
Sync. System	Internal	Internal
S/N Ratio	≥48db (AGC Off)	48db (AGC Off)
White Balance	Atw/Push/User /Anti CR/Manual	Auto (AWB)
Gamma Correction	0.45	0.45
Gain Control	Yes	Auto (AGC)
Motion Detection	On/Off(4 Zone)	Not Available
Privacy Masking	On/Off(4 Zone)	Not Available
Mirror(H-REV)	On/Off	Not Available
SHARPNESS	On/Off (Level Adjustable)	Not Available
D/N Selection	Color/B/W/Auto	Not Available
ATR	On/Off	Not Available
Noise Reduce	2D-DNR	Not Available
Picture Adjustment	Yes	Not Available
Analog Output	Composite, BNC (1.0Vp-p.75hm)	Not Available
Lens	3.6/4mm	
Power	DC 12V / 300mA	
Dimension	92W x69H mm	
Net Weight	160g	



Round design for all directions movement



INFRA RED METAL CAMERA

DI-325CS(FL)
DI-370CS(FL)



* Functionality is subject to camera model

- Elegant metal case
- 24 IR Leds
- For Day & Night Conditions
- Visible distance at dark (IR on) 15M
- 3.6mm wide-angle lens

DI-325CS(FL)

- 1/3 SONY CCD
- 420 TVL
- Auto White Balance

DI-370CS(FL)

- SONY EFFIO-E
- 1/3 CCD 650 TVL
- 2D Noise Reduction
- OSD Menu
- Motion Detection and Privacy Masking
- Color Rolling Control

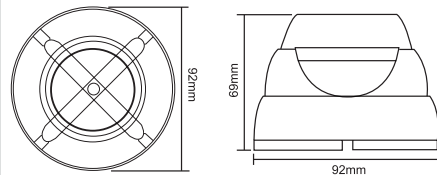
- BLC/HLC/AGC
- ATR (Adaptive Tone Reproduction)

Specifications

MODEL	DI-370CS(FL)	DI-325CS(FL)
Image Sensor	1/3" Sony DS CCD (PAL:ICX673AK/NTSC:ICX672AK)	1/3" Sony CCD (PAL:ICX633BK/NTSC:ICX632BK)
DSP System	CXD4140	CXD3142
Effective Pixels	PAL:976(H)x582(V) NTSC:976(H)x494(V)	PAL:537(H)x597(V) NTSC:537(H)x505(V)
Scanning System	PAL/NTSC	PAL/NTSC
Horizontal Resolution	650TVL	420TVL
Min. Illumination	0.3 Lux / F1.0 (0 Lux IR On)	0.5 LUX (0 Lux IR On)
IR LED	24 PSC (15mt)	
OSD Menu	Available(7 languages)	Not Available
Backlight Compensation	BLC/HLC/OFF selectable	Not Available
Sync. System	Internal	Internal
S/N Ratio	≥48db (AGC Off)	48db (AGC Off)
White Balance	Atw/Push/User /Anti CR/Manual	Auto (AWB)
Gamma Correction	0.45	0.45
Gain Control	Yes	Auto (AGC)
Motion Detection	On/Off(4 Zone)	Not Available
Privacy Masking	On/Off(4 Zone)	Not Available
Mirror(H-REV)	On/Off	Not Available
SHARPNESS	On/Off (Level Adjustable)	Not Available
D/N Selection	Color/B/W/Auto	Not Available
ATR	On/Off	Not Available
Noise Reduce	2D-DNR	Not Available
Picture Adjustment	Yes	Not Available
Analog Output	Composite, BNC (1.0Vp-p.75hm)	Not Available
Lens	3.6/4 mm	
Power	DC 12V 320ma	
Dimension	94WX69H	
Net Weight	310G	



Junction Box is available



VARI-FOCAL INFRA RED

DI-325CSVF
DI-370CSVF



Available
with
2.8-12mm
lens



* Functionality is subject to camera model

- Vari Focal 2.8-12/ 4-9mm lens
- Elegant metal case
- For Day & Night Conditions
- Visible IR Distance 25 M

DI-325CSVF

- 1/3 SONY CCD
- 420 TVL
- AWB- Auto White Balance

DI-370CSVF

- SONY EFFIO-E
- 1/3 CCD 650 TVL
- 2D Noise Reduction
- OSD Menu
- Motion Detection and Privacy Masking
- Color Rolling Control

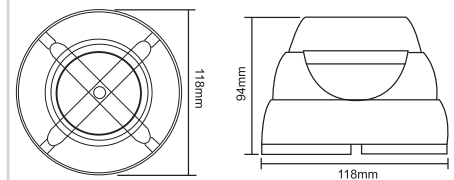
- BLC/HLC/AGC
- ATR (Adaptive Tone Reproduction)

Specifications

MODEL	DI-370CSVF	DI-325CSVF
Image Sensor	1/3" Sony CCD (PAL:ICX673AK/NTSC:ICX672AK)	1/3" Sony CCD (PAL:ICX633BK/NTSC:ICX632BK)
DSP System	CXD4127	CXD3142
Effective Pixels	PAL:976(H)x582(V) NTSC:976(H)x494(V)	PAL:537(H)x597(V) NTSC:537(H)x505(V)
Scanning System	PAL/NTSC	
Horizontal Resolution	650TVL	420TVL
Min. Illumination	0.03 Lux / F1.0	0.5 LUX (0 Lux IR On)
IR LED	24 LED (15mt)	36PSC (25mt)
OSD Menu	Available(7 languages)	Not Available
Backlight Compensation	BLC/HLC/OFF selectable	Not Available
Sync. System	Internal	Internal
S/N Ratio	≥48db (AGC Off)	48db (AGC Off)
White Balance	Atw/Push/User /Anti CR/Manual	Auto (AWB)
Gamma Correction	0.45	0.45
Gain Control	Yes	Auto (AGC)
Motion Detection	On/Off(4 Zone)	Not Available
Privacy Masking	On/Off(4 Zone)	Not Available
Mirror(H-REV)	On/Off	Not Available
SHARPNESS	On/Off (Level Adjustable)	Not Available
D/N Selection	Color/B/W/Auto	Not Available
ATR	On/Off	Not Available
Noise Reduce	2D-DNR	Not Available
Picture Adjustment	Yes	Not Available
Analog Output	Composite, BNC (1.0Vp-p.75hm)	
Lens	4-9/2.8-12mm Vari-focal Lens	
Power	DC 12V / 470mA	
Dimension	118W x 94H mm	
Net Weight	730G	

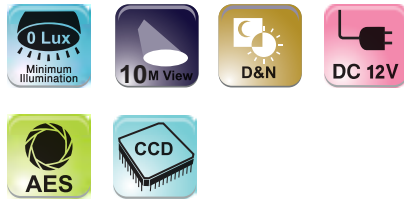


Round design for all directions movement



CORNER MOUNT CAMERA

CM-325CS

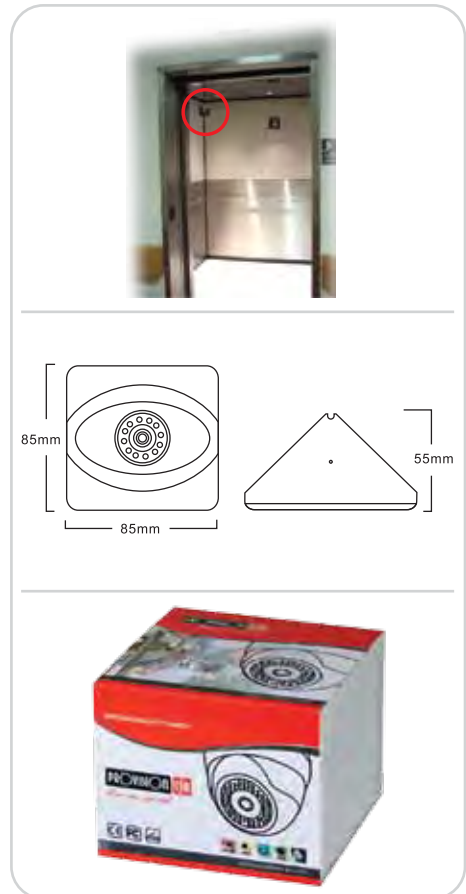


Corner Mount Cameras Main Features:

- 24 IR Leds
- For Day & Night Conditions
- 1/3" SONY CCD
- Auto White Balance
- 420TVL resolution
- Visible IR Distance 10M

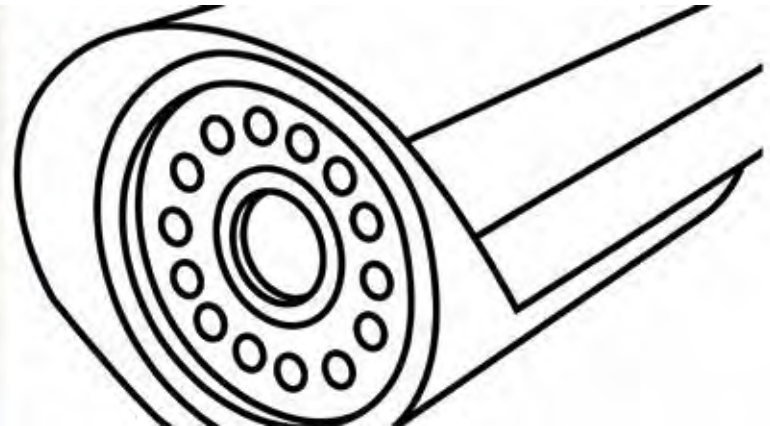
Specifications

MODEL	CM-325CS
Image Sensor	1/3" Sony CCD (PAL:ICX633BK/NTSC:ICX632BK)
DSP System	CXD3142
TV System	PAL/NTSC
Effective Pixels	PAL:537(H)×597(V) / NTSC:537(H)×505(V)
Horizontal Resolution	420TVL
Minimum Illumination	0.5 LUX (0 Lux IR On)
S/N Ratio	48db (AGC Off)
Video Output	Composite 1.0Vp-p at 75Ohm
White Balance	Auto (AWB)
Gain Control	Auto (AGC)
Electronic Shutter	Auto (1/50 - 1/120000 Sec.)
Gamma Correction	0.45
Sync. System	Internal
IR LED	12 PSC
IR View Distance	10m
Lens	3.6mm Board Lens
Power	DC 12V / 110mA
Operation Temperature	-10°C - 50°C
Dimension	55W x 85H x 85L
Net Weight	130g



INFRA RED CAMERA

Series



IR cameras are designed to capture video during day & night running from normal illumination conditions to complete darkness. What distinguishes the infrared cameras is the IR LED's which allow the camera to "absorb" light waves in IR spectrum that the human eye can not see.

How does it work?

The IR "hits" the objects and returns to the camera just like the light rays of the sun do and create an image. The lighting distance in the IR cameras is determined by the LEDS quantity, type and quality.

Provision-ISR cameras, are made from the best quality IR LEDs to achieve longer lifetime and maximum reliability along with a bright and clear image.

I1-C



I2-C



I2-U



I3-VF



I4-L



P34 10M CAMERAS

P35 20M CAMERAS

P36 25M CAMERAS

P37 40M CAMERAS

P38 30M VARI-FOCAL

P39 40M VARI-FOCAL

P40 ILLUMINATORS

P41 INFRA RED CASES

INFRA RED

10M CAMERA

I1-325CS



10M Cameras Main Features:

- Day & Night Function
- 12 IR Leds
- Visible distance at 0 Lux dark (IR On) 10m
- Waterproof
- Auto White Balance
- Indoor & Outdoor Applications
- Bracket Included

Specifications

MODEL	I1-325CS
Image Sensor	1/3" Sony CCD (PAL:ICX633BK/NTSC:ICX632BK)
DSP System	CXD3142
TV System	PAL/NTSC
Effective Pixels	PAL:537 (H) x597 (V) NTSC:537 (H) x505 (V)
Horizontal Resolution	420TVL
Minimum Illumination	0.5 LUX (0 Lux IR On)
S/N Ratio	48db (AGC Off)
Video Output	Composite 1.0Vp-p at 75Ohm
White Balance	Auto (AWB)
Gain Control	Auto (AGC)
Electronic Shutter	Auto (1/50 ~ 1/120000 Sec.)
Gamma Correction	0.45
Sync. System	Internal
IR LED	12 PSC
IR View Distance	10m
Lens	3.6mm
Power	DC 12V / 200mA
Operation Temperature	-10°C ~ 50°C
Dimension	76.5L x 60W x 53.5H mm
Net Weight	340g



20M CAMERA

I2-325CS
I2-370CS

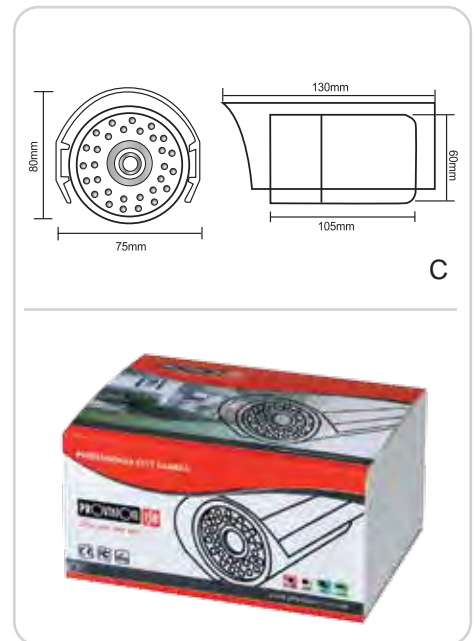


* Functionality is subject to camera model

- Day & Night Function
- Bracket Included
- I2-325CS
- 1/3 SONY CCD
- 420 TVL resolution
- Auto White Balance
- Visible IR Distance 20 M
- 3.6mm wide angle lens
- I2-370CS
- SONY EFFIO-E
- 1/3 CCD 650 TVL
- 2D Noise Reduction
- Waterproof capability
- Indoor & Outdoor Applications
- OSD Menu
- Motion Detection and Privacy Masking
- Color Rolling Control
- BLC/HLC/AGC
- ATR (Adaptive Tone Reproduction)

Specifications

MODEL	I2-370CS	I2-325CS
Image Sensor	1/3" Sony CCD (PAL:ICX639BK/NTSC:ICX638BK)	1/3" Sony CCD (PAL:ICX633BK/NTSC:ICX632BK)
DSP System	CXD4140	CXD3142
Effective Pixels	PAL:795(H)x596(V) NTSC:811(H)x508(V)	PAL:537(H)x597(V) NTSC:537(H)x505(V)
Scanning System	PAL/NTSC	
Horizontal Resolution	650TVL	420TVL
Min. Illumination	0.03 Lux / F1.0 (0 Lux IR On)	0.5 LUX (0 Lux IR On)
IR LED	24psc(20 M)	
OSD Menu	Available(7 languages)	Not Available
Backlight Compensation	BLC/HLC/OFF selectable	Not Available
Sync. System	Internal	Internal
S/N Ratio	≥48db (AGC Off)	48db (AGC Off)
White Balance	Atw/Push/User /Anti CR/Manual	Auto (AWB)
Gamma Correction	0.45	0.45
Gain Control	Yes	Auto (AGC)
Motion Detection	On/Off(4 Zone)	Not Available
Privacy Masking	On/Off(4 Zone)	Not Available
Mirror(H-REV)	On/Off	Not Available
SHARPNESS	On/Off (Level Adjustable)	Not Available
D/N Selection	Color/B/W/Auto	Not Available
ATR	On/Off	Not Available
Noise Reduce	2D-DNR	Not Available
Picture Adjustment	Yes	Not Available
Analog Output	Composite, BNC (1.0Vp-p.75hm)	
Lens	3.6/4/6mm	
Power	DC 12V / 330mA	
Dimension	130L x 75W x 80H mm	
Net Weight	430g	



25M CAMERA

I2-325CS(U)

I2-370CS(U)



* Functionality is subject to camera model

- Prestigious aluminum case
- Indoor & Outdoor Applications
- 1/3 SONY CCD
- 420 TVL resolution
- Auto White Balance
- Visible IR Distance 25 M
- Day & Night Function
- SONY EFFIO-E
- 1/3 CCD
- 2D Noise Reduction
- OSD Menu
- Motion Detection and Privacy Masking
- Color Rolling Control
- Waterproof capability
- Bracket Included
- BLC/HLC/AGC
- ATR (Adaptive Tone Reproduction)
- 650 TVL resolution

Specifications

MODEL	I2-370CS(U)	I2-325CS(U)
Image Sensor	1/3" Sony DS CCD (PAL:ICX673AK/NTSC:ICX672AK)	1/3" Sony CCD (PAL:ICX633BK/NTSC:ICX632BK)
DSP System	CXD4140	CXD3142
Effective Pixels	PAL:976(H)x582(V) NTSC:976(H)x494(V)	PAL:537(H)x597(V) NTSC:537(H)x505(V)
Scanning System	PAL/NTSC	
Horizontal Resolution	650TVL	420TVL
Min. Illumination	0.03 Lux / F1.0 (0 Lux IR On)	0.5 LUX (0 Lux IR On)
IR LED	36LED (25m)	
OSD Menu	Available(7 languages)	Not Available
Backlight Compensation	BLC/HLC/OFF selectable	Not Available
Sync. System	Internal	Internal
S/N Ratio	≥48db (AGC Off)	48db (AGC Off)
White Balance	Atw/Push/User /Anti CR/Manual	Auto (AWB)
Gamma Correction	0.45	0.45
Gain Control	Yes	Auto (AGC)
Motion Detection	On/Off(4 Zone)	Not Available
Privacy Masking	On/Off(4 Zone)	Not Available
Mirror(H-REV)	On/Off	Not Available
SHARPNESS	On/Off (Level Adjustable)	Not Available
D/N Selection	Color/B/W/Auto	Not Available
ATR	On/Off	Not Available
Noise Reduce	2D-DNR	Not Available
Picture Adjustment	Yes	Not Available
Analog Output	Composite, BNC (1.0Vp-p.75hm)	
Lens	4/6mm	
Power	DC 12V / 350mA	
Dimension	82W x 161Lx78H mm	
Net Weight	770G	



40M CAMERA

I4-325CS

I4-370CS



* Functionality is subject to camera model

- Prestigious aluminum case
 - Indoor & Outdoor Applications
 - Day & Night Function
 - Bracket Included
 - Waterproof capability
 - Visible IR Distance 40 M
- I4-325CS
- 1/3 SONY CCD
 - 420 TVL resolution
 - Auto White Balance
- I4-370CS
- SONY EFFIO-E
 - 1/3 CCD
 - 2D Noise Reduction
 - OSD Menu
 - Motion Detection and Privacy Masking
 - Color Rolling Control
 - BLC/HLC/AGC
 - ATR (Adaptive Tone Reproduction)
 - 650 TVL resolution

Specifications

MODEL	I4-370CS(L)	I4-325CS
Image Sensor	1/3" Sony DS CCD (PAL:ICX673AK/NTSC:ICX672AK)	1/3" Sony CCD (PAL:ICX633BK/NTSC:ICX632BK)
DSP System	CXD4140	CXD3142
Effective Pixels	PAL:976(H)x582(V) NTSC:976(H)x494(V)	PAL:537(H)x597(V) NTSC:537(H)x505(V)
Scanning System	PAL/NTSC	PAL/NTSC
Horizontal Resolution	650TVL	420TVL
Min. Illumination	0.03 Lux / F1.0 (0 Lux IR On)	0.5 LUX (0 Lux IR On)
IR LED	64 PSC (40m)	
OSD Menu	Available(7 languages)	Not Available
Backlight Compensator	BLC/HLC/OFF selectable	Not Available
Sync. System	Internal	Internal
S/N Ratio	≥48db (AGC Off)	48db (AGC Off)
White Balance	Atw/Push/User /Anti CR/Manual	Auto (AWB)
Gamma Correction	0.45	0.45
Gain Control	Yes	Auto (AGC)
Motion Detection	On/Off(4 Zone)	Not Available
Privacy Masking	On/Off(4 Zone)	Not Available
Mirror(H-REV)	On/Off	Not Available
SHARPNESS	On/Off (Level Adjustable)	Not Available
D/N Selection	Color/B/W/Autc	Not Available
ATR	On/Off	Not Available
Noise Reduce	2D-DNR	Not Available
Picture Adjustment	Yes	Not Available
Analog Output	Composite, BNC (1.0Vp-p.75m)	
Lens	6/8/12mm	
Power	DC 12V / 550mA	
Dimension	138L x 89W x 89H mrr	
Net Weight	970G	



30M VARI-FOCAL

I3-325CSVF
I3-370CSVF



Available with 2.8-12mm lens

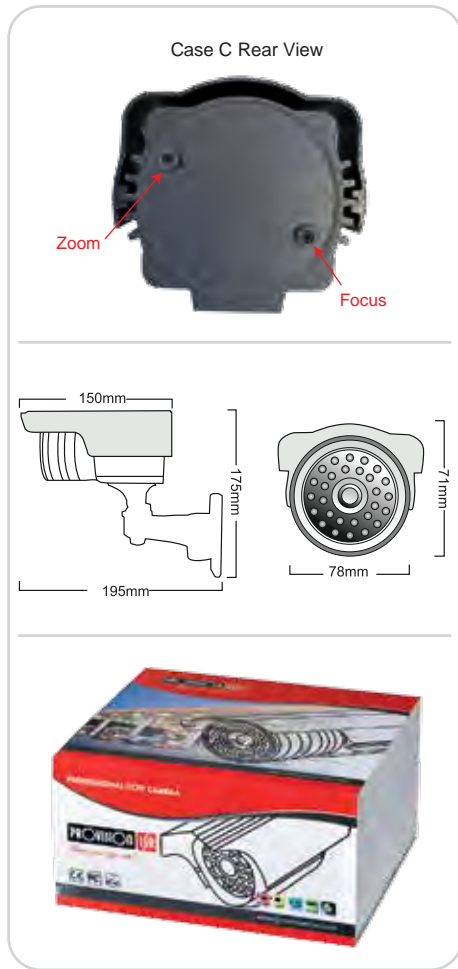


* Functionality is subject to camera model

- Prestigious aluminum case
- Indoor & Outdoor Applications
- I3-325CSVF
- 1/3 SONY CCD
- 420 TVL resolution
- Auto White Balance
- Day & Night Function
- Bracket Included
- I3-370CSVF
- SONY EFFIO-E
- 1/3 CCD 650 TVL
- 2D Noise Reduction
- Visible IR Distance 30 M
- Waterproof capability
- OSD Menu
- Motion Detection and Privacy Masking
- Color Rolling Control
- BLC/HLC/AGC
- ATR (Adaptive Tone Reproduction)

Specifications

MODEL	I3-370CSVF	I3-325CSVF
Image Sensor	1/3" Sony DS CCD (PAL:ICX673AK/NTSC:ICX672AK)	1/3" Sony CCD (PAL:ICX633BK/NTSC:ICX632BK)
DSP System	CXD4140	CXD3142
Effective Pixels	PAL:976(H)x582(V) NTSC:976(H)x494(V)	PAL:537(H)x597(V) NTSC:537(H)x505(V)
Scanning System	PAL/NTSC	PAL/NTSC
Horizontal Resolution	650TVL	420TVL
Min. Illumination	0.03 Lux / F1.0 (0 Lux IR On)	0.5 LUX (0 Lux IR On)
IR LED	36 PSC (30mt)	
OSD Menu	Available(7 languages)	Not Available
Backlight Compensation	BLC/HLC/OFF selectable	Not Available
Sync. System	Internal	Internal
S/N Ratio	≥48db (AGC Off)	48db (AGC Off)
White Balance	Atw/Push/User /Anti CR/Manual	Auto (AWB)
Gamma Correction	0.45	0.45
Gain Control	Yes	Auto (AGC)
Motion Detection	On/Off(4 Zone)	Not Available
Privacy Masking	On/Off(4 Zone)	Not Available
Mirror(H-REV)	On/Off	Not Available
SHARPNESS	On/Off (Level Adjustable)	Not Available
D/N Selection	Color/B/W/Autc	Not Available
ATR	On/Off	Not Available
Noise Reduce	2D-DNR	Not Available
Picture Adjustment	Yes	Not Available
Analog Output	Composite, BNC (1.0Vp-p.75hm)	
Lens	2.8-12 /4-9mm Vari-Focal	
Power	DC 12V / 430mA	
Dimension	195L x 78W x 175H mrr	
Net Weight	810G	



40M VARI-FOCAL

I4-325CSVF
I4-370CSVF



Available with 2.8-12mm lens



* Functionality is subject to camera model

- Vari-focal 2.8-12/ 4-9mm Lens
 - Visible IR Distance 40M
 - Waterproof, IP66
 - Indoor & Outdoor Application
 - Anti-cutting cable bracket
 - Friendly mechanism to adjust the lens
- | | | | |
|--|---|---|---|
| <p>I4-325CSVF</p> <ul style="list-style-type: none"> ■ 1/3 SONY CCD ■ 420 TVL ■ AWB- Auto White Balance | <p>I4-370CSVF</p> <ul style="list-style-type: none"> ■ SONY EFFIO-E ■ 1/3 CCD 650 TVL ■ 2D Noise Reduction | <ul style="list-style-type: none"> ■ OSD Menu ■ Motion Detection and Privacy Masking ■ Color Rolling Control | <ul style="list-style-type: none"> ■ BLC/HLC/AGC ■ ATR (Adaptive Tone Reproduction) |
|--|---|---|---|

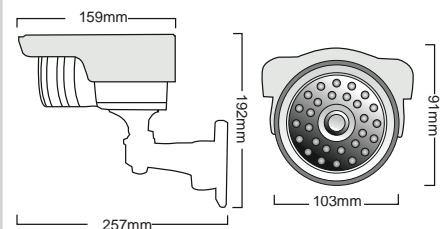
Specifications

MODEL	I4-370CSVF	I4-325CSVF
Image Sensor	1/3" Sony DS CCD (PAL:ICX673AK/NTSC:ICX672AK)	1/3" Sony CCD (PAL:ICX633BK/NTSC:ICX632BK)
DSP System	CXD4140	CXD3142
Effective Pixels	PAL:976(H)x582(V) NTSC:976(H)x494(V)	PAL:537(H)x597(V) NTSC:537(H)x505(V)
Scanning System	PAL/NTSC	PAL/NTSC
Horizontal Resolution	650TVL	420TVL
Min. Illumination	0.03 Lux / F1.0 (0 Lux IR On)	0.5 LUX (0 Lux IR On)
IR LED	76 PSC (40m)	
OSD Menu	Available(7 languages)	Not Available
Backlight Compensation	BLC/HLC/OFF selectable	Not Available
Sync. System	Internal	Internal
S/N Ratio	≥48db (AGC Off)	48db (AGC Off)
White Balance	Atw/Push/User/ Anti CR/Manual	Auto (AWB)
Gamma Correction	0.45	0.45
Gain Control	Yes	Auto (AGC)
Motion Detection	On/Off(4 Zone)	Not Available
Privacy Masking	On/Off(4 Zone)	Not Available
Mirror(H-REV)	On/Off	Not Available
SHARPNESS	On/Off (Level Adjustable)	Not Available
D/N Selection	Color/B/W/Auto	Not Available
ATR	On/Off	Not Available
Noise Reduce	2D-DNR	Not Available
Picture Adjustment	Yes	Not Available
Analog Output	Composite, BNC (1.0Vp-p.75hm)	
Lens	2.8-12 / 4-9mm Vari-Focal	
Power	DC 12V / 650mA	DC 12V / 640mA
Dimension	257L x 103W x 192H mm	
Net Weight	960G	

Case C Rear View



Vari-Focal Adjustment



ILLUMINATOR

I5-L

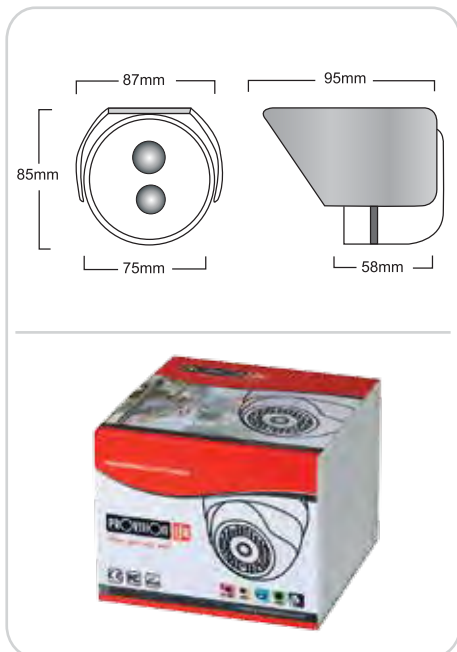


Illuminator Main Features:

- 2 Long Range Led Array Technology
- Input voltage DC 12V
- IR Range 50m
- Waterproof
- Indoor & Outdoor Applications

Specifications

MODEL	I5-L
IR Led	2 Super Long Range IR Lec
IR View Distance	50m
Power	DC12V/520mA
Operation Temperature	-10°C - 50°C
Dimension	95L x 87W x 85H mm
Net Weight	560g



CASES

I1

Type C

- 12 PCS Leds
- 10 mt IR View
- Lens options: 3.6mm



I2



Type RX

- 24 PCS Leds
- 20 m IR View
- Lens options: 4/6mm



Type C

- 28 PCS Leds
- 20 m IR View
- Lens options: 4/6mm



Type U

- 36 PCS Leds
- 25 m IR View
- Lens options: 4/6mm

I4

Type L

- 64 PCS Leds
- 40 m IR View
- Lens options: 6/8/12mm



Vari Focal

Type C

- 36 PCS Leds
- 30 m IR View
- 4-9/2.8-12mm Vari-Focal Lens



Type C

- 72 PCS Leds
- 40 m IR View
- 4-9/2.8-12mm Vari-Focal Lens



LED ARRAY CAMERA Series



Our new IR camera series using LED ARRAY technology - the latest Infra Red Technology and the most efficient one. The New LED ARRAY technology has many advantages compared with the traditional IR LED.

- Higher Brightness**
 Single LED ARRAY used in Provision-ISR cameras are equal to over 100 traditional Led's and insure brighter and clearer image than ever during night time.
- Longer illumination Distance**
 Due to the Led Array's outstanding illumination Power , using a single led can light objects in a distance of 50 Meter.
- Longer Life-time**
 While Normal Led life time is approximately 10,000 hours(3 years of work) the new LED ARRY can last 5 times longer.
- Lower Power consumption**
 Compared to the Traditional Led, the LED Array's power consumption is X3 time lower
- EX-Military**
 LED Array Technology was used before in Military applications, only recently due to prices decreasing it is now more often used in Normal civilian uses. Its "Military background" insures the technology resistance and reliability.

RX



U



LK



DIs



DIs-VF



P43 25M FIXED LENS

P44 30M FIXED LENS

P45 40M FIXED LENS

P46 40M VARI FOCAL

P47 DOME IR FIXED LENS

P48 DOME IR VARI FOCAL

LED ARRAY

25M FIXED LENS

I2s-320CS



25M Fixed Lens Main Features:

- For Day & Night conditions
- Visible distance at 0 Lux dark (IR On) 25m
- Waterproof
- Indoor & Outdoor Applications
- Prestigious Aluminum case
- 3 Axis Bracket

Specifications

MODEL	I2s-320CS
Image Sensor	1/3" Sony CCD (PAL:ICX633BK/NTSC:ICX632BK)
DSP System	CXD3142
Effective Pixels	PAL:537(H)×597(V) NTSC:537(H)×505(V)
Scanning System	PAL/NTSC
Horizontal Resolution	420TVL
Min. Illumination	0.5 LUX (0 Lux IR On)
OSD Menu	NC
Backlight Compensation	NC
Sync. System	Internal
S/N Ratio	48db (AGC Off)
White Balance	Auto (AWB)
Gamma Correction	0.45
Gain Control	Auto (AGC)
Video Output	composite, BNC(1.0Vp-p,75 hm)
Lens	3.6mm
Power	DC 12V / 480mA
Operation Temperature	-10°C ~ 50°C
Dimension	160L x 75W x 96H mm
Net Weight	340g



LED ARRAY

30M FIXED LENS

I3s-320CS

I3s-370CS



* Functionality is subject to camera model

- Prestigious aluminum case
 - Indoor & Outdoor Applications
 - Day & Night Function
 - Bracket Included
 - Visible IR Distance 30M
 - Waterproof capability
- I3s-320CS
- 1/3 SONY CCD
 - 420 TVL
 - AWB- Auto White Balance
- I3s-370CS
- SONY EFFIO-E
 - 1/3 CCD 650 TVL
 - 2D Noise Reduction
 - OSD Menu
 - Motion Detection and Privacy Masking
 - Color Rolling Control
 - BLC/HLC/AGC
 - ATR (Adaptive Tone Reproduction)

Specifications

MODEL	I3s-370CS	I3s-320CS
Image Sensor	1/3" Sony DS CCD (PAL:ICX673AK/NTSC:ICX672AK)	1/3" Sony CCD (PAL:ICX633BK/NTSC:ICX632BK)
DSP System	CXD4140	CXD3142
Effective Pixels	PAL:976(H)x582(V) NTSC:976(H)x494(V)	PAL:537(H)x597(V) NTSC:537(H)x505(V)
Scanning System	PAL/NTSC	
Horizontal Resolution	650TVL	420TVL
Min. Illumination	0.03 Lux / F1.0 (0 Lux IR ON)	0.05 Lux / F1.0 (0 Lux IR ON)
IR LED	Single LED ARRAY(40 M)	
OSD Menu	Available(7 languages)	Not Available
Backlight Compensation	BLC/HLC/OFF	Not Available
Sync. System	Internal	Internal
S/N Ratio	≥48db (AGC Off)	48db (AGC Off)
White Balance	Atw/Push/User Anti CR/Manual	Auto (AWB)
Gamma Correction	0.45	0.45
Gain Control	Yes	Auto (AGC)
Motion Detection	On/Off(4 Zone)	Not Available
Privacy Masking	On/Off(4 Zone)	Not Available
Mirror(H-REV)	On/Off	Not Available
SHARPNESS	On/Off (Level Adjustable)	Not Available
D/N Selection	Color/B/W/Autc	Not Available
ATR	On/Off	Not Available
Noise Reduce	2D-DNR	Not Available
Picture Adjustment	Yes	Not Available
Analog Output	Composite, BNC (1.0Vp-p.75hm)	
Lens	4/6mmr	
Power	DC 12V / 440mA	
Dimension	161L x 82W x 78H mm	
Net Weight	770g	



LED ARRAY

40M FIXED LENS

I4s-320CS

I4s-370CS



* Functionality is subject to camera model

- Prestigious aluminum case
- Indoor & Outdoor Applications
- 14s-320CS
 - 1/3 SONY CCD
 - 420 TVL Resolution
 - Auto White Balance
- 14s-370CS
 - SONY EFFIO-E
 - 1/3 CCD 650 TVL
 - 2D Noise Reduction
- Day & Night Function
- Bracket Included
- Visible IR Distance 40M
- Waterproof capability
- OSD Menu
- Motion Detection and Privacy Masking
- ATR (Adaptive Tone Reproduction)
- BLC/HLC/AGC
- Color Rolling Control

Specifications

MODEL	I4s-370CS	I4s-320CS
Image Sensor	1/3" Sony DS CCD (PAL:ICX673AK/NTSC:ICX672AK)	1/3" Sony CCD (PAL:ICX633BK/NTSC:ICX632BK)
DSP System	CXD4140	CXD3142
Effective Pixels	PAL:976(H)x582(V) NTSC:976(H)x494(V)	PAL:537(H)x597(V) NTSC:537(H)x505(V)
Scanning System	PAL/NTSC	
Horizontal Resolution	650TVL	420TVL
Min. Illumination	0.03 Lux / F1.0 (0 Lux IR ON)	0.05 Lux / F1.0 (0 Lux IR ON)
IR LED	Single LED ARRAY(40 M)	
OSD Menu	Available(7 languages)	Not Available
Backlight Compensation	BLC/HLC/OFF	Not Available
Sync. System	Internal	Internal
S/N Ratio	≥48db (AGC Off)	48db (AGC Off)
White Balance	Atw/Push/User Anti CR/Manual	Auto (AWB)
Gamma Correction	0.45	0.45
Gain Control	Yes	Auto (AGC)
Motion Detection	On/Off(4 Zone)	Not Available
Privacy Masking	On/Off(4 Zone)	Not Available
Mirror(H-REV)	On/Off	Not Available
SHARPNESS	On/Off (Level Adjustable)	Not Available
D/N Selection	Color/B/W/Auto	Not Available
ATR	On/Off	Not Available
Noise Reduce	2D-DNR	Not Available
Picture Adjustment	Yes	Not Available
Analog Output	Composite, BNC (1.0Vp-p.75hm)	
Lens	CS mount, 8/12/16mm	
Power	DC 12V / 440mA	
Dimension	138 L x 89W x 89H mm	
Net Weight	970g	



LED ARRAY

40M VARI-FOCAL

I4s-320CSVF

I4s-370CSVF



* Functionality is subject to camera model

- Vari-focal 4-9mm Lens
- Anti-cutting cable bracket
- Visible IR Distance 40 M
- Friendly mechanism to adjust the lens
- Indoor & Outdoor Application
- Waterproof, IP66

I4s-320CSVF

- 1/3 SONY CCD
- 420 TVL Resolution
- Auto White Balance

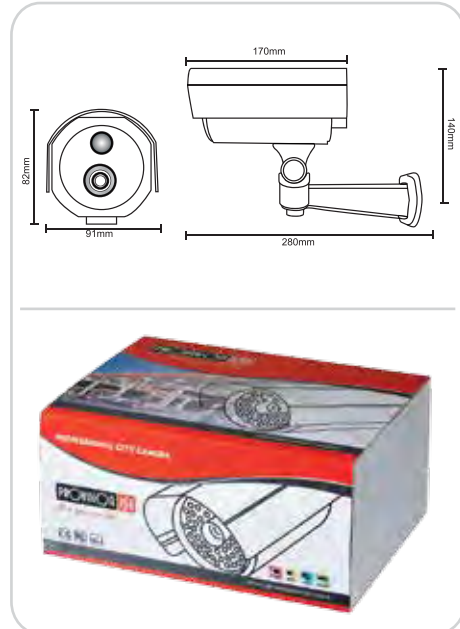
I4s-370CSVF

- SONY EFFIO-E
- 1/3 CCD 650 TVL
- 2D Noise Reduction
- OSD Menu
- Motion Detection and Privacy Masking
- ATR (Adaptive Tone Reproduction)

- BLC/HLC/AGC
- Color Rolling Control

Specifications

MODEL	I4s-370CSVF	I4s-320CSVF
Image Sensor	1/3" Sony DS CCD (PAL:ICX673AK/NTSC:ICX672AK)	1/3" Sony CCD (PAL:ICX633BK/NTSC:ICX632BK)
DSP System	CXD4140	CXD3142
Effective Pixels	PAL:976(H)x582(V) NTSC:976(H)x494(V)	PAL:537(H)x597(V) NTSC:537(H)x505(V)
Scanning System	PAL/NTSC	
Horizontal Resolution	650TVL	420TVL
Min. Illumination	0.03 Lux / F1.0 (0 Lux IR ON)	0.05 Lux / F1.0 (0 Lux IR ON)
IR LED	Single LED ARRAY(40 M)	
OSD Menu	Available(7 languages)	Not Available
Backlight Compensation	BLC/HLC/OFF	Not Available
Sync. System	Internal	Internal
S/N Ratio	≥48db (AGC Off)	48db (AGC Off)
White Balance	Atw/Push/User Anti CR/Manual	Auto (AWB)
Gamma Correction	0.45	0.45
Gain Control	Yes	Auto (AGC)
Motion Detection	On/Off(4 Zone)	Not Available
Privacy Masking	On/Off(4 Zone)	Not Available
Mirror(H-REV)	On/Off	Not Available
SHARPNESS	On/Off (Level Adjustable)	Not Available
D/N Selection	Color/B/W/Auto	Not Available
ATR	On/Off	Not Available
Noise Reduce	2D-DNR	Not Available
Picture Adjustment	Yes	Not Available
Analog Output	Composite, BNC (1.0Vp-p.75hm)	
Lens	vari-focal 4-9mm	
Power	DC 12V / 480mA	
Dimension	138 L x 89W x 89H mm	
Net Weight	770g	



LED ARRAY

DOME IR FIXED LENS

DIs-320CS

DIs-370CS



* Functionality is subject to camera model

- Elegant Metal case
- For Day & Night Conditions
- Visible IR Distance 25 M
- 3.6mm wide-angle lens

DIs-320CS

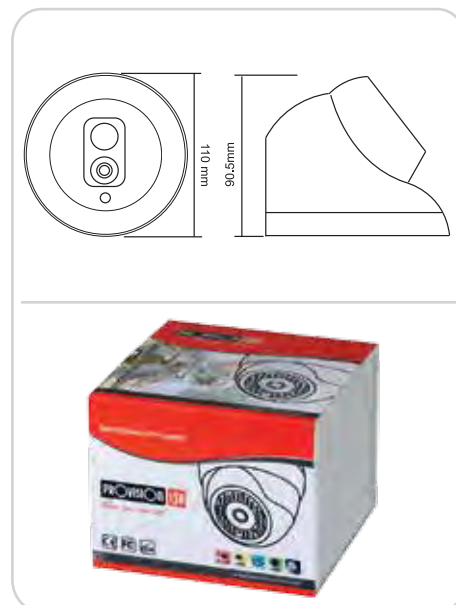
- 1/3 SONY CCD
- 420 TVL
- AWB- Auto White Balance

DIs-370CS

- SONY EFFIO-E
- 1/3 CCD 650 TVL
- 2D Noise Reduction
- OSD Menu
- Motion Detection and Privacy Masking
- ATR (Adaptive Tone Reproduction)
- BLC/HLC/AGC
- Color Rolling Control

Specifications

MODEL	DIs-370CS	DIs-320CS
Image Sensor	1/3" Sony DS CCD (PAL:ICX673AK/NTSC:ICX672AK)	1/3" Sony CCD (PAL:ICX633BK/NTSC:ICX632BK)
DSP System	CXD4140	CXD3142
Effective Pixels	PAL:976(H)x582(V) NTSC:976(H)x494(V)	PAL:537(H)x597(V) NTSC:537(H)x505(V)
Scanning System	PAL/NTSC	
Horizontal Resolution	650TVL	420TVL
Min. Illumination	0.03 Lux / F1.0 (0 Lux IR ON)	0.05 Lux / F1.0 (0 Lux IR ON)
IR LED	Single LED ARRAY(25 M)	
OSD Menu	Available(7 languages)	Not Available
Backlight Compensation	BLC/HLC/OFF	Not Available
Sync. System	Internal	Internal
S/N Ratio	≥48db (AGC Off)	48db (AGC Off)
White Balance	Atw/Push/User Anti CR/Manual	Auto (AWB)
Gamma Correction	0.45	0.45
Gain Control	Yes	Auto (AGC)
Motion Detection	On/Off(4 Zone)	Not Available
Privacy Masking	On/Off(4 Zone)	Not Available
Mirror(H-REV)	On/Off	Not Available
SHARPNESS	On/Off (Level Adjustable)	Not Available
D/N Selection	Color/B/W/Auto	Not Available
ATR	On/Off	Not Available
Noise Reduce	2D-DNR	Not Available
Picture Adjustment	Yes	Not Available
Analog Output	Composite, BNC (1.0Vp-p.75hm)	
Lens	3.6mm wide-angle lens	
Power	DC 12V ,430MA.	
Dimension	120L x120Wx 95H mm	
Net Weight	580g	



LED ARRAY

DOME IR VARI-FOCAL

DI-320CSVF

DI-370CSVF



* Functionality is subject to camera model

- Vari Focal 4-9mm lens
- Elegant metal case
- For Day & Night Conditions

DI-325CSVF

- 1/3 SONY CCD
- 420 TVL
- AWB- Auto White Balance

DI-370CSVF

- SONY EFFIO-E
- 1/3 CCD 650 TVL
- 2D Noise Reduction

- OSD Menu
- Motion Detection and Privacy Masking
- ATR (Adaptive Tone Reproduction)

- BLC/HLC/AGC
- Color Rolling Control

Specifications

MODEL	DI-370CSVF	DI-320CSVF
Image Sensor	1/3" Sony DS CCD (PAL:ICX673AK/NTSC:ICX672AK)	1/3" Sony CCD (PAL:ICX633BK/NTSC:ICX632BK)
DSP System	CXD4140	CXD3142
Effective Pixels	PAL:976(H)x582(V) NTSC:976(H)x494(V)	PAL:537(H)x597(V) NTSC:537(H)x505(V)
Scanning System	PAL/NTSC	
Horizontal Resolution	650TVL	420TVL
Min. Illumination	0.03 Lux / F1.0 (0 Lux IR ON)	0.05 Lux / F1.0 (0 Lux IR ON)
IR LED	Single LED ARRAY(40 M)	
OSD Menu	Available(7 languages)	Not Available
Backlight Compensation	BLC/HLC/OFF	Not Available
Sync. System	Internal	Internal
S/N Ratio	≥48db (AGC Off)	48db (AGC Off)
White Balance	Atw/Push/User Anti CR/Manual	Auto (AWB)
Gamma Correction	0.45	0.45
Gain Control	Yes	Auto (AGC)
Motion Detection	On/Off(4 Zone)	Not Available
Privacy Masking	On/Off(4 Zone)	Not Available
Mirror(H-REV)	On/Off	Not Available
SHARPNESS	On/Off (Level Adjustable)	Not Available
D/N Selection	Color/B/W/Auto	Not Available
ATR	On/Off	Not Available
Noise Reduce	2D-DNR	Not Available
Picture Adjustment	Yes	Not Available
Analog Output	Composite, BNC (1.0Vp-p.75hm)	
Lens	vari-focal 4-9mm	
Power	DC 12V ,650MA.	
Dimension	142L x 142W x 115H mm	
Net Weight	980g	



AUTO-SYNC FOCUS CAMERA

Series



In Today's world where "Time is money". Many times installation cost is higher than the hardware cost. Therefore we face an increasing demand for a "time saver" and a "easy installation" CCTV product.

"Auto-Sync focus" cameras are the new generation of vari-focal cameras.

"Auto-Sync focus" cameras designed in order to make the camera installation simpler than ever, no any more long adjustment of the lens zoom and focus!

This camera uses an advanced "Auto-Sync focus lens" which allows you to adjust the camera scene of view in seconds. Easily choose the desirable zoom position and the optimal focus is all ready done automatically...

The lens zoom control can be adjusted locally from the "camera's cable" or by our "OSD controller" and even remotely from the DVR by RS-485 control.

I3-360CSAS



I4-360CSAS



DI-360CSAS



P51 DOME IR CAMERA

P52 25M IR CAMERA

P53 40M IR CAMERA

Auto-Sync. Focus

Easiest installation ever...



Our latest Auto-Sync Focus camera series designed to deliver excellent performance and image quality with outstanding friendly installation.

Auto-Sync Focus Cameras Main Features:

- 650 TVL resolution
- OSD control
- RS-485 control
- HLC-Headlights compensation
- 2D-DNR(Digital Noise Reduction)
- Privacy masking
- Motion detection
- ATR (Adaptive Tone Reproduction)
- Auto -Sync focus lens

• Auto-Sync lens

Unlike traditional vari-focal Cameras which requires manual adjustment of both the Zoom and Focus of the lens, Provision-ISR new Auto-Sync vari-focal cameras requires only the adjustment of the zoom using the camera's on-cable control or RS485 while the mechanism matches the focus for sharpest view without extra touch.

Remotely(by RS-485): OSD +Lens Control



- RS-485
- PTZ controller.



- DVR
- Provision-ISR 9 keys controller

Locally: OSD +Lens Control



- From the camera cable OSD

Conventional CCD



- **Excellent color reproduction**
- Color chart under yellow light.

Sony Effio-E



Conventional CCD



Low Lux

Sony Effio - E can produce image down to 0.01 lox (B/W f.1.0)

Sony Effio-E



Conventional CCD



- **Color rolling control**



- **Advanced Motion detection**



- **Privacy masking**

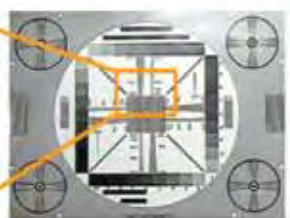
Sony Effio-E



- **Color rolling control**



- **650TVL**



DOME IR CAMERA

DI-360CSAS



Dome IR Cameras Main Features:

- 4-9mm Auto sync. lens
- Day & night function, 25m IR Distance
- 650TVL resolution
- 2D-DNR
- ATR (Adaptive Tone Reproduction)
- OSD control
- RS-485 for OSD and lens control

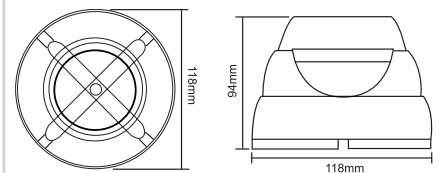
Specifications

MODEL	DI-360CSAS
Image Sensor	1/3" Sony CCD (PAL:ICX811 AK/NTSC:ICX810 AK)
DSP System	CXD4127
Effective Pixels	PAL:976(H)x582(V) NTSC:976(H)x494(V)
Scanning System	PAL/NTSC
Horizontal Resolution	650TVL
Min. Illumination	0.03 Lux / F1.0 (0 Lux IR ON)
IR LED	36PCS 25 M
OSD Menu	Available(7 languages)
Backlight Compensation	BLC/HLC/OFF
Sync. System	Internal
S/N Ratio	≥48db (AGC Off)
White Balance	Atw/Push/User Anti CR/Manual
Gamma Correction	0.45
Gain Control	Yes
Motion Detection	On/Off (4 Zone)
Privacy Masking	On/Off (4 Zone)
Mirror(H-REV)	On/Off
SHARPNESS	On/Off (Level Adjustable)
D/N Selection	Color/B/W/Auto
ATR	On/Off
Noise Reduce	2D-DNR
Picture Adjustment	Yes
Analog Output	Composite, BNC (1.0Vp-p.75hm)
Lens	4-9mm Auto sync. lens
Power	DC12V 400mA
Dimension	∅118 x 94(H) mm
Net Weight	730g

OSD and Zoom Control



Cable Remote



25M IR CAMERA

I3-360CSAS



25M IR Cameras Main Features:

- 2D-DNR
- Digital WDR
- OSD control
- RS-485 for OSD and lens control
- 2D-DNR
- ATR (Adaptive Tone Reproduction)
- OSD control
- 4~9mm Auto sync. lens

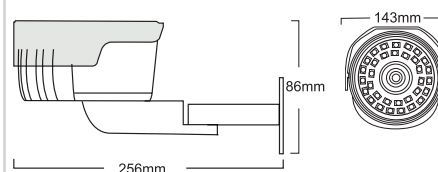
Specifications

MODEL	I3-360CSAS
Image Sensor	1/3" Sony CCD (PAL:ICX811 AK/NTSC:ICX810 AK)
DSP System	CXD4127
Effective Pixels	PAL:976(H)x582(V) NTSC:976(H)x494(V)
Scanning System	PAL/NTSC
Horizontal Resolution	650TVL
Min. Illumination	0.03 Lux / F1.0 (0 Lux IR ON)
IR LED	36PCS 25 M
OSD Menu	Available(7 languages)
Backlight Compensation	BLC/HLC/OFF
Sync. System	Internal
S/N Ratio	≥48db (AGC Off)
White Balance	Atw/Push/User Anti CR/Manual
Gamma Correction	0.45
Gain Control	Yes
Motion Detection	On/Off(4 Zone)
Privacy Masking	On/Off(4 Zone)
Mirror(H-REV)	On/Off
SHARPNESS	On/Off (Level Adjustable)
D/N Selection	Color/B/W/Auto
ATR	On/Off
Noise Reduce	2D-DNR
Picture Adjustment	Yes
Analog Output	Composite, BNC (1.0Vp-p.75hm)
Lens	4~9mm Auto sync. lens
Power	DC12V 400mA
Dimension	256Lx143Wx86H mm
Net Weight	820g

OSD and Zoom Control



Cable Remote



40M IR CAMERA

I4-360CSAS



40M IR Cameras Main Features:

- 4-9mm Auto sync. lens
- 3 Axis Bracket
- Day & night function, 40m IR Distance
- 650TVL resolution
- 2D-DNR
- ATR (Adaptive Tone Reproduction)
- OSD control
- RS-485 for OSD and lens control

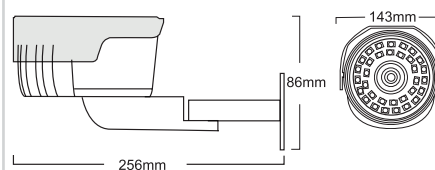
Specifications

MODEL	I4-360CSAS
Image Sensor	1/3" Sony CCD (PAL:ICX811 AK/NTSC:ICX810 AK)
DSP System	CXD4127
Effective Pixels	PAL:976(H)x582(V) NTSC:976(H)x494(V)
Scanning System	PAL/NTSC
Horizontal Resolution	650TVL
Min. Illumination	0.03 Lux / F1.0 (0 Lux IR ON)
IR LED	36PCS 40 M
OSD Menu	Available(7 languages)
Backlight Compensation	BLC/HLC/OFF
Sync. System	Internal
S/N Ratio	≥48db (AGC Off)
White Balance	Atw/Push/User Anti CR/Manual
Gamma Correction	0.45
Gain Control	Yes
Motion Detection	On/Off(4 Zone)
Privacy Masking	On/Off(4 Zone)
Mirror(H-REV)	On/Off
SHARPNESS	On/Off (Level Adjustable)
D/N Selection	Color/B/W/Auto
ATR	On/Off
Noise Reduce	2D-DNR
Picture Adjustment	Yes
Analog Output	Composite, BNC (1.0Vp-p.75hm)
Lens	4-9mm Auto sync. lens
Power	DC12V 400mA
Dimension	259(W)x159(H)x104(D)mm
Net Weight	820g

OSD and Zoom Control



Cable Remote



HIDDEN CAMERA

Series



Hidden cameras are compact in size and used for covert monitoring. They allow us to record, monitor and control the environment while going unnoticed. They are usually installed in public places like department stores, theatres, clubs, etc, or on the private sector for home use-babysitter, house keeper etc.

It can come in different shapes -PIR detector, SMOKE detector, MIRROR, and much more...

Provision-ISR Hidden cameras are designed in a way that it will be compact and easy to be integrated with standard home/office environments without attracting attention, but at the same time delivering a superior video quality.

MC



MP



IV



MN



MF



DL



DM



P55

MINI CAMERA

P56

SNAKE CAMERA

P57

BULLET CAMERA

P58

PIR CAMERA

P59

INFRA RED PIR CAMERA

P60

MIRROR CAMERA

P61

SPOT LIGHT CAMERA

P62

SMOKE DETECTOR CAMERA

P63

NET WORK SOCKET CAMERA

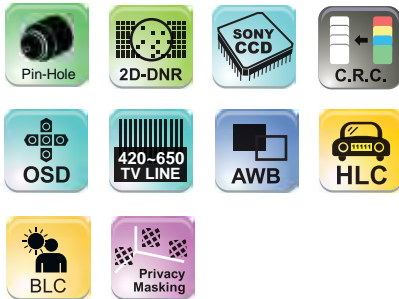
P64

SPRINKLER CAMERA

MINI CAMERA

MC-322CS

MC-372CS

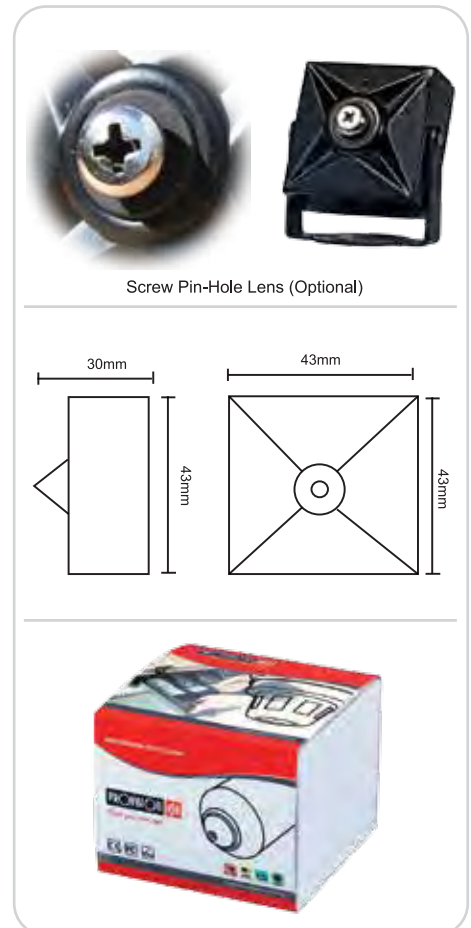


* Functionality is subject to camera model

- Miniature Hidden camera
 - Built-in Pin-Hole Lens
 - Compact size and beautiful design
 - Auto White Balance
- | | | | |
|---|---|---|---|
| <p>MC-322CS</p> <ul style="list-style-type: none"> ■ 1/3 SONY CCD ■ 420 TVL ■ Auto White Balance | <p>MC-372CS</p> <ul style="list-style-type: none"> ■ SONY EFFIO-E ■ 1/3 CCD 650 TVL ■ 2D Noise Reduction | <ul style="list-style-type: none"> ■ OSD Menu ■ Motion Detection and Privacy Masking ■ Color Rolling Control | <ul style="list-style-type: none"> ■ BLC/HLC/AGC ■ ATR (Adaptive Tone Reproduction) |
|---|---|---|---|

Specifications

MODEL	MC-322CS	MC-372CS
Image Sensor	1/3" Sony DS CCD (PAL:ICX673AK/NTSC:ICX672AK)	1/3" Sony CCD (PAL:ICX633BK/NTSC:ICX632BK)
DSP System	CXD4140	CXD3142
Effective Pixels	PAL:976(H)x582(V) NTSC:976(H)x494(V)	PAL:537(H)x597(V) NTSC:537(H)x505(V)
Scanning System	PAL/NTSC	
Horizontal Resolution	650TVL	420TVL
Min. Illumination	0.03 Lux / F1.0	0.05 LUX
OSD Menu	Available(7 languages)	Not Available
Backlight Compensation	BLC/HLC/OFF	Not Available
Sync. System	Internal	Internal
S/N Ratio	≥48db (AGC Off)	48db (AGC Off)
White Balance	Atw/Push/User Anti CR/Manual	Auto (AWB)
Gamma Correction	0.45	0.45
Gain Control	Yes	Auto (AGC)
Motion Detection	On/Off(4 Zone)	Not Available
Privacy Masking	On/Off(4 Zone)	Not Available
Mirror(H-REV)	On/Off	Not Available
SHARPNESS	On/Off (Level Adjustable)	Not Available
D/N Selection	Color/B/W/Auto	Not Available
ATR	On/Off	Not Available
Noise Reduce	2D-DNR	Not Available
Picture Adjustment	Yes	Not Available
Analog Output	Composite, BNC (1.0Vp-p.75hm)	
Lens	2.8/3.7mm Pinhole lens /6mm Screw Lens	
Power	DC12V/180mA	
Dimension	43L x 30W x 43H mm	
Net Weight	90g	



SNAKE CAMERA

MW-325CS
MW-425CS



Snake Cameras Main Features:

- Miniature Hidden Camera
- Allows to Perform Detailed Visual Inspection in Hard to Reach Areas.
- Look Around Corners & Under Doors
- Audio

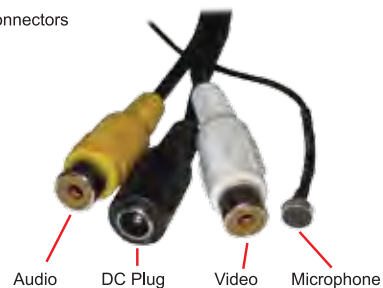
Specifications

MODEL	MW-325CS	MW-425CS
Image Sensor	1/3" Sony CCD (PAL:ICX633BK/NTSC:ICX632BK)	1/4" Sony CCD (PAL:ICX643BK/NTSC:ICX642BK)
DSP System	CXD3142	
TV System	PAL/NTSC	
Effective Pixels	PAL:500 (H) x 582 (V) NTSC:510 (H) x 492 (V)	
Horizontal Resolution	420TVL	
Minimum Illumination	0.01 LUX/F1.2	0.5 LUX/F1.2
S/N Ratio	48db (AGC Off)	
Video Output	Composite, BNC (1.0Vp.p 75 hm)	
White Balance	Auto (AWB)	
Electronic Shutter	Auto (1/50 - 1/120000 Sec.)	
Gamma Correction	0.45	
Sync. System	Internal	
Gain Control	Auto (AGC)	
Lens	3.7mm pin-hole lens	
Power	DC12V/100mA	
Operation Temperature	-10°C - 50°C	
Dimension	15 x 15 mm	12 x 12 mm
Net Weight	70g	

Lens Type



Connectors



BULLET CAMERA

MP-325CS(PH)

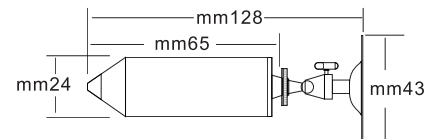


Bullet Cameras Main Features:

- 1/3" SONY CCD
- Built-in Pin Hole Lens
- Compact size and beautiful design
- Auto White Balance
- Easy installation

Specifications

MODEL	MP-325CS(PH)
Image Sensor	1/3" Sony CCD (PAL:ICX633BK/NTSC:ICX632BAK)
DSP System	CXD3142
TV System	PAL/NTSC
Effective Pixels	PAL:537(H)×597(V) / NTSC:537(H)×505(V)
Horizontal Resolution	420TVL
Minimum Illumination	0.5 LUX/F1.2
S/N Ratio	48db (AGC Off)
Video Output	Composite, BNC (1.0Vp.p 75 hm)
White Balance	Auto (AWB)
Electronic Shutter	Auto (1/50 ~ 1/120000 Sec.)
Gamma Correction	0.45
Sync. System	Internal
Gain Control	Auto (AGC)
Lens	3.7mm Pin-Hole
Power	DC12V/180mA
Operation Temperature	-10°C ~ 50°C
Dimension	100L x 42W x 23H mm
Net Weight	140g



PIR CAMERA

MV-322CS
MV-372CS



* Functionality is subject to camera model

- Miniature Hidden camera
- Built-in Pin-Hole Lens
- Compact size and beautiful design
- Auto White Balance

MV-322CS

- 1/3 SONY CCD
- 420 TVL
- Auto White Balance

MV-372CS

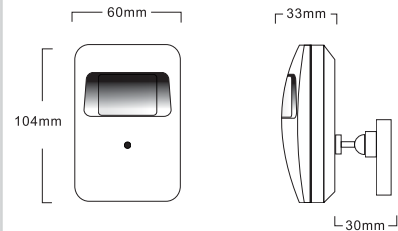
- SONY EFFIO-E
- 1/3 CCD 650 TVL
- 2D Noise Reduction
- OSD Menu
- Motion Detection and Privacy Masking
- Color Rolling Control
- BLC/HLC/AGC
- ATR (Adaptive Tone Reproduction)

Specifications

MODEL	MV-372CS	MV-322CS
Image Sensor	1/3" Sony DS CCD (PAL:ICX673AK/NTSC:ICX672AK)	1/3" Sony CCD (PAL:ICX633BK/NTSC:ICX632BK)
DSP System	CXD4140	CXD3142
Effective Pixels	PAL:976(H)x582(V) NTSC:976(H)x494(V)	PAL:537(H)x597(V) NTSC:537(H)x505(V)
Scanning System	PAL/NTSC	
Horizontal Resolution	650TVL	420TVL
Min. Illumination	0.03 Lux / F1.0	0.05 LUX
OSD Menu	Available(7 languages)	Not Available
Backlight Compensation	BLC/HLC/OFF	Not Available
Sync. System	Internal	Internal
S/N Ratio	≥48db (AGC Off)	48db (AGC Off)
White Balance	Atw/Push/User Anti CR/Manual	Auto (AWB)
Gamma Correction	0.45	0.45
Gain Control	Yes	Auto (AGC)
Motion Detection	On/Off(4 Zone)	Not Available
Privacy Masking	On/Off(4 Zone)	Not Available
Mirror(H-REV)	On/Off	Not Available
SHARPNESS	On/Off (Level Adjustable)	Not Available
D/N Selection	Color/B/W/Auto	Not Available
ATR	On/Off	Not Available
Noise Reduce	2D-DNR	Not Available
Picture Adjustment	Yes	Not Available
Analog Output	Composite, BNC (1.0Vp-p.75hm)	
Lens	3.7mm Pinhole lens	
Power	DC12V/180mA	
Dimension	33L x 60W x 104H mm	
Net Weight	110g	



Blinking Red Led for Authentic look



HIDDEN

INFRA RED PIR CAMERA

IV-322CS

IV-370CS



* Functionality is subject to camera model

- Miniature Hidden camera
- Built-in Pin-Hole Lens
- Compact size and beautiful design
- Auto White Balance
- For Day & Night Conditions

IV-322CS

- 1/3 SONY CCD
- 420 TVL
- Auto White Balance

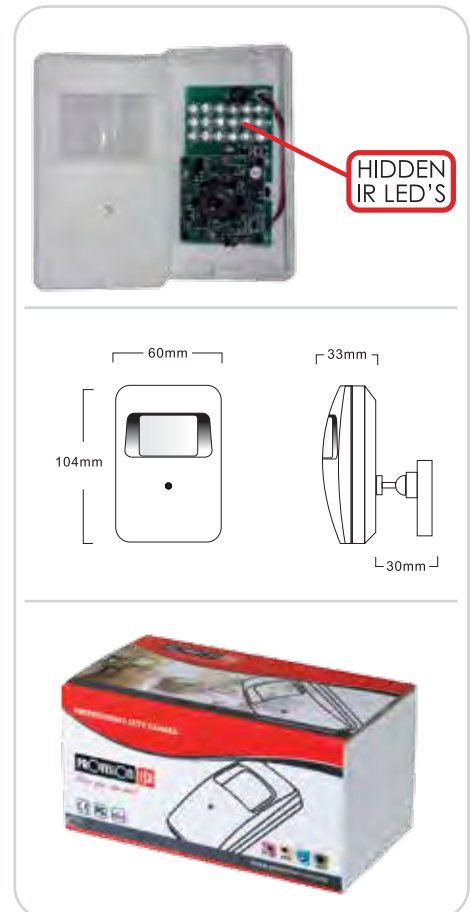
IV-370CS

- SONY EFFIO-E
- 1/3 CCD 650 TVL
- 2D Noise Reduction
- OSD Menu
- Motion Detection and Privacy Masking
- Color Rolling Control

- BLC/HLC/AGC
- ATR (Adaptive Tone Reproduction)

Specifications

MODEL	IV-370CS	IV-322CS
Image Sensor	1/3" Sony DS CCD (PAL:ICX673AK/NTSC:ICX672AK)	1/3" Sony CCD (PAL:ICX633BK/NTSC:ICX632BK)
DSP System	CXD4140	CXD3142
Effective Pixels	PAL:976(H)x582(V) NTSC:976(H)x494(V)	PAL:537(H)x597(V) NTSC:537(H)x505(V)
Scanning System	PAL/NTSC	
Horizontal Resolution	650TVL	420TVL
Min. Illumination	0.03 Lux / F1.0 (0 Lux IR ON)	0.05 Lux / F1.0 (0 Lux IR ON)
IR LED	18pcs(10M)	
OSD Menu	Available(7 languages)	Not Available
Backlight Compensation	BLC/HLC/OFF	Not Available
Sync. System	Internal	Internal
S/N Ratio	≥48db (AGC Off)	48db (AGC Off)
White Balance	Atw/Push/User Anti CR/Manual	Auto (AWB)
Gamma Correction	0.45	0.45
Gain Control	Yes	Auto (AGC)
Motion Detection	On/Off(4 Zone)	Not Available
Privacy Masking	On/Off(4 Zone)	Not Available
Mirror(H-REV)	On/Off	Not Available
SHARPNESS	On/Off (Level Adjustable)	Not Available
D/N Selection	Color/B/W/Autoc	Not Available
ATR	On/Off	Not Available
Noise Reduce	2D-DNR	Not Available
Picture Adjustment	Yes	Not Available
Analog Output	Composite, BNC (1.0Vp-p.75mm)	
Lens	3.7mm Pinhole lens	
Power	DC12V/150mA	
Dimension	108W x 82H	
Net Weight	170g	



MIRROR CAMERA

DM-325CS

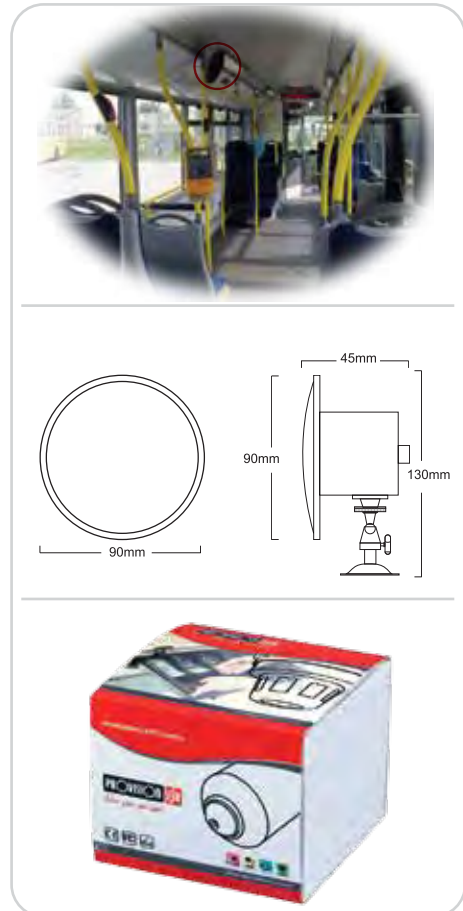


Mirror Cameras Main Features:

- Mirror type outlook with camera embedded
- Adjustable view angle
- Front Cover Made from Unique design Glass Which Conceal the Camera

Specifications

MODEL	DM-325CS
Image Sensor	1/3" Sony CCD (PAL:ICX633BK/NTSC:ICX632BAK)
DSP System	CXD3142
TV System	PAL/NTSC
Effective Pixels	PAL:537(H)×597(V) / NTSC:537(H)×505(V)
Horizontal Resolution	420TVL
Minimum Illumination	0.5 LUX/F1.2
S/N Ratio	48db (AGC Off)
Video Output	Composite, BNC (1.0Vp.p 75 hm)
White Balance	Auto (AWB)
Electronic Shutter	Auto (1/50 - 1/120000 Sec.)
Gamma Correction	0.45
Sync. System	Internal
Gain Control	Auto (AGC)
Lens	3.6mm Board Lens
Power	DC12V/100mA
Operation Temperature	-10°C ~ 50°C
Dimension	90L x 45W x 130H mm
Net Weight	290g



HIDDEN

SPOT LIGHT CAMERA

DL-325CS
DL-355CS

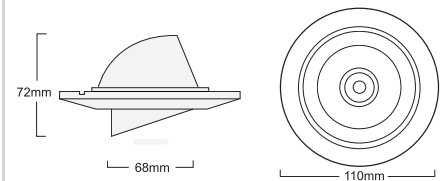


Spot Light Cameras Main Features:

- SONY CCD
- Spot Light Style Camera
- Elegant and Compact design
- Robust metal Armor Housing Aluminum ring
- Day & Night Function
- 12 IR Leds, Visible distance at 0 Lux dark (IR On) 10m
- Auto White Balance

Specifications

MODEL	DL-355CS	DL-325CS
Image Sensor	1/3" Sony CCD (PAL:ICX639BK/NTSC:ICX638BK)	1/3" Sony CCD (PAL:ICX633BK/NTSC:ICX632BK)
DSP System	CXD3172	CXD3142
TV System	PAL/NTSC	
Effective Pixels	PAL:795(H)x596(V) NTSC:811(H)x508(V)	PAL:537(H)x597(V) NTSC:537(H)x505(V)
Horizontal Resolution	540TVL	420TVL
Minimum Illumination	0.5 LUX/F1.2	
S/N Ratio	48db (AGC Off)	
Video Output	Composite, BNC (1.0Vp.p 75 hm)	
White Balance	Auto (AWB)	
Electronic Shutter	Auto (1/50 - 1/120000 Sec.)	
Gamma Correction	0.45	
Sync. System	Internal	
Gain Control	Auto (AGC)	
IR LED	12 PSC	
IR View Distance	10m	
Lens	3.6mm Board Lens	
Power	DC12V/180mA	
Operation Temperature	-10°C ~ 50°C	
Dimension	110L x 72H mm	
Net Weight	330g	

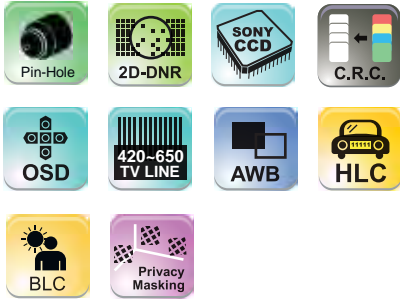


HIDDEN

SMOKE DETECTOR CAMERA

DS-325CS

DS-372CS

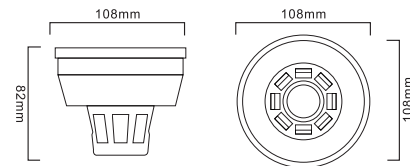
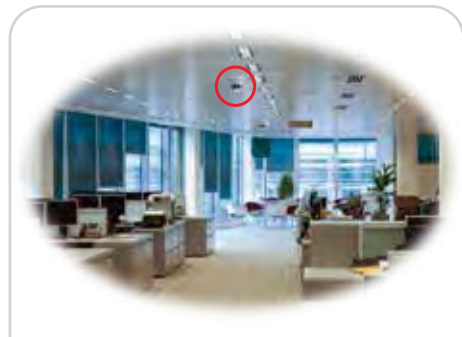


* Functionality is subject to camera model

- Miniature Hidden camera
 - Smoke Detector style Camera
 - Built-in Pin-Hole Lens
 - Compact size and beautiful design
 - Auto White Balance
- DS-325CS
- 1/3 SONY CCD
 - 420 TVL
 - Auto White Balance
- DS-370CS
- SONY EFFIO-E
 - 1/3 CCD 650 TVL
 - 2D Noise Reduction
 - OSD Menu
 - Motion Detection and Privacy Masking
 - Color Rolling Control
 - BLC/HLC/AGC
 - ATR (Adaptive Tone Reproduction)

Specifications

MODEL	DS-372CS	DS-325CS
Image Sensor	1/3" Sony DS CCD (PAL:ICX673AK/NTSC:ICX672AK)	1/3" Sony CCD (PAL:ICX633BK/NTSC:ICX632BK)
DSP System	CXD4140	CXD3142
Effective Pixels	PAL:976(H)x582(V) NTSC:976(H)x494(V)	PAL:537(H)x597(V) NTSC:537(H)x505(V)
Scanning System	PAL/NTSC	
Horizontal Resolution	650TVL	420TVL
Min. Illumination	0.03 Lux / F1.0	0.05 LUX
OSD Menu	Available(7 languages)	Not Available
Backlight Compensation	BLC/HLC/OFF	Not Available
Sync. System	Internal	Internal
S/N Ratio	≥48db (AGC Off)	48db (AGC Off)
White Balance	Atw/Push/User Anti CR/Manual	Auto (AWB)
Gamma Correction	0.45	0.45
Gain Control	Yes	Auto (AGC)
Motion Detection	On/Off(4 Zone)	Not Available
Privacy Masking	On/Off(4 Zone)	Not Available
Mirror(H-REV)	On/Off	Not Available
SHARPNESS	On/Off (Level Adjustable)	Not Available
D/N Selection	Color/B/W/Auto	Not Available
ATR	On/Off	Not Available
Noise Reduce	2D-DNR	Not Available
Picture Adjustment	Yes	Not Available
Analog Output	Composite, BNC (1.0Vp-p.75hm)	
Lens	3.7mm Pinhole lens	
Power	DC12V/150mA	
Dimension	108W x 82H	
Net Weight	170g	



NETWORK SOCKET CAMERA

MN-322CS

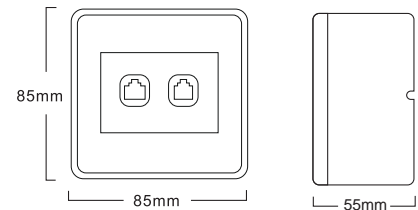


Network Socket Cameras Main Features:

- SONY CCD
- Network socket Hidden camera
- Built-in Pin-Hole Lens
- Compact size and beautiful design
- Auto White Balance
- Easy installation

Specifications

MODEL	MN-322CS
Image Sensor	1/3" Sony CCD (PAL:ICX633BK/NTSC:ICX632BAK)
DSP System	CXD3142
TV System	PAL/NTSC
Effective Pixels	PAL:537(H)×597(V) / NTSC:537(H)×505(V)
Horizontal Resolution	420TVL
Minimum Illumination	0.1 LUX/F1.2
S/N Ratio	48db (AGC Off)
Video Output	Composite, BNC (1.0Vp.p 75 hm)
White Balance	Auto (AWB)
Electronic Shutter	Auto (1/50 ~ 1/120000 Sec.)
Gamma Correction	0.45
Sync. System	Internal
Gain Control	Auto (AGC)
Lens	3.7mm Pin-Hole
Power	DC12V/180mA
Operation Temperature	-10°C ~ 50°C
Dimension	85L x 55W x 85H mm
Net Weight	150g



HIDDEN

SPRINKLER CAMERA

MF-425CS

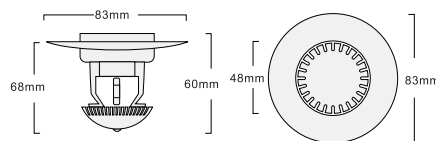


Sprinkler Cameras Main Features:

- Water Sprinkler Design Camera
- Built-in Pin-Hole Lens
- Auto White Balance
- Easy installation
- SONY CCD Sensor
- Ideal for Monitoring Cashier

Specifications

MODEL	MF-425CS
Image Sensor	1/4" Sony CCD (PAL:ICX643BK/NTSC:ICX642BK)
DSP System	CXD3142
TV System	PAL/NTSC
Effective Pixels	PAL:500H x 582V / NTSC:510H x 492V
Horizontal Resolution	420TVL
Minimum Illumination	0.5 LUX/F1.2
S/N Ratio	48db (AGC Off)
Video Output	Composite, BNC (1.0Vp.p 75 hm)
White Balance	Auto (AWB)
Electronic Shutter	Auto (1/50 - 1/120000 Sec.)
Gamma Correction	0.45
Sync. System	Internal
Gain Control	Auto (AGC)
Lens	3.6mm Pin-Hole
Power	DC12V/180mA
Operation Temperature	-10°C ~ 50°C
Dimension	83L x 62W x 68H mm
Net Weight	70g



LIGHT SERIES

420TVL

I1-322CP

Features

- 1/3" CCD
- 420 TVL
- 0.5 Lux (0 Lux IR On)
- With 12 Leds, 10 Mt
- 3.6mm Lens
- For Day & Night Conditions



I2-322CP

Features

- 1/3" CCD
- 420 TVL
- 0.5 Lux (0 Lux IR On)
- With 28 Leds, 20 Mt
- 4/6mm Lens
- For Day & Night Conditions



DX-322CP36

Features

- 1/3" CCD
- 420TVL, 0.1 Lux
- 3.6mm Lens
- Compact and Beautiful Design



DI-322CP36(PL)

Features

- 1/3" CCD
- 420 TVL
- 0.5 Lux (0 Lux IR On)
- With 24 Leds, 20 Mt
- 3.6mm Lens
- For Day & Night Conditions



MV-322CP

Features

- Miniature Hidden Camera
- 1/3" CCD
- 420TVL, 0.1 Lux
- 3.7mm Pin-Hole Lens



ULTRA LIGHT

600TVL

I3-360ULVF



Features

- Day & Night function
- Indoor/outdoor Applicable
- Excellent 600TVL Image Quality
- Vari-Focal, 2.8-12mm Lens
- Waterproof Performance IP66
- 3 axis Anti Cutting Cable Bracket
- 2-D Digital Noise Reduction
- Digital Wide Dynamic Range
- OSD Menu



I2-360UL36



Features

- Day & Night function
- Wide Angle lens, 3.6mm
- Excellent 600TVL Image Quality
- Indoor/outdoor Applicable
- Waterproof Performance IP66
- Friendly Installation Design
- 2-D digital Noise Reduction
- Digital Wide Dynamic Range
- OSD Menu



DI-360ULVF



Features

- Excellent 600TVL Image Quality
- Day & Night Function
- Indoor/Outdoor applicable
- Vari-Focal, 2.8-12mm lens
- Waterproof Performance IP66
- Friendly Installation Design
- 2-D digital Noise Reduction
- Digital Wide Dynamic Range
- OSD Menu



DI-360UL36



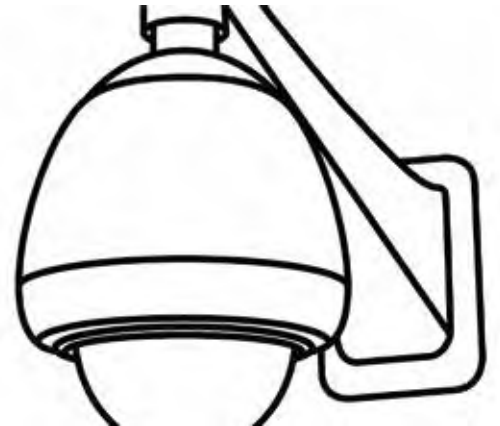
Features

- Excellent 600TVL Image Quality
- Day & Night function
- Indoor/outdoor Applicable
- Wide Angle lens, 3.6mm
- Waterproof Performance IP66
- Friendly Installation Design
- 2-D digital Noise Reduction
- Digital Wide Dynamic Range
- OSD Menu



Ultra Light
SERIES

PROFESSIONAL PTZ CAMERA Series



PTZ

is an acronym for Pan, Tilt and Zoom.

PTZ Cameras are actually motorized cameras, which allow us to remotely control the camera direction on all 3 dimensions:
Pan(horizontal axis) Tilt(Vertical axis) Zoom (zoom in/out with auto focus).



PROFESSIONAL Ultra-Z PTZ

A series of professional PTZ cameras designed for high end applications. In this kind of sensitive application reliability is the most important thing, therefore we are using advanced motors technology and the latest original zoom module from SONY to deliver best performance and reliability.

Ultra-Z cameras come with various zoom factors such as x18,x28,x36



LIGHT CRUISER SERIES

These light PTZ Cameras are based on cost effective x10 zoom module fitted with high speed PTZ motors. The Light-Cruiser PTZ cameras can be a perfect solution for low cost indoor/outdoor installations giving you extra versatility by offering both IR/Non-IR models.



ECONOMIC MINI PTZ

We believe that with a cost effective product, anyone can enjoy a PTZ camera. That is why we have designed a series of economic PTZ cameras which has all the features of a professional PTZ but with slower movement. The Zoom feature is based on Provision ISR Auto-Synchronized focus x3 zoom lenses.

P70 PROFESSIONAL Ultra-Z PTZ

P75 LIGHT CRUISER SERIES

P77 ECONOMIC MINI PTZ

Ultra-Z



The new Ultra-Z speed dome

Ultra-Z gives you more of everything.....

It is faster, it is more accurate, it is easier to install
and its video Performance is better than ever!

Ultra-Z speed dome Camreas Main Features:

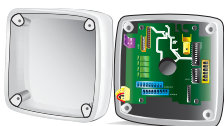
- Ultra-Fast
- I/O
- High Resolution
- Installation Friendly
- IP 66
- Group function (smart tour)
- Ultra-Accurate
- Installation Friendly
- "Smart Prest Video setting"
- Time Schedule Function



• Ultra-Fast

Ultra-Z series present an amazing "Preset" speed of 400° per second. (max)

This amazing speed is possible due to the Ultra-Z advanced mechanical motors system.



• Installation Friendly

While designing the new Ultra-Z we took into consideration not only the camera performance but also the installation convenience as well. That is why we created an external "connection box" so the installer can easily and safely do make all camera connections without opening the camera.



• Ultra-Accurate

Ultra-Z high speed dome series perform an outstanding "Preset" accuracy of up to 0.05°.

Making just a high speed dome camera is not hard; the challenging part is making a high speed camera along with remarkable Preset accuracy level. High Preset Accuracy Level means that once you define a preset, even after thousands of working hours, the camera will "hit the target" and never lose the Preset scene. Provision-ISR Ultra-Z high speed dome series perform at an outstanding preset accuracy level along with excellent speed performance.

The new Ultra-Z speed dome



Conventional
Zoom Camera



Ultra-z
Zoom Camera

- "Smart Prest Video setting"

"Smart Preset Video Setting" is a unique feature for provision-ISR Ultra-Z cameras.

While other PTZ cameras allow you to set a preset position only, Ultra-Z allows you in addition to preset position to set an exclusive Video Parameters such as Focus mode, Colors, Stabilizer, Auto Slow Shutter, White Balance and AE mode to each preset based on the scene conditions



- I/O

The new Ultra-Z is equipped with built in 8 alarm Inputs and 4 alarm Outputs so you can "Interface" the camera with other devices such as alarm systems, buzzers and so on. All connections can be done externally from the "connection box"



- IP 66

The Ultra-Z series Ingress Protection Rating is 66 so it is perfectly water-proof and dust-proof for any type of outdoor application. The power adapter provided with the camera is IP66 as well.

- Time Schedule Function

This advance function allows you to set a schedule to make the camera run different functions such as preset, pattern, group and auto scan at different times. The user can define up to seven different schedules.



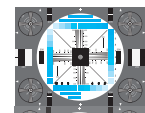
- Group function (smart tour)

Ultra-Z series allows you to set a "Smart Tour-Group" which can include a combination of: Preset, Pattern and Auto Scan.



- High Resolution

Ultra-Z cameras perform true high resolution of 550TVL with improved night performance and Digital Noise reduction (DNR).



Ultra-Z

Z-18s

Ultra-Z Z-18s Main Features:

- Preset speed of 400°/Sec (max)
- Preset accuracy up to 0.05°
- Endless Pan Rotation 360° & continuously Tilt with Auto flip 180°
- Preset position, pattern, Auto scan and Smart group tour
- Alarm (I/O): 8 Input /4 Output
- Privacy zones masking
- "Smart-Preset" setting
- Advanced Schedule setting
- Full function OSD Menu
- IP66 protection.
- Build-In Fan and heater
- x18 optical zoom/ x12 digital zoom
- High Resolution 550 TVL
- True Day/Night with ICR filter
- Wide Dynamic Range with Auto mode
- Enhanced 2D + 3D Noise reduction
- Slow AE response (up to 10 min)
- WB/AGC/BLC
- Slow shutter sens up
- picture flip and freeze



Camera Specification

Model	Ultra-Z Z-18s Zoom Module: SONY FCBEX490EP
CCD	1/4-type EXview HAD CCD (Progressive Scan)
Horizontal Resolution	550 TV Lines
Optical Zoom	18x , f=4.1 ~ 73.8 mm F=1.4 ~ to F3.0
Digital Zoom	12x (216x with optical zoom)
Minimum object distance	10mm(wide) to 1500mm (tele), Default: 290mm
Horizontal Angle of View	48.0°(wide end) 2.8°(tele end)
Sync system	Internal / External(V-lock)
Min. illumination	0.7 lx (F1.4, 50 IRE)
Day & Night	Auto/Day/Night Mode(ICR)
S/N Ratio	More than 50 dB
Focus	Auto/One-push AF/Manual
Auto Gain	Auto, Manual, Priority Mode, Bright, Slow AE
Wide-D	Off/on/Auto/ON-R(fixed exposure ratio mode) /ON-D(Dver operation)
White Balance	Yes(Auto, ATW, Indoor, Outdoor, Outdoor Auto, Sodium Vapor Lamp (fix/auto), One-push, Manual)
BLC	On/Off
Shutter Speed	1/1 to 1/10,000s, 22 steps
Sens up	Up to 1 sec slow shutter
Noise Reduction	Enhanced noise reduction(2D and 3D are combined by 5 levels according to the condition)
Slow AE Response	Yes (longer than 10 min.)
Image Stabilization	No
StableZoom	No
Picture Effects	E-Flip, Nega Art, B/W, Mirror image, Picture freeze
Motion Detection	Yes

Pan/Tilt Specification

Range	Pan 360°(Endless)/Tilt 90°
Pan/Tilt Speed	Max. preset speed: 400°/sec. Manual: 0.05°~180°/sec(proportional to zoom)
Preset(with special setting)	Up to 128(with editable label)
Pattern	Up to 4
Auto Scan	Up to 8, speed adjustable
Group	Up to 8, each with up to 20 actions (preset, pattern tour or VST)
Schedule	Up to 7
Privacy zone Masking	on/off (8 position)
Park Function	Park to specified preset ,pattern or auto scan after a defined period of inactivity (1 min ~ 4 hours)

Communication Specification

Data Type	RS485(MAX. 255 unit),RS422
Protocols	Pelco-D or Pelco-P
Baud Rate	2400,4800,9600
Camera ID	1-255
Alarm I/O	8 inputs, 4 outputs
On Screen Display	OSD menu, camera position, dome ID, alarm status, preset/auto scan/pattern tour status

Mechanical

Fan/Heater	Built in
Sunshield	Fitted
Humidity	<95%
Power Supply	24V AC, 45 watts maximum (heater on)
Operation	-35°C to +60 °C
Temperature Range	
Dimensions(with standard wall bracket and sunshield fitted)	Overall height: 530mm, Overall width: 230mm, Overall depth: 342mm
Ingress Protection	IP66
Weight(approx weight with zoom module)	3.4KG

Ultra-Z

Z-27s

Ultra-Z Z-27s Main Features:

- Preset speed of 400°/Sec (max)
- Preset accuracy up to 0.05°
- Endless Pan Rotation 360° & continuously Tilt with Auto flip 180°
- Preset position, pattern, Auto scan and Smart group tour
- Alarm (I/O): 8 Input /4 Output
- Privacy zones masking
- "Smart-Preset" setting
- Advanced Schedule setting
- Full function OSD Menu
- IP66 protection.
- Build-In Fan and heater
- x27 optical zoom/ x16 digital zoom
- High Resolution 560TVL color 680TVL B/W
- True Day/Night with ICR filter
- Noise reduction (SSNR)
- WB/AGC/BLC
- Slow shutter
- Image Stabilisation



Camera Specification

Model	Ultra-Z Z-27e Zoom Module: SAMSUNG SCM-2271
CCD	1/4 inch, Interline Transfer(Interlace Scan)
Horizontal Resolution	560 TV Lines(Min.);Color(WIDE) /680 TV Lines(Min.); Color(WIDE)
Optical Zoom	27X, f=3.5 to 94.5mm(F 1.6 to 3.9)
Digital Zoom	up to 16x
Minimum object distance	1500mm
Horizontal Angle of View	H: 55.5°(Wide) to 1.77°(Tile) V: 42.5°(Wide) to 1.19°(Tile)
Sync system	Internal / External(V-lock)
Min. illumination	Color: 0.2 Lux/F1.6 (50 IRE) B/W: 0.02 Lux/F1.6 (50 IRE)
Day & Night	Auto/Day/Night
S/N Ratio	52dB (AGC Off,Weight ON)
Focus	AUTO,MANUAL,Semi-AUTO
AGC Level	Off,Low,Middle,High
White Balance	ATW/AWC/INDOOR/OUTDOOR/Manual
BLC	BLC /HLC / OFF
Shutter Speed	ESC,ANTI-F,X2~X512,1/50S~1/1200000S ESC,ANTI-F,X2~X512,1/60S~1/1200000S
Sens up	OFF,2x ~512x
SSNR(Samsung Super Noise Reduction)	OFF,LOW,MIDDLE,HIGH
Stabilizer	ON/OFF
FLIP	ON/OFF
Picture Freeze	ON/OFF
Iris	AUTO,MANUAL,CLOSE
Flickerness	ON/OFF

Pan/Tilt Specification

Range	Pan 360°(Endless)/Tilt 90°
Pan/Tilt Speed	Max. preset speed: 400°/sec. Manual: 0.05°~180°/sec(proportional to zoom)
Preset(with special setting)	Up to 128(with editable label) Up to 4
Pattern	Up to 8, speed adjustable
Auto Scan Group	Up to 8, each with up to 20 actions (preset, pattern tour or VST)
Schedule	Up to 7
Privacy zone Masking	on/off (8 position)
Park Function	Park to specified preset ,pattern or auto scan after a defined period of inactivity (1 min ~ 4 hours)

Communication Specification

Data Type	RS 485
Protocols	Pelco-D or Pelco-P
Baud Rates	2400, 4800, 9600
Camera ID	1 - 255
Alarm I/O	8 inputs , 4 outputs
On Screen Display	OSD menu, camera position, dome ID, alarm status, preset / VST/ pattern tour status

Mechanical

Fan / Heater	Built in
Sunshield	Fitted
Humidity	<95%
Power Supply	24V AC, 45 watts maximum (heater on)
Operating Temperature Range	-35°C to +60 °C
Dimensions (with standard wall Bracket and sun shield fitted)	Overall height: 530mm, Overall width: 230mm, Overall depth: 342mm
Ingress Protection	IP66
Weight(approx weight with zoom module)	3.4KG

Ultra-Z

Z-28s

Ultra-Z Z-28s Main Features:

- Preset speed of 400°/Sec (max)
- Preset accuracy up to 0.05°
- Endless Pan Rotation 360° & continuously Tilt with Auto flip 180°
- Preset position, pattern, Auto scan and Smart group tour
- Alarm (I/O): 8 Input /4 Output
- Privacy zones masking
- "Smart-Preset" setting
- Advanced Schedule setting
- Full function OSD Menu
- IP66 protection.
- Build-In Fan and heater
- x28 optical zoom/ x12 digital zoom
- High Resolution 550 TVL
- True Day/Night with ICR filter
- Enhanced 2D + 3D Noise reduction
- Slow AE response (up to 10 min)
- WB/AGC/BLC
- Slow shutter sens up
- Image Stabilisation
- Picture flip and freeze



Camera Specification

Model	Ultra-Z Z-28s Zoom Module: SONY FCBEX985EP
CCD	1/4-type Super HAD CCD II (Interface Scan)
Horizontal Resolution	550 TV Lines
Optical Zoom	28x, f=3.5 ~ 98.0 mm F=1.35 ~ F3.7
Digital Zoom	12x (324x with optical zoom)
Minimum object distance	10mm(wide) to 1500mm (tele), Default:300mm
Horizontal Angle of View	55.8 ° (wide end) ,2.1° (tele end)
Sync system	Internal / External(V-lock)
Min. illumination	0.1 lx (F1.35, 50IRE)
Day & Night	Auto/Day/Night Mode(ICR)
S/N Ratio	More than 50 dB
Focus	Auto/One-push AF/Manual
Auto Gain	Auto, Manual, Priority Mode, Bright, Slow AE
Wide-D	No
White Balance	Yes(Auto, ATW, Indoor, Outdoor, Outdoor Auto, Sodium Vapor Lamp (fix/auto), One-push, Manual)
BLC	On/Off
Shutter Speed	1/1 to 1/10,000s, 22 steps
Sens up	Up to 1 sec slow shutter
Noise Reduction	Enhanced noise reduction(2D and 3D are combined by 5 levels according to the condition)
Slow AE Response	Yes (longer than 10 min.)
Image Stabilization	Yes
StableZoom	Yes (up to 32x)
Picture Effects	E-Flip, Nega Art, B/W, Mirror image, Picture freeze
Motion Detection	Yes

Pan/Tilt Specification

Range	Pan 360°(Endless)/Tilt 90°
Pan/Tilt Speed	Max. preset speed: 400°/sec. Manual: 0.05°~180°/sec(proportional to zoom)
Preset(with special setting)	Up to 128(with editable label)
Pattern	Up to 4
Auto Scan	Up to 8, speed adjustable
Group	Up to 8, each with up to 20 actions (preset, pattern tour or VST)
Schedule	Up to 7
Privacy zone Masking	on/off (8 position)
Park Function	Park to specified preset ,pattern or auto scan after a defined period of inactivity (1 min ~ 4 hours)

Communication Specification

Data Type	RS485(MAX. 255 unit),RS422
Protocols	Pelco-D or Pelco-P
Baud Rate	2400,4800,9600
Camera ID	1-255
Alarm I/O	8 inputs, 4 outputs
On Screen Display	OSD menu, camera position, dome ID, alarm status, preset/auto scan/pattern tour status

Mechanical

Fan/Heater	Built in
Sunshield	Fitted
Humidity	<95%
Power Supply	24V AC, 45 watts maximum (heater on)
Operation Temperature Range	-35°C to +60 °C
Dimensions(with standard wall bracket and sunshield fitted)	Overall height: 530mm, Overall width: 230mm, Overall depth: 342mm
Ingress Protection	IP66
Weight(approx weight with zoom module)	3.4KG

Ultra-Z

Z-36e

Ultra-Z Z-36e Main Features:

- Preset speed of 400°/Sec (max)
- Preset accuracy up to 0.05°
- Endless Pan Rotation 360° & continuously Tilt with Auto flip 180°
- Preset position, pattern, Auto scan and Smart group tour
- Alarm (I/O): 8 Input /4 Output
- Privacy zones masking
- "Smart-Preset" setting
- Advanced Schedule setting
- Full function OSD Menu
- IP66 protection.
- Build-In Fan and heater
- x28 optical zoom/ x12 digital zoom
- High Resolution 550 TVL
- True Day/Night with ICR filter
- Enhanced 2D + 3D Noise reduction
- WB/AGC/BLC
- Slow shutter sens up
- Image Stabilisation
- Picture flip and freeze



Camera Specification

Model	Z-36e
CCD	1/4-type Super HAD CCD II (Double Scan)
Horizontal Resolution	650 TV Lines
Optical Zoom	36x , f=3.4 ~ 122.4 mm F=1.6 ~ F4.5
Digital Zoom	32x (1152x with optical zoom)
Minimum object distance	100mm(wide) to 5000mm (tele)
Sync system	Internal
Min. illumination	Color 0.5 lx (F1.6, 50IRE, Sens-up Off) B/W 0.2 lx (F1.6, 50IRE, Sens-up Off)
Day & Night	Auto/Day/Night Mode(ICR)
S/N Ratio	More than 50 dB (AGC Off)
Focus	Auto/One-push AF/Manual
Auto Gain	Off/On
Wide-D	Yes
White Balance	Yes(Auto, ATW, Indoor, Outdoor, One-push, Manual)
Digital WDR	On/Off
BLC	On/Off
Shutter Speed	1/60 to 1/100,000s
Sens up	2x-512x
Noise Reduction	2D & 3D DNR
Image Stabilization	Yes
Flip	On/Off
Freeze	On/Off
IRIS	Auto/ Manual
Motion Detection	Yes
Flickerless	On/Off

Pan/Tilt Specification

Range	Pan 360°(Endless)/Tilt 90°
Pan/Tilt Speed	Max. preset speed: 400°/sec. Manual: 0.05°~180°/sec(proportional to zoom)
Preset(with special setting)	Up to 128(with editable label)
Pattern	Up to 4
Auto Scan	Up to 8, speed adjustable
Group	Up to 8, each with up to 20 actions (preset, pattern tour or VST)
Schedule	Up to 7
Privacy zone Masking	on/off (8 position)
Park Function	Park to specified preset ,pattern or auto scan after a defined period of inactivity (1 min ~ 4 hours)

Communication Specification

Data Type	RS485(MAX. 255 unit),RS422
Protocols	Pelco-D or Pelco-P
Baud Rate	2400,4800,9600
Camera ID	1-255
Alarm I/O	8 inputs, 4 outputs
On Screen Display	OSD menu, camera position, dome ID, alarm status, preset/auto scan/pattern tour status

Mechanical

Fan/Heater	Built in
Sunshield	Fitted
Humidity	<95%
Power Supply	24V AC, 45 watts maximum (heater on)
Operation	-35°C to +60 °C
Temperature Range	
Dimensions(with standard wall bracket and sunshield fitted)	Overall height: 530mm, Overall width: 230mm, Overall depth: 342mm
Ingress Protection	IP66
Weight(approx weight with zoom module)	3.4KG

Ultra-Z

Z-36s

Ultra-Z Z-36s Main Features:

- Preset speed of 400°/Sec (max)
- Preset accuracy up to 0.05°
- Endless Pan Rotation 360° & continuously Tilt with Auto flip 180°
- Preset position, pattern, Auto scan and Smart group tour
- Alarm (I/O): 8 Input /4 Output
- Privacy zones masking
- "Smart-Preset" setting
- Advanced Schedule setting
- Full function OSD Menu
- IP66 protection.
- Build-In Fan and heater
- x36 optical zoom/ x12 digital zoom
- High Resolution 550 TVL
- True Day/Night with ICR filter
- Wide Dynamic Range with Auto mode
- Enhanced 2D + 3D Noise reduction
- Slow AE response (up to 10 min)
- WB/AGC/BLC
- slow shutter sens up
- Image Stabilisation
- picture flip and freeze



Camera Specification

Model	Ultra-Z Z-36s Zoom Module: SONY FCBEX1020P
CCD	1/4-type Exview HAD CCD(Progressive Scan)
Horizontal Resolution	550 TV Lines
Optical Zoom	36x , f=3.4 ~ 122.4 mm F=1.6 ~ F4.5
Digital Zoom	12x (432x with optical zoom)
Minimum object distance	10mm(wide) to 1500mm (tele), Default:320mm
Horizontal Angle of View	57.8°(wide end) 1.7°(tele end)
Sync system	Internal / External(V-lock)
Min. illumination	1.4 lx (F1.6, 50 IRE)
Day & Night	Auto/Day/Night Mode(ICR)
S/N Ratio	More than 50 dB
Focus	Auto/One-push AF/Manual
Auto Gain	Auto, Manual, Priority Mode, Bright, Slow AE
Wide-D	Off/on/Auto/ON-R(fixed exposure ratio mode) /ON-D(Dver operation)
White Balance	Yes(Auto, ATW, Indoor, Outdoor, Outdoor Auto, Sodium Vapor Lamp (fix/auto), One-push, Manual)
BLC	On/Off
Shutter Speed	1/1 to 1/10,000s, 22 steps
Sens up	Up to 1 sec slow shutter
Noise Reduction	Enhanced noise reduction(2D and 3D are combined by 5 levels according to the condition)
Slow AE Response	Yes (longer than 10 min.)
Image Stabilization	Yes
StableZoom	Yes (up to 40x)
Picture Effects	E-Flip, Nega Art, B/W, Mirror image, Picture freeze
Motion Detection	Yes

Pan/Tilt Specification

Range	Pan 360°(Endless)/Tilt 90°
Pan/Tilt Speed	Max. preset speed: 400°/sec. Manual: 0.05°~180°/sec(proportional to zoom)
Preset(with special setting)	Up to 128(with editable label)
Pattern	Up to 4
Auto Scan	Up to 8, speed adjustable
Group	Up to 8, each with up to 20 actions (preset, pattern tour or VST)
Schedule	Up to 7
Privacy zone Masking	on/off (8 position)
Park Function	Park to specified preset ,pattern or auto scan after a defined period of inactivity (1 min ~ 4 hours)

Communication Specification

Data Type	RS485(MAX. 255 unit),RS422
Protocols	Pelco-D or Pelco-P
Baud Rate	2400,4800,9600
Camera ID	1-255
Alarm I/O	8 inputs, 4 outputs
On Screen Display	OSD menu, camera position, dome ID, alarm status, preset/auto scan/pattern tour status

Mechanical

Fan/Heater	Built in
Sunshield	Fitted
Humidity	<95%
Power Supply	24V AC, 45 watts maximum (heater on)
Operation	-35°C to +60 °C
Temperature Range	
Dimensions(with standard wall bracket and sunshield fitted)	Overall height: 530mm, Overall width: 230mm, Overall depth: 342mm
Ingress Protection	IP66
Weight(approx weight with zoom module)	3.4KG

LIGHT CRUISER

LC-10



- Indoor/Outdoor Application
- Up to 10X Zoom.
- LC-10
- SONY EFFIO-E
- 1/3 CCD
- RS-485 control
- Elegant and small case, Ceiling /Wall mount
- OSD Menu
- 2D Noise Reduction
- Economy PTZ for Small Installations
- BLC/HLC/AGC

Camera Specification

MODEL	LC-10
Image sensor	1/3 Sony CCD (PAL:ICX673AK/NTSC:ICX672AK)
DSP system	CXD 4127
Horizontal resolution	650TVL
Effective resolution	976Hx596V
Optical zoom	10X f=3.9-39.0mm
Sync system	Internal Sync
Min illumination	color:0.3LUX, BW0.03LUX
D&N	Auto/Day/Night mode
S/N ratio	≥50db
Focus	Auto/Manual/Push(AF/KF/FF)
Auto gain	Auto/Manual
Wide-D	YES
White balance	Auto/Manual
BLC	ON/OFF
AGC	High/Middle/Low
Shutter speed	1/50-1/120000 seconds
Sense up	NO
Noise reduction	YES
TV System	PAL/NTSC

Pan/Tilt Specification

Range	Pan 360° (Endless)/Tilt 180° (Auto Flip)
Preset	Up to 256
Pattern	Up to 4
Tour	Up to 3 (max 10 presets)
Rotation speed	Max 300°/s Min 0.01°/s

Communication Specification

Data type	RS485
Protocols	PELCO D, PELCO P
Baud rate	2400, 4800, 9600
Camera ID	1-255

Mechanical

Fan/heater	Optional
Sunshield	Optional Aluminum shell
Humidity	<95%RH
Power supply	DC12V, Max 200mA
Operation temperature range	-20 °C to +50 °C(With fan/heater)
Dimension	230X205X127
Water protection	IP66
Weight	2kg



LIGHT CRUISER

LC-10 IR



- Indoor Application
 - Visible IR distance 20M
 - Day and night application
 - RS-485 control
 - Up to 10X Zoom.
 - Elegant and small case, Ceiling/Wall mount
 - Economy PTZ for Small Installations
- LC-10 IR
- SONY EFFIO-E
 - OSD Menu
 - BLC/HLC/AGC
 - 1/3 CCD
 - 2D Noise Reduction

Camera Specification

MODEL	LC-10 IR
Image sensor	1/3 Sony CCD (PAL:ICX673AK/NTSC:ICX672AK)
DSP system	CXD 4127
Horizontal resolution	650TVL
Effective resolution	976Hx596V
Optical zoom	10X f=3.9-39.0mm
Sync system	Internal Sync
Min illumination	0 Lux (IR ON)
IR Range	20M
D&N	Auto/Day/Night mode
S/N ratio	≥50db
Focus	Auto/Manual/Push(AF/KF/FF)
Auto gain	Auto/Manual
Wide-D	YES
White balance	Auto/Manual
BLC	ON/OFF
AGC	High/Middle/Low
Shutter speed	1/50-1/120000 seconds
Sense up	NO
Noise reduction	YES
TV System	PAL/NTSC

Pan/Tilt Specification

Range	Pan 360° (Endless)/Tilt180° (Auto Flip)
Preset	Up to 256
Pattern	Up to 4
Tour	Up to 3 (max 10 presets)
Rotation speed	Max 300°/s Min 0.01°/s

Communication Specification

Data type	RS485
Protocols	PELCO D, PELCO P
Baud rate	2400, 4800, 9600
Camera ID	1-255

Mechanical

Fan/heater	Optional
Sunshield	Optional Aluminum shell
Humidity	<95%RH
Power supply	DC12V, Max 200mA
Operation temperature range	-20 °C to +50 °C(With fan/heater)
Dimension	230X205X127
Water protection	NO
Weight	2kg



ANTI-VANDAL DOME

PA-360CSVF
PA-325CSVF



* Functionality is subject to camera model

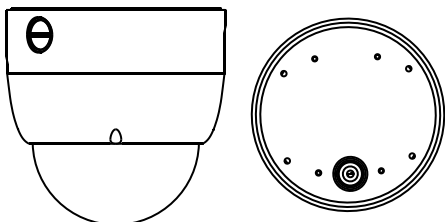
- Indoor Application
- Up to 3X Zoom.
- PA-325CSVF
 - 1/3 SONY CCD
 - 420 TVL resolution
 - Auto White Balance
- PA-360CSVF
 - SONY EFFIO-E
 - 1/3 CCD 650 TVL
 - 2D Noise Reduction
- RS-485 control
- Elegant and small case, Ceiling mount
- OSD Menu
- Motion Detection and Privacy Masking
- Color Rolling Control
- Economy PTZ for Small Installations
- BLC/HLC/AGC
- ATR (Adaptive Tone Reproduction)

Camera Specification

MODEL	PA-360CSVF	PA-325CSVF
Image sensor	1/3" Sony CCD (PAL:ICX811BK/NTSC:ICX810BK)	1/3" Sony CCD (PAL:ICX633BK/NTSC:ICX632BK)
Horizontal Resolution	650TVL	420 TVL
Effective Pixels	PAL:976(H)x582(V) NTSC:976(H)x494(V)	PAL: 500(H)×582(V) NTSC:510(H)×492(V)
Power supply voltage	12V DC, 90mA	12V DC, 80mA
TV system	PAL/NTSC	PAL/NTSC
White Balance	Atw/Push/User /Anti CR/Manual	Auto (AWB)
Synchronous System	Internal	Internal
Minimum Illumination	0.1Lux /F1.2	0.05Lux /F1.2
S/N Ratio	≥48db (AGC Off)	≥48db
Electronic Shutter	NTSC:1/60sec-1/100,000sec PAL:1/50sec-1/110,000sec	Auto (1/50(1/60)-1/100000 Sec)
Video signal	1.0VP-P/75Ω	1.0vp-p750hms.
Lens configuration	4-9/8-20mm	4-9/8-20mm

Mechanical Specification

Dome Type:	4" Indoor 24IR PTZ dome	Preset points:	32 Points
Protocol:	Pelco-P/D	Pattern Tours:	Programable 16 preset point Programable preset number and dwell time / speed
Baudrate:	1200/2400/4800/9600 bps	Auto Scan:	Yes (Programable speed and left right limited point)
Address:	0-255	Power-off memory:	Current setting and state (Include Pattern, Not include auto scan)
Pan Rotation:	360° Continues rotation	Home position:	Yes (Programable auto come back home position)
Tilt Rotation:	0° - 90°	Zoom:	Optical 3X
Max Pan Speed:	60°/Sec	Protection:	Indoor use
Max Tilt Speed:	30°/Sec	Operating:	-5°C - 60°C
Preset speed:	100°/Sec	Power:	12VDC 500mA
Preset accuracy:	±3°	Communication:	RS485 (+/-)



Remote Controller (Optional)



OUTDOOR PLASTIC

PZ-360CSVF
PZ-325CSVF



* Functionality is subject to camera model

- Indoor/Outdoor Application
- Up to 3X Zoom.
- PZ-325CSVF
 - 1/3 SONY CCD
 - 420 TVL resolution
 - Auto White Balance
- PZ-360CSVF
 - SONY EFFIO-E
 - 1/3 CCD 650 TVL
 - 2D Noise Reduction
- RS-485 control
- Elegant and small case, Ceiling mount
- Economy PTZ for Small Installations
- OSD Menu
- Motion Detection and Privacy Masking
- Color Rolling Control
- BLC/HLC/AGC
- ATR (Adaptive Tone Reproduction)

Specifications

MODEL	PZ-360CSVF	PZ-325CSVF
Image sensor	1/3" Sony CCD (PAL:ICX811BK/NTSC:ICX810BK)	1/3" Sony CCD (PAL:ICX633BK/NTSC:ICX632BK)
Horizontal Resolution	650TVL	420 TVL
Effective Pixels	PAL:976(H)x582(V) NTSC:976(H)x494(V)	PAL: 500(H)x582(V) NTSC:510(H)x492(V)
Power supply voltage	12V DC, 90mA	12V DC, 80mA
TV system	PAL/NTSC	PAL/NTSC
White Balance	Atw/Push/User /Anti CR/Manual	Auto (AWB)
Synchronous System	Internal	Internal
Minimum Illumination	0.1Lux /F1.2	0.05Lux /F1.2
S/N Ratio	≥48db (AGC Off)	≥48db
Electronic Shutter	NTSC:1/60sec-1/100,000sec PAL:1/50sec-1/110,000sec	Auto (1/50(1/60)-1/100000 Sec)
Video signal	1.0VP-P/75Ω	1.0vp-p750hms.
Lens configuration	4-9/8-20mm	4-9/8-20mm

Mechanical Specification

Dome Type:	5" Indoor 24IR PTZ dome	Preset points:	32 Points
Protocol:	Pelco-P/D	Pattern Tours:	Programmable 16 preset point Programmable preset number and dwell time / speed
Baudrate:	1200/2400/4800/9600 bps	Auto Scan:	Yes (Programmable speed and left right limited point)
Address:	0-255	Power-off memory:	Current setting and state (Include Pattern, Not include auto scan)
Pan Rotation:	360° Continues rotation	Home position:	Yes (Programmable auto come back home position)
Tilt Rotation:	0°-90°	Zoom:	Optical 3X
Max Pan Speed:	60°/Sec	Protection:	Indoor use
Max Tilt Speed:	30°/Sec	Operating:	-5°C ~ 60°C
Preset speed:	100°/Sec	Power:	12VDC 500mA
Preset accuracy:	±3°		

Wall And Ceiling Mount (Both Included)

Remote Controller (Optional)

Accessories

OUTDOOR METAL

PZ-360CSVF(M)

PZ-325CSVF(M)



* Functionality is subject to camera model

- Indoor/Outdoor Application
- Up to 3X Zoom.
- PZ-325CSVF(M)
- 1/3 SONY CCD
- 420 TVL resolution
- Auto White Balance
- RS-485 control
- Elegant and small case, Ceiling mount
- PZ-360CSVF(M)
- SONY EFFIO-E
- 1/3 CCD 650 TVL
- 2D Noise Reduction
- Economy PTZ for Small Installations
- OSD Menu
- Motion Detection and Privacy Masking
- Color Rolling Control
- BLC/HLC/AGC
- ATR (Adaptive Tone Reproduction)

Camera Specification

MODEL	PZ-360CSVF(M)	PZ-325CSVF(M)
Image sensor	1/3" Sony CCD (PAL:ICX811BK/NTSC:ICX810BK)	1/3" Sony CCD (PAL:ICX633BK/NTSC:ICX632BK)
Horizontal Resolution	650TVL	420 TVL
Effective Pixels	PAL:976(H)x582(V) NTSC:976(H)x494(V)	PAL: 500(H)x582(V) NTSC:510(H)x492(V)
Power supply voltage	12V DC, 90mA	12V DC, 80mA
TV system	PAL/NTSC	PAL/NTSC
White Balance	Atw/Push/User /Anti CR/Manual	Auto (AWB)
Synchronous System	Internal	Internal
Minimum Illumination	0.1Lux /F1.2	0.05Lux /F1.2
S/N Ratio	≥48db (AGC Off)	≥48db
Electronic Shutter	NTSC:1/60sec-1/100,000sec PAL:1/50sec-1/110,000sec	Auto (1/50(1/60)-1/100000 Sec)
Video signal	1.0VP-P/75Ω	1.0vp-p750hms.
Lens configuration	4-9/8-20mm	4-9/8-20mm

Mechanical Specification

Dome Type:	5" Indoor 24IR PTZ dome	Preset points:	32 Points
Protocol:	Pelco-P/D	Pattern Tours:	Programable 16 preset point Programable preset number and dwell time / speec
Baudrate:	1200/2400/4800/9600 bps	Auto Scan:	Yes (Programable speed and left right limited point)
Address:	0-255	Power-off memory:	Current setting and state (Include Pattern, Not include auto scan)
Pan Rotation:	360° Continues rotation	Home position:	Yes (Programable auto come back home position)
Tilt Rotation:	0°-90°	Zoom:	Optical 3X
Max Pan Speed:	60°/Sec	Protection:	Indoor use
Max Tilt Speed:	30°/Sec	Operating:	-5°C ~ 60°C
Preset speed:	100°/Sec	Power:	12VDC 500mA
Preset accuracy:	±3°		

Accessories

Wall And Ceiling Mount (Both Included)

Remote Controller (Optional)

Speed dome keyboard controller



- MODEL: C06
- Speed dome controller
 - Display screen
 - 3-axis joystick control
 - Communication port: RS485
 - Support Pelco-P/D

Remote controller



- MODEL: PTC-01
- PTZ Dome Controller

Parts and Brackets



- MODEL: A
- Transparent dome cover



- MODEL: B02
- Wall mount bracket



- MODEL: B04
- Pole mount bracket



- MODEL: B01
- Pendant mount bracket



- MODEL: B03
- Corner mount bracket

STANDALONE DVR

Series



DVR systems are the “heart” of any CCTV installation!

Eventually all the information streamed from the cameras accumulates into the DVR. The DVR captures the video signal coming from the camera, converts and saves it in digital format. Therefore, when it comes to the final video resolution, the DVR quality is not less important than the cameras. Moreover, since all the recording data is being saved and rewritten over and over on the DVR it must be extremely reliable and high standard product.

All of Provision-ISR DVR's are designed and manufactured according to the knowledge that was researched and practiced over many years of experience. All of them use the advanced H.264 video compression format in order to deliver the maximum video quality while using the minimum storage volume.

Provision-ISR DVRs are made of the highest quality components and adapted to work in a wide-range of different conditions and applications. All of our DVRs stand out for their “full feature” operating system with user friendly graphical interface running from its powerful processor.

All DVR includes Digital VGA and HDMI monitor out, Analog Video out, Audio In/Out, RS-485 for PTZ control and Alarm In/Alarm out sockets. It is also supported by a powerful network function for remote monitoring, full remote configuration and mobile device application for remote monitoring.

HD-SDI DVR's



Our latest series of HD-SDI DVRs will give you the best resolution that you can receive for extra reach and maximum details.

With resolution comparing to 6 times D1, HD-SDI is the best solution for you if you need maximum resolution (1080P) and the ability to have a sharp view even for objects that are further away from the camera.

Our two lines of products (Real-Time and Non-Real-Time) includes 4, 8 and 16 Channel DVRs as well as Hybrid Product (4Ch HD-SDI + 4Ch D1)

D1 DVR's

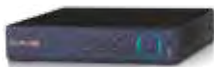


Our full D1 Real-Time DVR Series is your best choice when higher resolution surveillance is needed.

Full D1 recording provides you 4 time higher resolution comparing with standard CIF recording which means that you can get 4 time pixels per object for detailed video and better recognition of the captured objects.

Our Full D1 Series including 4, 8 and 16 Channel DVRs, for all types of installation such as retail, residential, offices, Hotels and more...

CIF DVR's



Our CIF DVRs series are your first choice for all type of installation. It's an outstanding cost-effective product with excellent performance. It is a perfect solution to meet different client's requirements.

CIF Series including 8, 16, 24 and 32 Channel DVRs

P88

HD-SDI DVR'S

P97

D1 DVR'S

P95

960H DVR'S

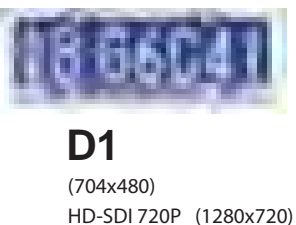
P100

CIF DVR'S

Provision ISR's DVRs

CIF / D1 / 960H / 720P / 1080P are different types of formats that actually stands for the final size of the recorded images. In the picture below you can see exactly the same image captured in 5 different resolutions. As you can see, as smaller the image gets, it contains fewer details. If greater details is what you are looking for then HD-SDI is probably your best choice.

Understanding the different resolutions:



DVR MAIN FEATURES

Main Screen



- Clear and sharp image
- Easy and graphical operation
- Fast login for records
- Full Virtual keyboard
- PTZ control- presets, cruise, track and auto scan
- Audio control
- Virtual PTZ
- Two Way Audio

Basic & Live Settings



- VGA resolution up to 1280X1024.
- Device name and ID editable.
- Language setting
- DST
- Channel name editable.
- Channel security by hiding live video/ name.
- Color adjustments
- Spot out dwell time adjustable
- Masking- 3 areas per channel.

RECORD



- CIF Resolution (D1 for lower fps)
- Video quality different from remote.
- Selectable Frame rate for each channel.
- Audio recording (4 audio available).
- DATE / TIME position on the screen
- Easy and graphical schedule setting by mouse
- Picture Snap Function

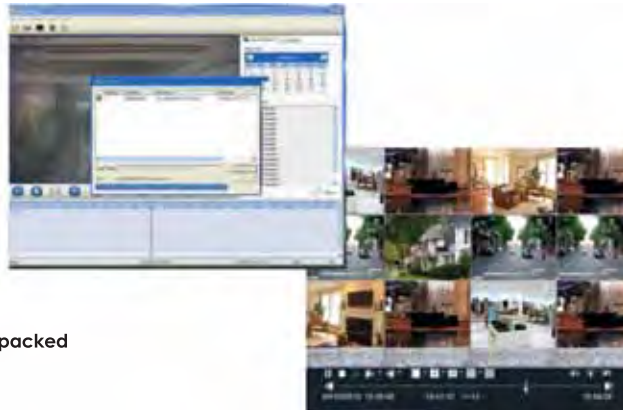
DVR MAIN FEATURES

ALARM & MOTION



- Multi zone Motion Detect
- Motion Sensitivity
- Pre/Post record
- Up to 16 Alarms In and 4 Alarm Out
- Video loss alarm
- Full HDD alarm
- Motion To record, Alarm, PTZ, buzzer, full screen
- E-mail Notification with Picture Snap

PLAYBACK & BACKUP



- Smart search (time, events, files)
- Full channel real time playback
- Support deleting and locking recorded files
- Dragging bar for quick playback
- Back up in AVI format
- Express backup to USB/DVDRW with DVR player automatically packed
- Image Color Modification
- Digital Zoom

Mobile Phones



- Support mobile view by - Pocket PC Phone, Windows Mobile, Symbian, iPhone, Google phone, Blackberry.
- Support Live View and PTZ Control.
- Support 4ch view.
- Support multi site.
- Support Audio

DVR MAIN FEATURES

NETWORK



Remote Live



Remote DVD Menu Configuration



Remote Playback



Remote Backup

- Support Static IP, DHCP, PPOE, DDNS
- Support XP / VISTA / Win7.
- Fast connectivity.
- Dual Stream
- Remote Live view and Audio.
- Date & Time line table for playback.
- Full Channel playback
- Support Snap Shots.
- Color adjustment.
- Full remote setup
- Two Way Audio
- Remote Upgrade

CMS



CMS Interface

- Free CMS Software- Client management program which main function is to centralize all devices together and realize management of parameters and authorization.
- Support 64 channels in one screen, and up to 100 different locations and Up to 1024 cameras.
- CMS support 3 main function:
 - View the live site
 - **Device configuration**
 - Video search, playback and backup.

SuperLivePro

Enjoy our amazing FREE iPhone Application



- Live View in single or multi-channel display mode
- Support 2 Way Audio - listen and talk
- Local video recording and playback on your mobile
- Image snapshot
- Remote playback including smart search
- Remote system configuration
- Servers list
- PTZ control
- Color adjustment



Live View

SuperLivePro allows you to display your cameras in Various display modes. single channel or multi channel

Live view screen includes "color light" indication tells you the camera status

You can easily drag any camera and display it in any location you choose

Status indication
Drag camera



2 Way Audio

Now you can listen and even talk to your camera's site (Mic/Spk must be connected to your DVR)

Audio on
Press to listen
Press to talk



video recording and playback

Preserve your evidence! while watching your cameras you can just click on "REC" button and start recording immediately the selected camera on your iPhone! . later on you can play the recorded file on your iPhone

Smart search by different methoed



Image snapshot

Freeze any moment by snapshot. one click and the image stores to your iphone

Save snap shot display



Remote playback including smart search

with SuperLivePro you can play / recorded files from your DVR on your iphone anytime anywhere. it is including advance serch by Time,Event or file list



Setting

You can remotely control DVR system settings

Full access to your DVR setting



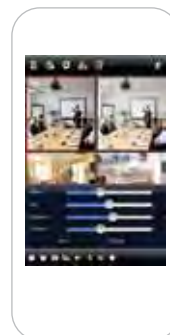
Servers list

Allows you to store a list of multi sites for easy access. including the site picture for your connivance



PTZ control

Take control from your mobile on your motorized PTZ cameras remotley



Color adjustment

Adjust video Colors, Brightness and more to achieve the best image quality

**HD-SDI
1080P**

4CH Q Real-Time

SA-4025SDI



Front Panel



Rear Panel



Specifications

MODEL		SA-4025SDI
System	Compression Format	Advanced H.264
	OS	Embedded Linux
Video	Input	4CH HD-SDI BNC
	Standard Output	VGA, CVBS
	Advanced Output	HDMI
Audio	Input	4CH
	Output	1CH
	Two Way Audio	No
Recording	Recording Format	4CH HD-SDI Quarter Real-Time
	HD-SDI	30FPS (NTSC)/25FPS (PAL)
	D1	No
	CIF	No
Recording Modes		Schedule, Manual, Motion, Sensor
Playback	Playback Channel	4CH
	Search Mode	Time, Event, File Management
Backup	USB	1 USB 2.0 Port
	DVD Burner	Optional
	Backup Format	AVI/DAT
Remote Application	Dual Stream	Master Stream 1-6/7FPS@1080P, Sub-Stream 1-6/7FPS@CIF
	Browser	IE, Chrome, Safari, Firefox (Mac OS, Windows XP/Vista/7/8)
	Master Stream in Network	Yes
	CMS	Yes
	3G	Super Live Pro HD for iPad/iPhone/Blackberry/Android/Symbian/Windows Mobile
User Access		10 Users Online with Professional Authority Management
Alarm	Input	4
	Output	1
Storage	HDD	2 SATA
	E-SATA	No
PTZ	Connection	1xRS-485
	Supported Protocols	Pelco D, Pelco P, Samsung, Visca, Lilin, Minking, Neon, Star, Vido, DSCP, RM110, HY
	Supported Controls	Pan, Tilt, Zoom, Preset, Cruise, Scan, Iris, Focus
Network	Ethernet	1000 Mbps (RJ-45)
	Protocol	TCP/IP, DHCP, DDNS, NTP, SMTP
Others	Dimention	W300xD260xH55mm
	IR Controller	Yes
	Power Supply	12V/4A
	Operation Temperature	0-50 C

**HD-SDI
1080P**

8CH Hybrid Real-Time

SA-8200D1SDI(4CH HDSDI+4CH D1)



Front Panel



Rear Panel



Specifications

MODEL		SA-8200D1SDI
System	Compression Format	Advanced H.264
	OS	Embedded Linux
Video	Input	4CH Standard BNC + 4CH HD-SDI BNC
	Standard Output	VGA, CVBS
	Advanced Output	HDMI, Spot
Audio	Input	4CH
	Output	1CH
	Two Way Audio	Yes
Recording	Real-Time Recording	4CH D1 + 4CH HD-SDI Real-Time
	HD-SDI	120FPS (NTSC)/100FPS (PAL)
	D1	120FPS (NTSC)/100FPS (PAL)
	CIF	120FPS (NTSC)/100FPS (PAL)
	Recording Modes	Schedule, Manual, Motion, Sensor
Playback	Playback Channel	4CH
	Search Mode	Time, Event, File Management
Backup	USB	1 USB 2.0 Port
	DVD Burner	Optional
	Backup Format	AVI/DAT
Remote Application	Dual Stream	Master Stream 1-25/30FPS@1080P/D1, Sub-Stream 1-25/30FPS@CIF
	Browser	IE, Chrome, Safari, Firefox (Mac OS, Windows XP/Vista/7/8)
	Master Stream in Network	Yes
	CMS	Yes
	3G	Super Live Pro HD for iPad/iPhone/Blackberry/Android/Symbian/Windows Mobile
User Access	10 Users Online with Professional Authority Management	
Alarm	Input	8
	Output	4
Storage	HDD	4 SATA
	E-SATA	2 E-SATA
PTZ	Connection	2xRS-485
	Supported Protocols	Pelco D, Pelco P, Samsung, Visca, Lilin, Minking, Neon, Star, Vido, DSCP, RM110, HY
	Supported Controls	Pan, Tilt, Zoom, Preset, Cruise, Scan, Iris, Focus
Network	Ethernet	1000 Mbps (RJ-45)
	Protocol	TCP/IP, DHCP, DDNS, NTP, SMTP
Others	Dimension	W550XD535XH155
	IR Controller	Yes
	Power Supply	100-240VAC
	Operation Temperature	0-50 C

**HD-SDI
1080P**

4CH Real-Time

SA-4100SDI



Front Panel



Rear Panel



Specifications

MODEL		SA-4100SDI
System	Compression Format	Baseline H.264
	OS	Embedded Linux
Video	Input	4CH HD-SDI BNC
	Standard Output	VGA, CVBS
	Advanced Output	HDMI, Spot
Audio	Audio Input	4CH
	Audio Output	1CH
	Two Way Audio	YES
Recording	Real Time Recording	4CH HD-SDI Real-Time
	HD-SDI	120FPS (NTSC)/100FPS (PAL)
	D1	No
	CIF	No
	Recording Mode	Schedule, Manual, Motion, Sensor
Playback	Playback Channel	16CH
	Search Mode	Time, Event, File Management
Backup	USB Disk	1 USB 2.0 port
	DVD Burner	Optional
	Backup Format	DAT or AVI
Remote Application	Dual Stream	Master Stream 1-25/30FPS@1080P, Sub-Stream 1-25/30FPS@CIF
	Browser	IE, Chrome, Safari, Firefox (Mac OS, Windows XP/Vista/7/8)
	CMS	YES
	3G	Super Live Pro HD for iPad/iPhone/Blackberry/Android/Symbian/Windows Mobile
Alarm	Alarm Input	4
	Alarm Output	1
Storage	HDD	3SATA
	e-SATA	NO
PTZ	PTZ	1*RS-485
	PTZ Protocol	Pelco D, Pelco P, Samsung, Visca, Lilin, Minking, Neon, Star, Vido, DSCP, RM110, HY
Network	Ethernet	1000 Mbps (RJ-45)
Others	Protocol	TCP/IP, DHCP, DDNS, NTP, SMTP
	Dimention	386*330*125
	IR Controller	Yes
	Power Supply	12v/4A
	Operating Temperature	0 C ~50 C

**HD-SDI
1080P**

8CH Half Real-Time

SA-8100SDI



Front Panel



Rear Panel



Specifications

MODEL		SA-8100SDI
System	Compression Format	High Profile H264
	OS	Embedded Linux
Video	Input	8CH HD-SDI BNC
	Standard Output	VGA, CVBS
	Advanced Output	HDMI
Audio	Input	4CH
	Output	1CH
	Two Way Audio	Yes
Recording	Real-Time Recording	8CH HD-SDI Half Real-Time
	HD-SDI	120FPS (NTSC)/100FPS (PAL)
	D1	No
	CIF	No
Playback	Recording Modes	Schedule, Manual, Motion, Sensor
	Playback Channel	4CH
Backup	Search Mode	Time, Event, File Management
	USB	1 USB 2.0 Port
	DVD Burner	Optional
Remote Application	Backup Format	AVI/DAT
	Dual Stream	Master Stream 1-12/15FPS@1080P, Sub-Stream 1-12/15FPS@CIF
	Browser	IE, Chrome, Safari, Firefox (Mac OS, Windows XP/Vista/7/8)
	Master Stream in Network	Yes
	CMS	Yes
Alarm	3G	Super Live Pro HD for iPad/iPhone/Blackberry/Android/Symbian/Windows Mobile
	User Access	10 Users Online with Professional Authority Management
Storage	HDD	1
	E-SATA	2 SATA
PTZ	HDD	No
	Connection	1xRS-485
	Supported Protocols	Pelco D, Pelco P, Samsung, Visca, Lilin, Minking, Neon, Star, Vido, DSCP, RM110, HY
Network	Supported Controls	Pan, Tilt, Zoom, Preset, Cruise, Scan, Iris, Focus
	Ethernet	1000 Mbps (RJ-45)
Others	Protocol	TCP/IP, DHCP, DDNS, NTP, SMTP
	Dimention	W430xD420xH90mm
	IR Controller	Yes
	Power Supply	12V/4A
	Operation Temperature	0-50 C

**HD-SDI
1080P**

8CH Real-Time

SA-8200SDI



Front Panel



Rear Panel



Specifications

MODEL		SA-8200SDI
System	Compression Format	High Profile H.264
	OS	Embedded Linux
Video	Input	8CH HD-SDI BNC
	Standard Output	VGA, CVBS
	Advanced Output	HDMI
Audio	Input	8CH
	Output	1CH
	Two Way Audio	Yes
Recording	Real-Time Recording	8CH HD-SDI Real-Time
	HD-SDI	240FPS (NTSC)/200FPS (PAL)
	D1	No
	CIF	No
	Recording Modes	Schedule, Manual, Motion, Sensor
Playback	Playback Channel	4CH
	Search Mode	Time, Event, File Management
Backup	USB	1 USB 2.0 Port
	DVD Burner	Optional
	Backup Format	AVI/DAT
Remote Application	Dual Stream	Master Stream 1-25/30FPS@1080P, Sub-Stream 1-25/30FPS@CIF
	Browser	IE, Chrome, Safari, Firefox (Mac OS, Windows XP/Vista/7/8)
	Master Stream in Network	Yes
	CMS	Yes
	3G	Super Live Pro HD for iPad/iPhone/Blackberry/Android/Symbian/Windows Mobile
User Access	10 Users Online with Professional Authority Management	
Alarm	Input	8
	Output	4
Storage	HDD	8 SATA
	E-SATA	2 E-SATA
PTZ	Connection	1xRS-485
	Supported Protocols	Pelco D, Pelco P, Samsung, Visca, Lilin, Minking, Neon, Star, Vido, DSCP, RM110, HY
	Supported Controls	Pan, Tilt, Zoom, Preset, Cruise, Scan, Iris, Focus
Network	Ethernet	1000 Mbps (RJ-45)
	Protocol	TCP/IP, DHCP, DDNS, NTP, SMTP
Others	Dimention	W550XD535XH155
	IR Controller	Yes
	Power Supply	100/220AC
	Operation Temperature	0-50 C

**HD-SDI
1080P**

16CH Half Real-Time

SA-16200SDI



Front Panel



Rear Panel



Specifications

MODEL		SA-16200SDI
System	Compression Format	High Profile H.264
	OS	Embedded Linux
Video	Input	16CH HD-SDI BNC
	Standard Output	VGA, CVBS
	Advanced Output	HDMI
Audio	Input	16CH
	Output	1CH
	Two Way Audio	Yes
Recording	Real-Time Recording	16CH HD-SDI Half Real-Time
	HD-SDI	240FPS (NTSC)/200FPS (PAL)
	D1	No
	CIF	No
Playback	Recording Modes	Schedule, Manual, Motion, Sensor
	Playback Channel	4CH
	Search Mode	Time, Event, File Management
Backup	USB	1 USB 2.0 Port
	DVD Burner	Optional
	Backup Format	AVI/DAT
Remote Application	Dual Stream	Master Stream 1-12/15FPS@1080P, Sub-Stream 1-12/15FPS@CIF
	Browser	IE, Chrome, Safari, Firefox (Mac OS, Windows XP/Vista/7/8)
	Master Stream in Network	Yes
	CMS	Yes
	3G	Super Live Pro HD for iPad/iPhone/Blackberry/Android/Symbian/Windows Mobile
Alarm	User Access	10 Users Online with Professional Authority Management
Alarm	Input	16
	Output	4
Storage	HDD	8 SATA
	E-SATA	2 E-SATA
PTZ	Connection	RS-485
	Supported Protocols	Pelco D, Pelco P, Samsung, Visca, Lilin, Minking, Neon, Star, Vido, DSCP, RM110, HY
	Supported Controls	Pan, Tilt, Zoom, Preset, Cruise, Scan, Iris, Focus
Network	Ethernet	1000 Mbps (RJ-45)
	Protocol	TCP/IP, DHCP, DDNS, NTP, SMTP
Others	Dimension	W550XD535XH155
	IR Controller	Yes
	Power Supply	100-240AC
	Operation Temperature	0-50 C

**HD-SDI
1080P**

16CH Real-Time

SA-16400SDI



Front Panel



Rear Panel



Specifications

MODEL		SA-16400SDI
System	Compression Format	High Profile H.264
	OS	Embedded Linux
Video	Input	16CH HD-SDI BNC
	Standard Output	VGA, CVBS
	Advanced Output	HDMI
Audio	Input	16
	Output	1
	Two Way Audio	Yes
Recording	Real-Time Recording	16CH HD-SDI Real-Time
	HD-SDI	480FPS (NTSC)/400FPS (PAL)
	D1	No
	CIF	No
Recording Modes		Schedule, Manual, Motion, Sensor
Playback	Playback Channel	4CH
	Search Mode	Time, Event, File Management
Backup	USB	1 USB 2.0 Port
	DVD Burner	Optional
	Backup Format	AVI/DAT
Remote Application	Dual Stream	Master Stream 1-25/30 FPS@1080P, Sub-Stream 1-25/30 FPS@CIF
	Browser	IE, Chrome, Safari, Firefox (Mac OS, Windows XP/Vista/7/8)
	Master Stream in Network	Yes
	CMS	Yes
	3G	Super Live Pro HD for iPad/iPhone/Blackberry/Android/Symbian/Windows Mobile
User Access		10 Users Online with Professional Authority Management
Alarm	Input	16
	Output	4
Storage	HDD	8 SATA
	E-SATA	2 E-SATA
PTZ	Connection	RS-485
	Supported Protocols	Pelco D, Pelco P, Samsung, Visca, Lilin, Minking, Neon, Star, Vido, DSCP, RM110, HY
	Supported Controls	Pan, Tilt, Zoom, Preset, Cruise, Scan, Iris, Focus
Network	Ethernet	1000Mbps (RJ-45)
	Protocol	TCP/IP, DHCP, DDNS, NTP, SMTP
Others	Dimension	W550XD535XH155
	IR Controller	Yes
	Power Supply	100-240AC
	Operation Temperature	0-50 C

960H

16CH Real-Time

SA-16400SH (2U)



Front Panel



Rear Panel



Specifications

MODEL		SA-16400SH(2U)
System	Compression Format	High Profile H.264
	OS	Embedded Linux
Video	Input	16CH Standard BNC
	Standard Output	VGA, CVBS
	Advanced Output	HDMI, Spot
Audio	Input	16CH
	Output	1CH
	Two Way Audio	Yes
Recording	Real-Time Recording	16CH 960H Real-Time
	HD-SDI	No
	960H	480FPS (NTSC)/400FPS (PAL)
	D1	480FPS (NTSC)/400FPS (PAL)
	CIF	480FPS (NTSC)/400FPS (PAL)
	Recording Modes	Schedule, Manual, Motion, Sensor
Playback	Playback Channel	16CH
	Search Mode	Time, Event, File Management
Backup	USB	1 USB 2.0 Port
	DVD Burner	Optional
	Backup Format	AVI/DAT
Remote Application	Dual Stream	Master Stream 1-25/30FPS@960H, Sub-Stream 1-25/30FPS@CIF
	Browser	IE, Chrome, Safari, Firefox (Mac OS, Windows XP/Vista/7/8)
	Master Stream in Network	Yes
	CMS	Yes
	3G	Super Live Pro HD for iPad/iPhone/Blackberry/Android/Symbian/Windows Mobile
	User Access	18 Users Online with Professional Authority Management
Alarm	Input	16
	Output	4
Storage	HDD	8 SATA
	E-SATA	1 E-SATA
PTZ	Connection	2xRS-485
	Supported Protocols	Pelco D, Pelco P, Samsung, Visca, Lilin, Minking, Neon, Star, Vido, DSCP, RM110, HY
	Supported Controls	Pan, Tilt, Zoom, Preset, Cruise, Scan, Iris, Focus
Network	Ethernet	1000 Mbps (RJ-45)
	Protocol	TCP/IP, DHCP, DDNS, NTP, SMTP
Others	Dimension	430*450*90
	IR Controller	Yes
	Power Supply	100-240AC
	Operation Temperature	0-50 C.

960H

32CH Real-Time

SA-32800SH



Front Panel



Rear Panel



Specifications

MODEL		SA-32800SH
System	Compression Format	Baseline H.264
	OS	Embedded Linux
Video	Input	32CH Standard BNC
	Standard Output	VGA, CVBS
	Advanced Output	HDMI Spot
Audio	Audio Input	16CH
	Audio Output	1CH
	Two way audio	YES
Recording	HD-SDI	NO
	D1(4CIF)	960(NTSC)/800(PAL)fps
	CIF	960(NTSC)/800(PAL)fps
	Recording Mode	Schedule, Manual, Motion, Sensor
Playback	Playback Channel	16CH
	Search Mode	Time, Event, File Management
Backup	USB Disk	1 USB2.0 port
	DVD Burner	Optional
	Backup Format	DAT or AVI
Remote Application	Dual Stream	Master stream: 1~25/30fps@CIF Network stream: 1~6/7fps@CIF
	Browser	IE (windows XP/2000/vista/7) , Safari(Mac OS)
	CMS	YES
	3G	Super Live pro HD for iPad/iPad2/iPhone/Blackberry/Android/Symbian/Windows mobile
	User Access	10 users online with professional authority management
Alarm	Alarm Input	16CH
	Alarm Output	4CH
Storage	HDD	8SATA
	E-SATA	1
PTZ	Connection	2*RS485
	Supported Protocol	PELCO, PELCOD, LILIN, MINKING, NEON, STAR, VIDO, DSCP, VISCA, SAMSUNG, RM110, HY
	Supported Controls	Pan, Tilt, Zoom, Preset, Cruise, Scan, Iris, Focus
Network	Ethernet	1,000 Mbps Ethernet (RJ-45)
	Protocol	TCP/IP, DHCP, DDNS, NTP, SMTP
Others	Dimension	430*450*90
	IR Controller	x1, with IR extension option
	Power Supply	100VAC ~ 240VAC
	Operating Temperature	0°C ~50°C

4CH Real-Time

SA-4100HDE+

SA-4100HDX+



Front Panel



Rear Panel



SA-4100HDX+

SPECIFICATIONS		MODEL	
		SA-4100HDE+	SA-4100HDX+
System	Compression Format	Baseline H.264	
	OS	Embedded Linux	
Video	Input	4CH,BNC(1.0Vp-p,75Ω)	
	Standard Output	VGA CVBS	
	Advanced Output	HDMI,Spot	
Audio	Audio Input	4CH	2CH
	Audio Output	1CH	
	Two Way Audio	YES	
Recording	Real Time Recording	4CH D1 Real time	
	HD-SDI	NO	
	D1	120(NTSC)/100(PAL)fps	
	CIF	120(NTSC)/100(PAL)fps	
	Recording Mode	Schedule ,Manual,Monition,Sensor	
Playback	Playback Channel	4CH	
	Search Mode	Time ,Event,File Mangement,Image(snapshot)	
Backup	USB Disk	1 USB 2.0 port	
	DVD Burner	Optional	
Remote Application	Backup Format	DAT or AVI	
	Dual Stream	Master stream :1~25/30fps@ CIF Network stream:1~12/15fps@CIF	
	Browser	IE(Windows XP /2000/vista/9),Safari(Mac OS)	
	CMS	YES	
	3G	Super Live pro/HD for iPad2/iPhone/Blackberry/Android/Symbian/Windows mobile	
Alarm	Alarm Input	4CH	NO
	Alarm Output	1CH	NO
Storage	HDD	1	
	e-SATA	NO	
PTZ	PTZ	1*RS485	
	PTZ Protocol	PELCOP,PELCOD,LILIN,MINKING,NEON,STAR,VIDO,DSCP,VISCA,SAMSUNG,RM110,HY	
Network	Ethernet	10/100 Mbps Ethernet (RJ-45)	
	Protocol	TCP/IP,DHCP,DDNS,NTP,SMTP	
Others	Dimension	W300xD260xH55mm	
	IR Controller	x1, with IR exstention option	
	Power Supply	DC 12V/2A	

4CH Surveillance Kit



4 Ch Home/Office small surveillance system for self installation

The perfect answer for keeping your family secure, protecting your assets against theft, or managing your staff and resources more effectively. This easy to install complete security kit has everything you need to setup a secure home or business. Surveillance can be handled remotely worldwide.

Kit Content

- 4 Channel H.264 DVR Standalone (SA-4100HDX+)
- 4 x IR Outdoor/Indoor camera with 3 Axis Bracket
- 2 x 10 + 2 x 20 meter cable
- 1 x DVR power supply
- 1 x Camera power supply 3.5Am
- USB mouse
- Remote control



8/16CH Real-Time

SA-8200HD+(1U)
SA-16400HD+ (1U)



Front Panel



Rear Panel



SA-16400HD+(1U)

Specifications

MODEL		SA-8200HD+(1U)	SA-16400HD+(1U)
System	Compression Format	Advanced H.264	
	OS	Embedded Linux	
Video	Input	8CH,BNC(1.0Vp-p,75Ω)	16CH,BNC(1.0Vp-p,75Ω)
	Standard Output	VGA	
	Advanced Output	HDMI,Spot	
Audio	Audio Input	4CH	
	Audio Output	1CH	
	Two Way Audio	YES	
Recording	Real Time Recording	8CH D1 real time	16CH D1 real time
	HDSDI	NO	
	D1(4CIF)	240(NTSC)/200(PAL)fps	480(NTSC)/400(PAL)fps
	CIF	240(NTSC)/200(PAL)fps	480(NTSC)/400(PAL)fps
Playback	Recording Mode	Schedule,Manual,Motion,Sensor	
	Playback Channel	8CH	16CH
	Search Mode	Time ,Event,File Mangement, Image(snapshot)	
Backup	USB Disk	1 USB 2.0 port	
	DVD Burner	Optional	
Remote Application	Backup Format	DAT or AVI	
	Dual Stream	Master stream :1~25/30fps@CIF Network stream:1~6/7fps@CIF	
	Browser	IE(Windows XP /2000/vista/9),Safari(Mac OS)	
	CMS	YES	
Alarm	3C	Super Live pro HD for iPad2/iPhone/Blackberry/Android/Symbian/Windows mobile	
	Alarm Input	8CH	16CH
Storage	Alarm Output	1CH	
	HDD	2SATA	
PTZ	e-SATA	NO	
	PTZ	1*RS485	
Network	PTZ Protocol	PELCOP,PELCOD,LILIN,MINKING,NEON,STAR,VIDO,DSCP,VISCA,SAMSUNG,RM110,HY	
	Ethernet	1,000 Mbps Ethernet (RJ-45)	
Others	Protocol	TCP/IP,DHCP,DDNS,NTP,SMTP	
	Dimention	W430xD300xH55mm	
	IR Controller	1 with IR extention option	
	Power Supply	DC 12V/4A	
	Operating Temperature	0 C ~50 C	

8/16CH Real-Time

SA-8200N+(4CH D1+4CH CIF)
SA-16400N+



Front Panel



Rear Panel



SA-8200N+

Specifications

MODEL		SA-8200N+	SA-16400N+
System	Compression Format	Baseline H.264	
	OS	Embedded Linux	
Video	Input	8CH Standard BNC	16CH Standard BNC
	Standard Output	BNC Mainout VGA	
	Advanced Output	Spot,HDMI	
Audio	Audio Input	4CH	
	Audio Output	1CH	
	Two way audio	YES	
Recording	Real Time Recording	4CH D1+4CH CIF real time	16CH CIF real time
	HD-SDI	NO	
	D1(4CIF)	120(NTSC)/100(PAL)fps	
Playback	CIF	240(NTSC)/200(PAL)fps	480(NTSC)/400(PAL)fps
	Recording Mode	Schedule,Manual,Motion,Sensor	
Backup	Playback Channel	8CH	16CH
	Search Mode	Time ,Event,File Mangement	
	USB Disk	1 USB 2.0 port	
Remote Application	DVD Burner	NO	
	Backup Format	DAT or AVI	
	Dual Stream	Master stream :1~25/30fps@4CIF/CIF Network stream:12/15fps@CIF	
	Browser	IE(Windows XP /2000/vista/9),Safari(Mac OS)	
	Master Stream in Network	YES	
	CMS	YES	
	3C	Super Live Pro HD for iPad2/iPhone/Blackberry/Android/Symbian/Windows mobile	
User Access	10 users online with professional authority management		
Alarm	Alarm Input	8CH	16CH
	Alarm Output	1CH	
Storage	HDD	1SATA-3TB	
	E-SATA	NO	
PTZ	PTZ	1*RS485	
	PTZ Protocol	PELCOP,PELCOD,LILIN,MINKING,NEON,STAR,VIDO,DSCP,VISCA,SAMSUNG,RM110,HY	
	PTZ Control	pan,tilt,zoom,preset,cruise,trace	
Network	Ethernet	10/100 Mbps Ethernet (RJ-45)	
	Protocol	TCP/IP,DHCP,DDNS,NTP,SMTP	
Others	Dimention	W300xD260xH55mm	
	IR Controller	x1, with IR exstention option	
	Power Supply	DC 12V/2A	

16CH Real-Time

SA-16400NE+(4CH D1+12CH CIF)



Front Panel



Rear Panel



SA-16400NE+

Specifications

MODEL		SA-16400NE+(4CH D1+12CH CIF)
System	Compression Format	Baseline H.264
	OS	Embedded Linux
Video	Input	16CH Standard BNC
	Standard Output	VGA,CVBS
	Advanced Output	HDMI,spot
Audio	Audio Input	4CH
	Audio Output	1CH
	Two way audio	YES
Recording	Real Time Recording	4CH D1+12CH CIF Real Time
	HD-SDI	NO
	D1	120(NTSC)/100(PAL)fps
	CIF	480(NTSC)/400(PAL)fps
	Recording Mode	Schedule,Manual,Motion,Sensor
Playback	Playback Channel	16CH
	Search Mode	Time ,Event,File Mangement
Backup	USB Disk	1 USB 2.0 port
	DVD Burner	Optional
	Backup Format	DAT or AVI
Remote Application	Dual Stream	Master stream :1~25/30fps@CIF Network stream:1~6/7fps@CIF
	Browser	IE(Windows XP /2000/vista/9),Safari(Mac OS)
	Master Stream in Network	NO
	CMS	YES
	3G	Super Live pro HD for iPad/iPad2/iPhone/Blackberry/Android/Symbian/Windows mobile
	User Access	18 users online with professional authority management
Alarm	Alarm Input	16CH
	Alarm Output	1CH
Storage	HDD	2SATA
	E-SATA	NO
PTZ	PTZ	1*RS485
	PTZ Protocol	PELCOP,PELCOD,LILIN,MINKING,NEON,STAR,VIDO,DSCP,VISCA,SAMSUNG,RM110,HY
	PTZ Control	Pan, Tilt, Zoom, Preset, Cruise, Scan, Iris, Focus
Network	Ethernet	1000 Mbps Ethernet (RJ-45)
	Protocol	TCP/IP,DHCP,DDNS,NTP,SMTP
Others	Dimention	430*400*55
	IR Controller	x1, with IR exstention option
	Power Supply	DC 12V/4A
	Operation Temperature	0-50 C

24CH Real-Time

SA-24600



Front Panel



Rear Panel



Specifications

MODEL		SA-24600
System	Compression Format	Baseline H.264
	OS	Embedded Linux
Video	Input	24CH, Standard BNC
	Standard Output	VGA, CVBS
Audio	Audio Input	4CH
	Audio Output	1CH
	Two way audio	YES
Recording	Real Time Recording	24CH CIF Real Time
	HD-SDI	NO
	D1	NO
	CIF	720(NTSC)/600(PAL)fps
	Recording Mode	Schedule, Manual, Motion, Sensor
Playback	Playback Channel	16CH
	Search Mode	Time, Event, File Mangement
Backup	USB Disk	1 USB 2.0 port
	DVD Burner	Optional
	Backup Format	DAT or AVI
Remote Application	Dual Stream	Master stream :1-25/30fps@CIF Network stream:1-6/7fps@CIF
	Browser	IE(Windows XP /2000/vista/9), Safari(Mac OS)
	Master Stream in Network	NO
	CMS	YES
	3C	Super Live pro HD for iPad/iPad2/iPhone/Blackberry/Android/Symbian/Windows mobile
	User Access	18 users online with professional authority management
Alarr	Alarm Input	16CH
	Alarm Output	1CH
Storage	HDD	2SATA
	E-SATA	NO
PTZ	PTZ	2*RS485
	PTZ Protocol	PELCOP, PELCOD, LILIN, MINKING, NEON, STAR, VIDO, DSCP, VISCA, SAMSUNG, RM110, HY
	PTZ Control	Pan, Tilt, Zoom, Preset, Cruise, Scan, Iris, Focus
Network	Ethernet	1000 Mbps Ethernet (RJ-45)
	Protocol	TCP/IP, DHCP, DDNS, NTP, SMTP
Others	Dimention	W430xD420xH90mm
	IR Controller	x1, with IR exstention option
	Power Supply	DC 12V/4A
	Operating Temperature	0-50 C

32CH Real-Time

SA-32800(4CHD1+28CH CIF)



Front Panel



Rear Panel



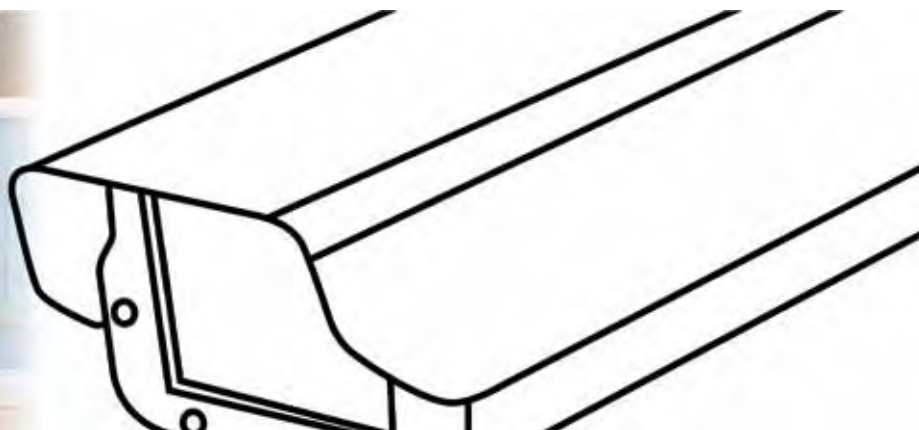
Specifications

MODEL		SA-32800(4CHD1+28CH CIF)
System	Compression Format	Baseline H.264
	OS	Embedded Linux
Video	Input	32CH Standard BNC
	Standard Output	VGA, CVBS
	Advanced Output	HDMI Spot
Audio	Audio Input	16CH
	Audio Output	1CH
	Two way audio	YES
Recording	HD-SDI	NO
	D1(4CIF)	310(NTSC)/260(PAL)fps
	CIF	960(NTSC)/800(PAL)fps
	Recording Mode	Schedule, Manual, Motion, Sensor
Playback	Playback Channel	16CH
	Search Mode	Time, Event, File Management
Backup	USB Disk	1 USB2.0 port
	DVD Burner	Optional
	Backup Format	DAT or AVI
Remote Application	Dual Stream	Master stream: 1~25/30fps@CIF Network stream: 1~6/7fps@CIF
	Browser	IE (windows XP/2000/vista/7) , Safari(Mac OS)
	CMS	YES
	3G	Super Live pro HD for iPad/iPad2/iPhone/Blackberry/Android/Symbian/Windows mobile
	User Access	10 users online with professional authority management
Alarm	Alarm Input	16CH
	Alarm Output	4CH
Storage	HDD	8SATA
	E-SATA	2
PTZ	Connection	2*RS485
	Supported Protocol	PELCO, PELCOD, LILIN, MINKING, NEON, STAR, VIDO, DSCP, VISCA, SAMSUNG, RM110, HY
	Supported Controls	Pan, Tilt, Zoom, Preset, Cruise, Scan, Iris, Focus
Network	Ethernet	1,000 Mbps Ethernet (RJ-45)
	Protocol	TCP/IP, DHCP, DDNS, NTP, SMTP
Others	Dimension	430*450*90
	IR Controller	x1, with IR extension option
	Power Supply	100VAC ~ 240VAC
	Operating Temperature	0°C ~50°C

DVR's Compare Table



MODELS	4CH					8CH					16CH					24CH	32CH		
	SA-4100HDE+	SA-4100HDX+	SA-4100HD(1U)	SA-4025SDI	SA-4100SDI (1U)	SA-8200N+	SA-8200HD+ (1U)	SA-8200D1SDI	SA-8100SDI (1U)	SA-8200SDI	SA-16400N+	SA-16400NE+	SA-16400HD+ (1U)	SA-16400SH (2U)	SA-16200SDI	SA-16400SDI	SA-24600	SA-32800	SA-32800SH
Format	D1	D1	D1	HD-SDI	SDI 1080P	D1 + CIF	D1	HD-SDI + D1	SDI 1080P	SDI 1080P	CIF	D1 + CIF	D1	960H	SDI 1080P	SDI 1080P	CIF	D1* + CIF	960H
Number of Inputs	4	4	4	4	4	4 D1 + 4 CIF	8	4 SDI + 4 D1	8	8	16	4 D1 + 12 CIF	16	16	16	16	24	4 D1* + 28 CIF	32
Playback Channels	4	4	4	4	4	8	8	4	8	4	16	16	16	16	4	4	16	16	16
Remote Playback Channels	4	4	4	1	1	4	4	1	1	1	4	16	4	16	1	1	4	16	4
Live Preview While Playback	No	No	Yes	No	No	No	Yes	No	No	No	Yes	Yes	Yes	No	No	No	Yes	No	Yes (4CH)
Loop	No	No	No	No	No	No	No	4	No	No	No	No	No	16	No	No	No	32	32
Image Capture	Yes	Yes	Yes	Yes	Yes	Yes	Yes	Yes	Yes	Yes	Yes	Yes	Yes	Yes	Yes	Yes	Yes	Yes	Yes
Output Type	CVBS, VGA, HDMI, Spot	CVBS, VGA, HDMI	CVBS, VGA, HDMI, Spot	CVBS, VGA, HDMI	CVBS, VGA, HDMI	CVBS, VGA, HDMI, Spot	CVBS, VGA, HDMI, Spot	CVBS, VGA, HDMI, Spot	CVBS, VGA, HDMI	CVBS, VGA, HDMI	CVBS, VGA, HDMI, Spot	CVBS, Spot, VGA, HDMI	CVBS, Spot, VGA, HDMI	CVBS, Spot, VGA, HDMI	CVBS, VGA, HDMI	CVBS, VGA, HDMI	CVBS, Spot, VGA	CVBS, Spot, VGA, HDMI	CVBS, Spot, VGA, HDMI
Dual Display	YES	YES	No	Yes	Yes	Yes	Yes	Yes	Yes	Yes	YES	No	Yes	YES	Yes	Yes	No	No	Yes
Case	Small 1U	small 1U	1U	1U	1U	Small 1U	1U	2U	1U	2U	Small 1U	1U	1U	2U	2U	2U	1U	2U	2U
Audio Input	4	2	4	4	4	4	4	4	4	8	4	4	4	16	16	16	4	16	16
Audio Output	1	1	1	1	1	1	1	1	1	1	1	1	1	1	1	1	1	1	1
Two Way Audio	Yes	Yes	Yes	No	Yes	Yes	Yes	No	Yes	Yes	Yes	Yes	Yes	Yes	Yes	Yes	Yes	Yes	Yes
Mic In	No	No	No	No	Yes	No	No	No	No	Yes	No	No	No	Yes	Yes	Yes	No	1	Yes
Alarm In	4	No	4	4	4	8	8	8	4	8	16	16	16	16	16	16	16	16	16
Alarm Out	1	No	1	1	4	1	1	4	1	4CH	1	1	1	4	4	4	1	4	4
PTZ Control	RS485	RS485	RS485	RS485	RS485	RS485	RS485	RS485 X2	RS485	RS485	RS485	RS485 X2	RS485	RS485x2	RS485	RS485	RS485 X2	RS485 X2	RS485
Recording CIF	100/120 FPS (Total)	100/120 FPS (Total)	100/120 FPS (Total)	No	No	200/240 FPS (Total)	200/240 FPS (Total)	No	No	No	400/480 FPS (Total)	400/480 FPS (Total)	400/480 FPS (Total)	400/480 FPS (Total)	No	No	600/720 FPS (Total)	800/960 FPS (Total)	800(PAL)/960fps(NTSC)
Recording Channels CIF	4ch @ 25/30 FPS	4ch @ 25/30 FPS	4ch @ 25/30 FPS	No	No	8ch @ 25/30 FPS	8ch @ 25/30 FPS	No	No	No	16ch @ 25/30 FPS	16ch @ 25/30 FPS	16ch @ 25/30 FPS	16ch @ 25/30 FPS	No	No	24ch @ 25/30 FPS	32ch @ 25/30 FPS	32ch @ 25/30 FPS
Recording D1	100/120 FPS (Total)	100/120 FPS (Total)	100/120 FPS (Total)	No	No	100/120 FPS (Total)	200/240 FPS (Total)	100/120 FPS (Total)	No	No	100/120 FPS (Total)	172/204 FPS (Total)	400/480 FPS (Total)	400/480 FPS (Total)	No	No	No	260/310 FPS (Total)	800(PAL)/960fps(NTSC)
Recording Channels D1	4ch @ 25/30 FPS	4ch @ 25/30 FPS	4ch @ 25/30 FPS	No	No	4ch @ 25/30 FPS + 4ch @ 6/7 FPS	8ch @ 25/30 FPS	4ch @ 25/30 FPS	No	No	16ch @ 6/7 FPS	4ch @ 25/30 FPS + 12ch @ 6/7 FPS	16ch @ 25/30 FPS	16ch @ 25/30 FPS	No	No	No	4ch @ 25/30 FPS + 28ch @ 6/7 FPS	32ch @ 25/30 FPS
Recording 1080P	No	No	No	25/30 FPS (Total)	100/120 FPS (Total)	No	No	100/120 FPS (Total)	100/120 FPS (Total)	200/240 FPS (Total)	No	No	No	FPS (Total)	400/480 FPS (Total)	No	No	No	800(PAL)/960fps(NTSC)
Recording Channels 1080P	No	No	No	4ch @ 6/7 FPS	4ch @ 25/30 FPS	No	No	4ch @ 25/30 FPS	4ch @ 12/15 FPS	4ch @ 25/30 FPS	No	No	No	16ch @ 12/15 FPS	16ch @ 25/30 FPS	No	No	No	32ch @ 25/30 FPS
H.264 Compression	Baseline	Baseline	Baseline	Advanced	High profile	Baseline	Advanced	Advanced	High profile	High profile	Baseline	Baseline	Advanced	High profile	High profile	High Profile	Baseline	Baseline	High profile
HDD	1 (3TB)	1 (3TB)	2 (2TB)	3 (2TB)	2 (3TB)	1 (3TB)	2 (2TB)	4 (2TB)	2 (3TB)	8 (3TB)	1 (3TB Max)	2 (3TB)	2 (3TB)	8 (3TB)	8 (3TB)	3 (2TB)	8 (2TB)	8 (2TB)	8 (3TB HDD)
HDD USB Port	1	1	1	1	1	1	1	1	1	1	1	1	1	1	1	1	1	1	1
E-SATA	No	No	No	No	No	No	No	2	No	2	No	No	No	1	2	2	No	2	1
Ethernet	100Mbps	100Mbps	1000 Mbps	1000 Mbps	1000 Mbps	100 Mbps	1000 Mbps	1000 Mbps	1000Mbps	1000 Mbps	100M	1000 Mbps	1000 Mbps	1000M	1000Mbps	1000Mbps	1000 Mbps	1000 Mbps	1000 Mbps
DVD Burner	No	No	Optional	Optional	Optional	No	Optional	Optional	Optional	Optional	No	Optional	Optional	Optional	Optional	Optional	Optional	Optional	Optional
Master Stream	25/30fps@CIF	25/30fps@CIF	1-25/30 FPS @CIF	1-6/7 FPS @1080P	25/30fps 1080P	1-25/30 FPS @CIF	1-25/30 FPS @CIF	1-25/30 FPS @1080P	12/15Fps@1080P	1-25/30 FPS @1080P	1-25/30 FPS @CIF	1-25/30 FPS @CIF	1-25/30 FPS @CIF	1~25/30fps@960H	12/15fps@1080P	1-25/30 FPS @1080P	1-25/30 FPS @CIF	1-25/30 FPS @CIF	25/30fps@960H
Network Stream	12/15fps @CIF	12/15fps @CIF	1-12/15 FPS@CIF	1-25/30 FPS @CIF	25/30fps @CIF	12/15FPS@CIF	1-25/30 FPS @CIF	1-25/30 FPS @CIF	12/15Fps@CIF	1-25/30 FPS@CIF	12/15Fps@CIF	1-6/7 FPS@CIF	1-25/30 FPS @CIF	1~25/30fps@CIF	12/15Fps@CIF	1-25/30 FPS @CIF	1-6/7 FPS@CIF	1-6/7 FPS@CIF	25/30fps@CIF
Max Simultaneous Users	10	10	10	10	10	10	10	10	10	10	18	18	18	18	10	10	10	10	10
IR Remote	Yes	Yes	Yes	Yes	Yes	Yes	Yes	Yes	Yes	Yes	Yes	Yes	Yes	Yes	Yes	Yes	Yes	Yes	Yes
IR Extention	Optional	Optional	Optional	Optional	Optional	Optional	Optional	Optional	Optional	Optional	Optional	Optional	Optional	No	Optional	Optional	Optional	Optional	Optional
Mouse	Yes	Yes	Yes	Yes	Yes	Yes	Yes	Yes	Yes	Yes	Yes	Yes	Yes	Yes	Yes	Yes	Yes	Yes	Yes
Power Supply	DC 12V/2A	12V/2A	DC 12V/4A	DC 12V/4A	12V 4A	12V/2A	DC 12V/4A	100-240 VAC	DC 12V/4A	100-240 VAC	12V/2A	DC 12V/4A	DC 12V/4A	100-240 VAC	100-240 VAC	100-240 VAC	DC 12V/5A	100-240 VAC	100-240V AC



In line with our vision of creating a one-stop-shop for the entire range of CCTV products for our clients, we have created a full range of CCTV accessories to fit all types of CCTV installations. All Provision ISR CCTV accessories are tested to ensure the highest quality, as we perfectly understand the importance of reliable CCTV accessories.



LENSES

Provision-ISR's lens range includes Standard resolution lenses used with analog cameras of up to 700TVL; 2 Mega-Pixel Lenses designed for HD-SDI cameras. All Provision-ISR lenses use specially designed, advanced optical mechanisms and offer outstanding performance at affordable cost.



MONITORS

A complete range of 7", 9" and 10" LCD monitors for different CCTV applications, including door-phone monitors, installers' monitors, etc.. The monitors' range includes:
Analog monitors with standard resolution ; Digital monitors with high resolution and VGA interface.



POWER SUPPLIES

Provision-ISR 9 and 16-Channels Power Supplies are dedicated CCTV solutions. Our power supplies are specifically designed for CCTV according to the special needs of CCTV installations. The products are safe, friendlier and much more efficient than standard power supplies.



ACCESSORIES

A complete range of accessories for support of CCTV installations including:
Camera housing and brackets ; UTP video baluns ; Multiplexers , And more.

P105 LENSES

P107 MONITORS

P108 POWER SUPPLY

P109 ACCESORIES for CCTV

LENSES

Auto Iris Lens




02812DV				
	Focal Length	2.8 ~ 12mm	Mount/Flange Back	CS/M25.4X0.79
	Max. Aperture Rate	1:1.4	Iris Control	Direct Drive
	Image Format Cover	1/3"	Back Focal Length	.
	Angle of View	D	93.95° ~ 28.07°	Temperature
H		87.66° ~ 22.62°	Dimension(W)	45.6×47×71.6mm
V		65.47° ~ 17.06°	Weight	116g
Supply Voltage	DC6 ~ 12V			
0358DV				
	Focal Length	3.5 ~ 8mm	Mount/Flange Back	CS/M25.4X0.79
	Max. Aperture Rate	1:1.4	Iris Control	Direct Drive
	Image Format Cover	1/3"	Back Focal Length	8.2 ~ 12.9mm
	Angle of View	D	81.20° ~ 41.10°	Temperature
H		68.88° ~ 33.40°	Dimension(W)	34.5×43×45.7mm
V		54.43° ~ 25.36°	Weight	60g
Supply Voltage	DC6 ~ 12V			
0615DV				
	Focal Length	6 ~ 15mm	Mount/Flange Back	CS/M25.4X0.79
	Max. Aperture Rate	1:1.4	Iris Control	Direct Drive
	Image Format Cover	1/3"	Back Focal Length	12.2 ~ 19.5mm
	Angle of View	D	53.13° ~ 22.62°	Temperature
H		43.60° ~ 18.18°	Dimension(W)	38×43.6×61mm
V		33.40° ~ 13.69°	Weight	89g
Supply Voltage	DC6 ~ 12V			
0550DV				
	Focal Length	5 ~ 50mm	Mount/Flange Back	CS/M25.4X0.79
	Max. Aperture Rate	1:1.4	Iris Control	Direct Drive
	Image Format Cover	1/3"	Back Focal Length	10 ~ 12.5mm
	Angle of View	D	61.93° ~ 6.87°	Temperature
H		51.28° ~ 5.49°	Dimension(W)	41×47×75.9mm
V		39.6° ~ 4.12°	Weight	165g
Supply Voltage	DC6 ~ 12V			
05100DV				
	Focal Length	5 ~ 100mm	Mount/Flange Back	CS/M25.4X0.79
	Max. Aperture Rate	1:1.8	Iris Control	Direct Drive
	Image Format Cover	1/3"	Back Focal Length	6.6 ~ 8.3mm
	Angle of View	D	61.93° ~ 3.44°	Temperature
H		51.28° ~ 2.75°	Dimension(W)	84.5×48×48.5mm
V		39.6° ~ 2.06°	Weight	203.5g
Supply Voltage	DC6 ~ 12V			


Lenses

2 Mega-Pixel Lens



Manual Iris Lens

0308DCMP				
	Focal Length	3-8mm	Mount/Flange Back	CS/M25.4X0.79
	Max. Aperture Rate	1:1.4	Iris Control	Direct Drive
	Image Format Cover	1/2.7"	Back Focal Length	6.39mm
	Angle of View	D	-	Operating Temperature
H		92.5° ~ 35.4°	Dimension	33.2×45.2×42.1mm
V		-	Weight	60g
Supply Voltage	DC6 ~ 12V	Remark	IR & 2.0MP	

02812DCMP				
	Focal Length	2.8-12mm	Mount/Flange Back	CS/M25.4X0.79
	Max. Aperture Rate	1:1.4	Iris Control	Direct Drive
	Image Format Cover	1/2.7"	Back Focal Length	6.39mm
	Angle of View	D	-	Operating Temperature
H		92.5° ~ 35.4°	Dimension	33.2×45.2×42.1mm
V		-	Weight	62g
Supply Voltage	DC6 ~ 12V	Remark	IR & 2.0MP	

MONITORS

7"/9" TFT MONITORS

ULTRA THIN



TOUCH BUTTON



V1/V2 INPUT



REAL TFT



PAL/NTSC

Ultra Thin Design Touch Button High Resolution 2CH Video In PAL/NTSC System

TFT Analog Panel Monitor

7" 9"

Model	PR-TFT7A	PR-TFT9A
Resolution(RGB)	480x234	640X234
TV System	PAL / NTSC	
Power Supply	DC 12V, 0.5A	
Video Input	1VP-P 75 Ω	
Work Temperature	-10℃ -- 60℃	
Viewing Angle	65 / 65 / 65 / 50 (L / R / U / D)	
Contrast Ratio	300:1	
Brightness	250CD/m ²	300CD/m ²
Weight	0.4kg	0.45kg
Size(W*H*T)mm	177x117x15	220x140x16

TFT Digital Panel Monitor

7" 9"

Model	PR-TFT7D	PR-TFT9D
Resolution(RGB)	800x480	800x480
TV System	PAL / NTSC	
Power Supply	DC 12V, 0.5A	
Video Input	1VP-P 75 Ω	
Work Temperature	-10℃ -- 60℃	
Viewing Angle	65 / 65 / 65 / 50 (L / R / U / D)	
Contrast Ratio	300:1	
Brightness	250CD/m ²	300CD/m ²
Weight	0.4kg	0.45kg
Size(W*H*T)mm	177x117x15	220x140x16

POWER SUPPLY

9Ch/16Ch Power Supply Features

- High efficiency and environmental friendly design
- Optimal design for easy installation
- Extra stable power signal to support clear images
- Over-current protection
- Output over-voltage protection
- Short circuit protection

MODEL	PR-10A9CH	PR-12A16CH
Description	DC12V 10Amp 9way cctv Power Supply	DC12V 12Amp 16way cctv power supply
Input Voltage	AC100-240V	AC100-240V
Frequency	50-60HZ	50-60HZ
Output Voltage	DC12V	DC12V
Output Current	10Amp	12Amp
Output Volt-Regulation Precior	DC12-14V	DC12-14V
Over Current Protection	11A ±5%	14A±5%
Ripple & Noise	≤ 50MA	≤ 50MA
Efficiency	≥ 85%	≥ 85%
Dimensions	200 x 202 x 50mm	205 x 305 x 50mm
Weight	1.4 Kg	2.2 Kg

PR-10A9CH

- 9CH
- DC12V
- 10 Amp



PR-12A16CH

- 16CH
- DC12V
- 12 Amp



Indicator LEC

Protection Lock



110V-220V
Selectable

Voltage
Adjustment

Auto-recovery
Fuse

1 part PCB



Accessories for CCTV



Housing

- CCTV Camera Housing



Brackets

- Universal camera brackets



Connectors



UTP Baluns

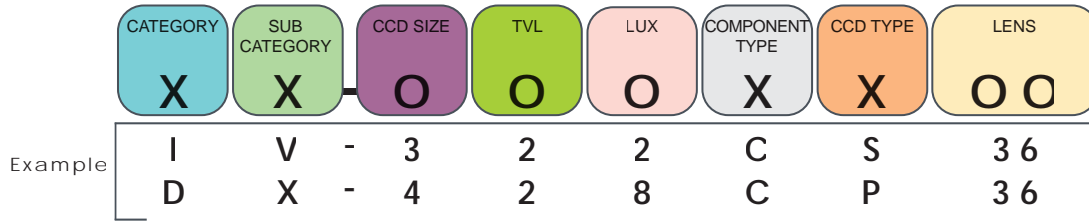
- Video Transmission
- Power Transmissior
- Data Transmission



Multiplexers

- 4/8/16 Multiplexers

MODEL KEY



Category

Symbol	Description
B	Body
D	Dome
M	Mini
I	Infra
C	Card
PI	Indoor PTZ
PZ	Outdoor PTZ

LUX

Symbol	Description
1	Below-0.009
2	0.01-0.1
3	0.11-0.3
4	0.4
5	0.5
8	0.8
9	1

Sub-Category

Symbol	Description
X	No subcategory
I	Infra Red (IR)
C	Pinhole cone shape
A	Anti Vandal
Z	Zoom
S	Smoke detector
V	Volume detector
F	Fire sprinkler
L	Spotlight shape
P	Pipe
D	Door
W	Wire
1	IR 10-20m
2	IR 20-30m
3	IR 30-40m
4	IR 40-50m

Component Type

Symbol	Description
C	Color CCD
M	Cmos
B	B/W CCD
UV	UltraVision

CCD Type

Symbol	Description
S	Sony
X	Sony ex-view
P	Sharp

CCD Size

Symbol	Description
2	1/2"
3	1/3"
4	1/4"

Lens

Symbol	Description
25	2.5mm
36	3.6mm
04	4mm
43	4.3mm
06	6mm
08	8mm
12	12mm
16	16mm
VF	Vari-focal
AS	Auto Sync. Focus

TVL

Symbol	Description
1	380 TVL
2	420 TVL
3	480 TVL
4	520 TVL
5	540 TVL
6	600 TVL
7	650TVL



Now you can see!

Headquarters Offices:

11 Atir Yeda St, Kfar Saba, Israel

Postal Code: 44425

Tel: (972-9) 741 7511

Fax:(972-9) 745 7182

China Office & Warehouse

101, Block B, Shengfa Building,

23 Yanshan Road, Shekou, Shenzhen

Postal Code: 518067

Tel: (86) 755 2686 1420

Fax: (86) 755 2602 8430

 **Website:** www.provision-isr.com

 **E-mail:** sales@provision-isr.com

 **MSN:** sales@provision-isr.com

 **Skype:** [provision-isr](https://www.skype.com/people/provision-isr)
