

IP Smart Sight - Active Deterrence Cameras

Provision-ISR SMART-SIGHT Series includes high-performance AI CAMERAS designed for specific purposes and applications. The devices' components (from the sensor to the optics, CPU, and lighting) were specially selected to deliver the most accurate AI results.



DI-340AD-MVF

40M IR 4MP ACTIVE DETERRENCE MOTORIZED LENS DOME/TURRET CAMERA

Active deterrence cameras are designed to deter unwanted visitors by activating visual and audio alerts. Equipped with a 2.8-12mm motorized lens, this 4MP Dome/Turret camera is intended for medium-distance surveillance (up to 40m) in indoor and outdoor scenarios. The camera offers outstanding DDA Analytics (Detect, Distinguish, Alert), which can perform object recognition. With various detection rules and triggers, the DI-340AD-MVF camera will let unwanted visitors know that their presence is known and being monitored.

4MP Resolution	IP66 Protection rating	3 Axis
40m IR IR View 0 Lux	DC12V POE Power supply	Built-in Speaker
Audio IN	Built-in microphone	SD card



DDA
VIDEO ANALYTICS

MAIN FEATURES

- 4MP 2592×1520 Resolution
- Active Deterrence
- 2.8-12mm Motorized Vari-Focal (94.2°-29.8°)
- 3D-DNR
- IP66
- DDA Analytics
- Audio in + Built-in microphone and speaker
- Red/Blue Strobe Light

ANALYTICS

- General Analytics: Camera Tampering
- AI (Object Recognition): Humans, 2/4 wheel vehicles
DDA Sterile Area
DDA Line Crossing



SPECIFICATIONS

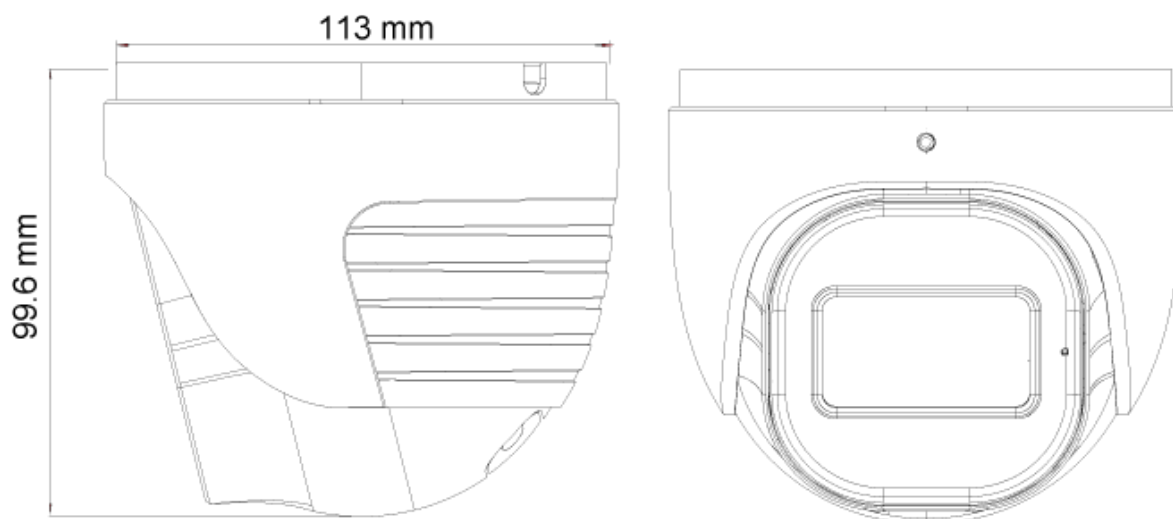
Image Sensor	1/3" CMOS (16:9)
Effective Pixels	2592X1520
Electronic Shutter	1/25s ~ 1/100000s
Frame Rate	1-25/30FPS in Normal Mode. 1-50/60FPS in HFR Mode*
Day & Night	ICR
Min. Illumination	Day: 0.1lux / Night: 0.005lux (@F1.6, AGC on) 0lux with IR on
Audio compression	G.711A/G.711U
Communication	Two-way Audio
Image Settings	AWB, AGC Adjustable, Exposure Mode (Auto) Sharpness, Saturation, Brightness & Contrast Adjustable
Image Enhancement	True WDR (120dB), BLC, HLC, ROI
Noise Reduction	3D-DNR
Image Orientation	Mirror/Flip
Privacy Zone	Yes
Motion Detection	Yes
Analytics	Object Recognition (Sterile Area, Line Crossing), Camera Tampering
Video Compression	H.265+/H.264+/H.265/H.264/MJPEG
Resolution	4MP / 2K / 3MP / 2MP / 1MP / D1 / QVGA / CIF
Multi-Stream	Master Stream: 4MP(2592x1520) / 2K (2560x1440) / 3MP / 2MP / 1MP Substream: 1MP/QVGA/D1/CIF Third Stream: QVGA/D1/CIF (1~30fps)
Bit rate	64Kbps ~ 7Mbps@H.265 / 64Kbps ~ 8Mbps@H.264
Encode Mode	VBR/CBR
Image Quality	Five levels under VBR; Free adjustment under CBR
IR Distance	40m (2 High-Power IR LED) Red/Blue Strobe light
Lens (Field of View)	2.8-12mm MVF with Auto Focus (94.2°-29.8°)

*1080p, no true WDR

SPECIFICATIONS

Iris	DC Iris
Lens Mount	Ø14 Mount
Protection Rate	Water Proof: IP66
Bracket	3-Axis Bracket
Dimensions	Ø113mm×99.6mm
Weight (gross)	~640g
Network	RJ45 (+PoE)
Power	DC Socket
Analog Video Output	No
Audio Connectivity	Built-in Microphone and speaker + Audio Input
SD Card	Event/Schedule based Main/Substream recording (Up to 256 GB)
Hard Reset Button	Yes
Alarm	Alarm in + Alarm out
Remote Monitoring	IE Browsing, Ossia VMS Software, Provision Cam2 Mobile App
User Access	Supports simultaneous monitoring of up to 10 users with multi-stream real-time transmission
Network Protocol	IPv4, IPv6, TCP, UDP, DHCP, NTP, DDNS, 802.1X, RTSP, Multicast, UPnP, Email, FTP, HTTPS, QoS, P2P
ONVIF	Yes
Ethernet	100Mbps
PoE	Yes
Power Supply	DC12V/~900mA / PoE/~10W
Work Environment	-30°C~60°C, 10%~90% Humidity
Junction Box	PR-JB14IP66 - PR-JB14IP64 - PR-WB-A

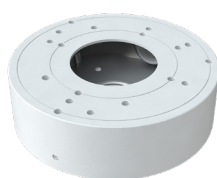
DIMENSIONS



ACCESSORIES



PR-JB14IP66



PR-JB14IP64



PR-WB-A