

THERMAL SERIES

The advantages of cameras in the thermal series are apparent: they don't depend on light conditions, provide constant imaging any time of day, and can penetrate haze and fog.

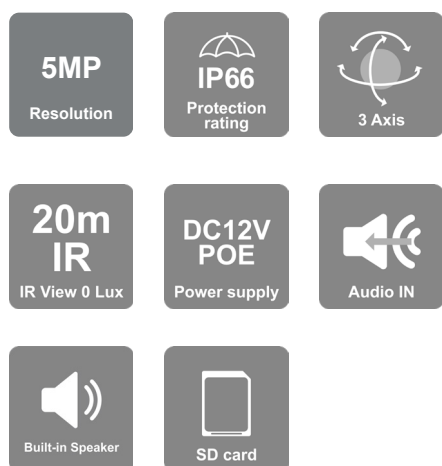
They're your all-weather, all-area, round-the-clock heat detector that can spot fire, monitor temperature, and even catch camouflaged people and vehicles when entering areas considered off-limits.



BMH-THERMAL-3

THERMAL/OPTICAL BI-SPECTRUM FIXED LENS BULLET CAMERA

Ideal for fire detection, temperature monitoring, and security surveillance, this 5MP Thermal camera can detect, alert and provide complete situational awareness in the most challenging environments. The BMH-THERMAL-3 incorporates an optic lens and a thermal module, allowing operators to monitor large areas in total darkness, glaring light, and adverse weather by combining thermal and visible light images. Equipped with our DDA™ Analytics (Detect, Distinguish, Alert) and active deterrence mechanisms (white strobe light and speaker), the BMH-THERMAL-3 delivers a strong and impactful tool for any installation.



MAIN FEATURES

- 5MP 2592×1944 Resolution
- Thermal
- Active Deterrence
- 3D-DNR
- IP66
- DDA Analytics
- Audio in + Built-in speaker
- white Strobe Light

ANALYTICS

- General Analytics: Camera Tampering
- AI (Optical Image):
 - DDA Sterile Area
 - DDA Line Crossing
 - DDA Object Counting
 - Face Detection (10 Faces per frame)
- AI (Thermal): DDA Sterile Area, DDA Line Crossing



SPECIFICATIONS

Video (Thermal)	Detector Type	12µm Vanadium oxide uncooled focal plane detector
	Resolution	256×192
	Temperature range	-20° - 150° C
	Spectral Range	8µm-14µm
	Thermal Sensitivity (NETD)	≤50mK(@25°C, F#=1.0)
	Color Sets	Black hot, White hot, Rainbow, iron oxide red, Lava
	Temperature Detection Distance	3.5m (Object size is 0.1m * 0.1m) In Theory: when the size of the object is doubled - the detection distance is also doubled
	Fire Detection Distance	11m (Flame size is 0.1m * 0.1m) In Theory: when the size of the flame is doubled - the detection distance is also doubled
	DRI Distance Human	Detection: 133m(436ft) Recognition: 33m(108ft) Identification: 17m(56ft)
	DRI Distance Vehicle	Detection: 409m (1342ft) Recognition: 102m(335ft) Identification: 51m(167ft)
Video (Optical)	Image Sensor	1/2.7" CMOS
	Effective Pixels	2592x1944
	Electronic Shutter	1/23s ~ 1/100000s
	Frame Rate	1-25/30FPS
	Day & Night	ICR
	Min. Illumination	Day: 0.1lux / Night: 0.02lux (@F1.6, AGC on) 0lux with IR on
Audio	Audio compression	G.711A/G.711U
	Communication	2-Way Audio
	Image Settings	AWB, AGC Adjustable, Exposure Mode (Auto) Sharpness, Saturation, Brightness & Contrast Adjustable, Lens distortion correction
Image Enhancement	Image Enhancement	True WDR (120dB), BLC, HLC, ROI
	Noise Reduction	3D-DNR
	Image Orientation	Mirror/Flip
	Privacy Zone	Yes
	Motion Detection	Yes
	Analytics	General Analytics: Camera Tampering AI (Optical Image): DDA Sterile Area, DDA Line Crossing, DDA Object Counting, Face Detection (10 Faces per frame) AI (Thermal): DDA Sterile Area, DDA Line Crossing

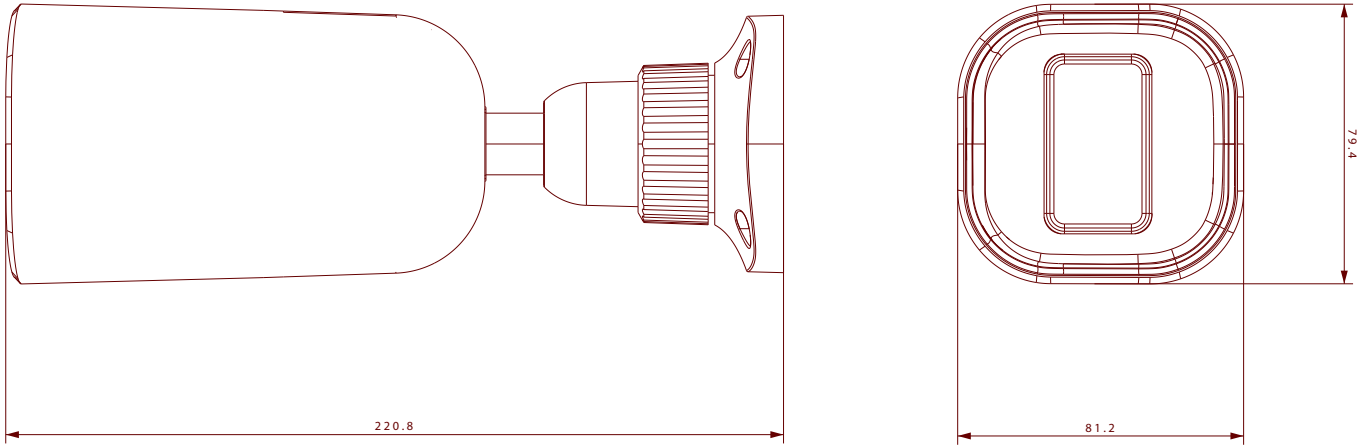
SPECIFICATIONS

Compression	Video Compression	H.265/H.264/MJPEG
	Resolution	5MP / 4MP / 2K / 3MP / 2MP / 1MP / D1 / QVGA / CIF / QCIF
	Multi-Stream	Master Stream: 5MP(2592x1944) / 4MP(2592x1520) / 2K (2560x1440) / 3MP / 2MP / 1MP Substream: 1MP / D1 / CIF / QCIF Third Stream: D1 / CIF / QCIF (1~30fps) Thermal Stream: 1MP / D1 / CIF / QCIF
	Bit rate	64Kbps ~ 11Mbps@H.265 / 64Kbps ~ 11Mbps@H.264
	Encode Mode	VBR/CBR
	Image Quality	Five levels under VBR; Free adjustment under CBR
	Housing	Bracket
IR Distance		20m (2 High-Power IR LED) White Strobe light
Lens (Field of View)		Optical: 4mm (80°) Thermal: 3mm (60°)
Iris		Fixed Iris
Lens Mount		Ø14 Mount
Protection Rate		Water Proof: IP66
Weight(gross)		~700g
Network		RJ45 (+PoE)
Power		PoE / DC Socket
Analog Video Output		No
Audio Connectivity		Built-in speaker + Audio input
SD Card		Event/Schedule based Main/Substream recording (Up to 256Gb)
Hard Reset Button		Yes
Alarm		Alarm in + Alarm out

SPECIFICATIONS

	Remote Monitoring	IE Browsing, Ossia VMS Software, Provision Cam2 Mobile App
	User Access	Supports simultaneous monitoring of up to 10 users with multi-stream real-time transmission
Network	Network Protocol	IPv4, IPv6, TCP, UDP, DHCP, NTP, DDNS, 802.1X, RTSP, Multicast, UPnP, Email, FTP, HTTPS, QoS, RTMP, HTTP POST, P2P
	ONVIF	Yes
	Ethernet	100Mbps
	PoE	Yes
	Power Supply	DC12V/~750mA / PoE/~9W
	Work Environment	-30°C~60°C, 10%~90% Humidity
	Junction Box	PR-JB12IP66 - PR-JB12IP64

DIMENSIONS



ACCESSORIES

