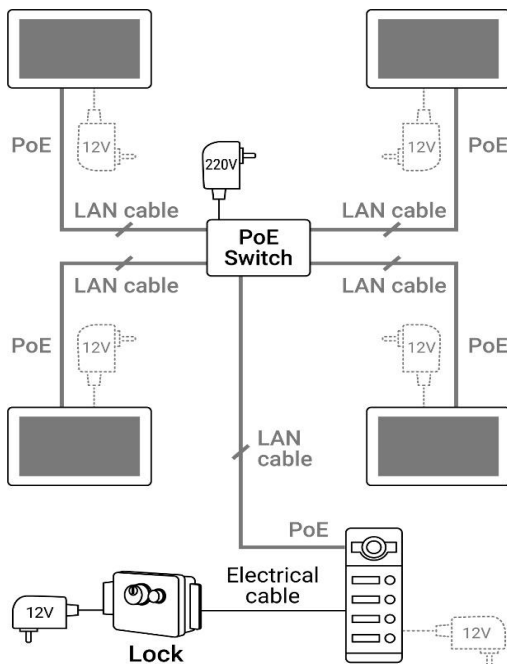




- Built-in colour HD camera
- Built-in Mifare card and tag reader with controller
- For two apartments / houses use
- Weatherproof design (IP65)
- Night vision up to 3m
- Relay lock control

### Installation manual



Doorphone panel		
Model	MIP-300	
Version	Black 2B	
SKU	1645	
Colour	Black and Silver	
Camera		
Sensor	1/3" CMOS	
Resolution	1.0Mp (1280x720@25)	
Day/Night mode	Auto	
Photosensitivity, Lux	0.5	
Video system	PAL	
Lens		
Focal length, mm	1.9	
Iris, F	1.4	
Angle of View, °	Horizontal	110
	Vertical	83
Lens Type	Aspherical	-
	Spherical	+
IR LED		
Distance, m	3	
Number of LEDs, pcs.	6	
Beam Spread, °	60	
Wavelength, nm	850	
Controller		
Number of readers	1	
Card/tag reader interface	Mifare	
Reader frequency, kHz	13.56	
Built-in keypad	-	
Max number of cards/tags, pcs	200	
Authentication method	Card/tag	
Network		
Network Interface	RJ-45 (10/100Base-T)	
Monitoring software	-	
Number of independent users	2	
Dimensions		
Size, mm	210x116x32	
Weight, g	1100	
Common		
Power	DC 12V, A	0.2
	POE, Class/W	0/6
Relay, pcs	1	
Relay type	NO/NC	
Call buttons, pcs	2	
Casing material, plastic/metal	-/+	
Bracket material, plastic/metal	-/+	
IP rating	65	
Operating temperature, °C	-40 - +60	
Accessories	Angle bracket	-
	Rain cover	-
	Mounting kit	+



**Attention!**

- Only qualified technician should be authorized to service this equipment
- Avoid placing the device near sources of strong electromagnetic radiation
- Do not install the device in places exposed to direct sunlight, rain, extremely high temperatures, high humidity levels, high dust levels and aggressive chemicals
- The most appropriate place to install the device is at the level of the user's eyes
- Prior to installation and removal of the device please make sure that the power supply is off
- Install the device at least 30cm away from the power supply lines to avoid interference
- Avoid ingress of moisture, foreign particles, and insects into the device enclosure