



Circular to PARTNERS - DISTRIBUTORS

Zola Predosa, 13 February 2008

**RE: R180/R280 NEW GEARMOTORS FOR SPRING BALANCED  
ROLLING GATES UP TO 280 KG**



We are pleased to inform you that, **the new series of FAAC gearmotors R180/R280 for spring balanced rolling gates up to 280 kg will be available as from February 2008**

**R180 and R280 are suitable for all rolling gates with shaft diameters of 60/48/42 mm and 200/240 mm spring boxes, thanks to a set of adaptors supplied standard with the motor.**

The R180 and R280 gearmotors will replace the previous series of 220/226 gearmotors which will eventually run out.

The 227L model is still on the price list for special uses with rolling gates with 76 mm diameter shafts and 240 mm spring boxes.

These are the product's main strong points:

- **Quicker installation times thanks to the travel limit device with automatic learning of positions (FAAC Patent)**
- ***Very sturdy, and providing long-term reliability***
- ***A set of adaptors for tubes and spring boxes, supplied as standard***
- ***Certified anti-fall device to build systems complying with the 13241-1 standard***

FAAC S.p.A.  
Via Benini, 1  
40069 Zola Predosa  
Bologna - Italy  
Tel. +39 051 61724  
Fax +39 051 75 85 18  
www.faacgroup.com

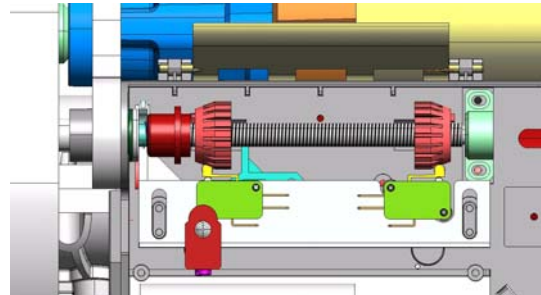
Soc. p.az.- Capitale Sociale Euro 774.000,00 i.v.  
Codice Fiscale 02169920374  
Partita IVA 00555751205  
Partita IVA Comunitaria IT00555751205

Registro Imprese (BO) 02169920374  
R.E.A. (BO) 253956  
Comm. Estero Posiz. R.E.A. Bologna M 008038



As concerns the travel limit device, we underscore the fact that to simplify installation time to the maximum, the device was studied and patented so that a single opening movement is sufficient to guarantee correct adjustment.

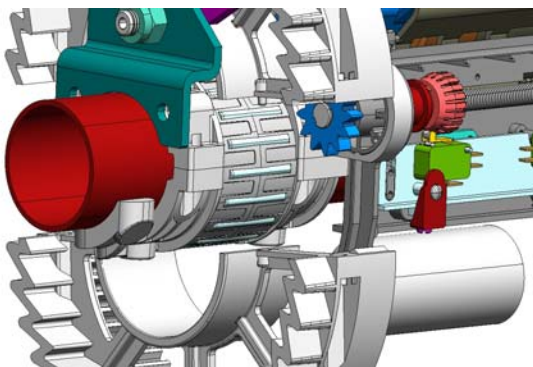
Traditional devices usually require many more attempts, and taking into account that the travel limit devices are accessible only when the rolling gate is fully closed, it can be understood how the FAAC solution considerably cuts down on installation time.



The sturdiness and long-term reliability of the new R180/R280 gearmotors are guaranteed by the technical solutions adopted for constructing the product, aimed right from the start at the heaviest duty use the applications for rolling gates may require.

These solutions include :

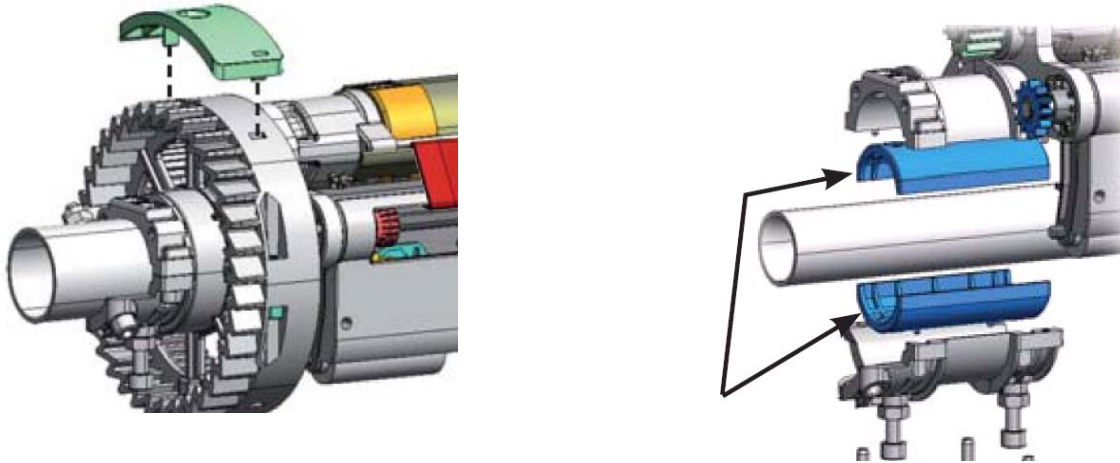
- Body and crown gear in aluminium alloy
- A system for supporting the crown gear on a dismantlable cage with steel rollers (1)
- Integrated planetary gearmotor with high resistance steel gears
- Watertight bearings used on the motor-reduction unit axis
- Use of special technopolymers
- Lubricated with additive greases to increase heat resistance



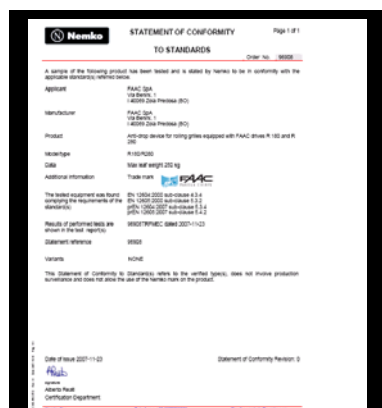
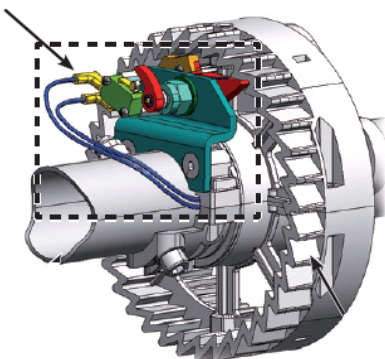
(1)



Contrary to the previous 220/226 series, the set of adaptors for the **42/48/60mm** tubes and the **200/220mm** spring boxes are now **supplied standard** and, therefore, make it possible to use a single model for different types of rolling gates, without having to order specific accessories separately.



A new facility introduced in the 180/280 series is the anti-fall device (as accessory): this device is specified by the most recent European standards (in particular, by product standard UNI EN 13241-1, for industrial and commercial closing devices for garages and gates, and the relevant support standards UNI EN 12604 and UNI EN 12605). This device is necessary to prevent the dangers due to the possible fall of the gate if the balancing units fail and, therefore, to construct a completely safe system.



We underline the fact that once the device has operated, it must be replaced.

FAAC S.p.A.  
Via Benini, 1  
40069 Zola Predosa  
Bologna - Italy  
Tel. +39 051 61724  
Fax +39 051 75 85 18  
www.faacgroup.com

Soc. p.a.z.- Capitale Sociale Euro 774.000,00 i.v.  
Codice Fiscale 02169920374  
Partita IVA 00555751205  
Partita IVA Comunitaria IT00555751205

Registro Imprese (BO) 02169920374  
R.E.A. (BO) 253956  
Comm. Estero Posiz. R.E.A. Bologna M 008038



The electronic control units of the R180/R280 series are the same as those of the previous series 220/226, i.e. **200BT** and **200MPS**.

A further novelty is the introduction (expected for the beginning of March 08) of the **new key operated anti-tampering selector** with lever release **XK 21** available in two versions: **XK 21 H** (230V) and **XK 21 L** (24V).

The selector XK 21 directly commands the gearmotor at the power supply voltage of 230V (XK 21 H) or at low voltage 24V (XK 21 L) via units 200BT and 200MPS, and can be connected directly to the electric brake, by a steel cable, for manual release.



## R180/R280 CODES AND PRICES

The codes, descriptions and list prices of the new barrier's product range are indicated below. The products are already in the 2008 Price List edition.

Code	Description	2008 Price list
109910	R180	€ 179.00
109911	R280	€ 282.00
409840	Electric brake R180-R280	€ 46.00
390925	Anti-fall device	€ 62.00
401300	XK 21 H 230V*	€ 68.00
401301	XK 21 L 24V*	€ 73.00
<b>The following products remain on the price list :</b>		
109704	227 L	€ 236.00
747000	Electric brake for 227 L	€ 55.50
790852	Control unit with dead-man logic 200BT	€ 50.50
790905	Control unit 200MPS	€ 99.00
720119	Enclosure mod. E for 200MPS	€ 15.50

\* available from March 2008

We enclose a copy of the Nemko certificate for the anti-fall device and the product launch leaflet. The installation instructions are available on our website.

Do not hesitate to contact us for any further clarifications you may require.

Best regards.

FAAC S.p.A.  
Giovanni D'Abramo  
Product Development Manager

