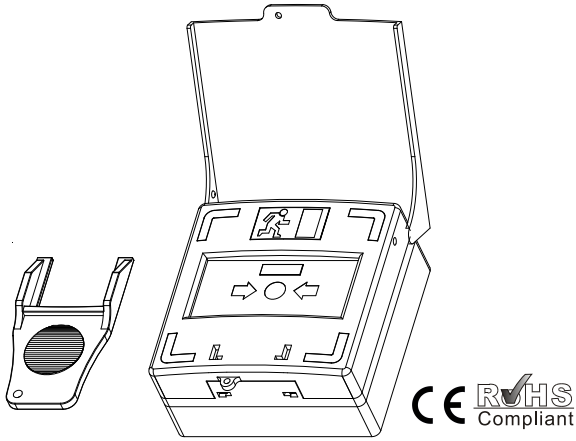


Resetable Switch Call Point



Series Model

- EB-20C Only has output point function
- EB-20G Standard model

Special features

- Reversionary key with non-slip design.
- With Dual color indicator and buzzer.

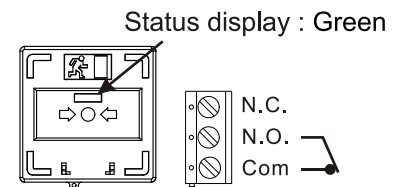
- Reversionary design, obvious indicators around the edges of the unit.
- Pressing plate with status (green and red) shown.
- Input power range from DC12-24V to connect with all types of fire alarm system.
- Easy to assemble, outer case without screws, 3 set of output points to connect other equipment, embedded or surface installations to select.

Specification

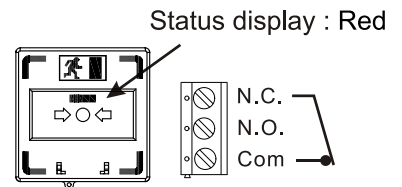
	EB-20G	EB-20C
Power Supply	DC 12V ~ DC24V ±5%	×
Operation current	DC 12V : 18mA(standby)/75mA(operation) ±5% DC 24V : 11mA(standby)/41mA(operation) ±5%	×
Buzzer	Set as silent, interval wailing or continuous wailing	×
Indicator	Dual-color (red and green) . Red indicator to set blinking , off or on.	×
Output	N.O. · N.C.& COM. Output (Maximum load of 125V/3A)	
Material	ABS · PC	
Dimensions	90L × 93W × 45H (mm)	

Status

【 Standby 】



【 Operation 】



Structure diagram

