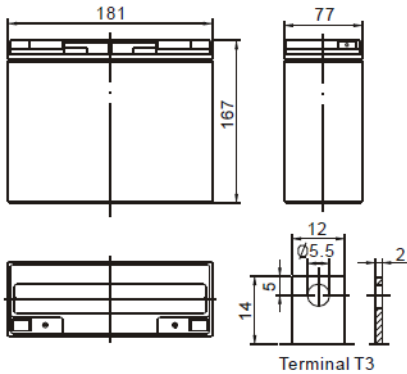


GS12180(12V18.0AH/20hr)



General Series

General Series Valve Regulated Lead Acid batteries are designed with AGM (Absorbent Glass Mat) technology, high performance plates and electrolyte to gain extra power output for common power backup system applications widely used in the field of UPS, Emergency Lighting System.

Application

- Alarm System
- Medical Equipment
- Cable Television
- UPS
- Power tools
- Communication Equipment
- Emergency Power System
- Control Equipment
- Security System
- Toys
- Solar

General Features

- Sealed and maintenance free operation.
- Non-Spillable construction design.
- ABS containers and covers(UL94HB, UL94V-0) optional.
- Safety valve installation for explosion proof .
- High quality and high reliability.
- Exceptional deep discharge recovery performance.
- Low self discharge characteristic.
- Flexibility design for multiple install positions.

CONSTRUCTION

Component	Positive plate	Negative plate	Container	Cover	Safety valve	Terminal	Separator	Electrolyte
Raw material	Lead dioxide	Lead	ABS	ABS	Rubber	Copper	Fiberglass	Sulfuric acid

TECHNOLOGY PARAMETER

Battery model	GS12180			
Designed Floating Life	3~5 Years			
Capacity (25°C)	20hR(0.9A, 10.5V)	10hR(1.74A, 10.5V)	5hR(3.04A, 10.5V)	1hR(12.1A, 9.60V)
	18Ah	17.4Ah	15.2Ah	12.1Ah
Dimensions	Length	Width	Height	Total Height
	181±1mm	77±1mm	167±1mm	167±1mm
Approx. weight (±5%)	5.05Kg (11.16 lbs)			
Internal resistance	Full charged at 25°C: Approx. 15mOhms			
Self discharge	3% of capacity declined per month at 25°C (average)			
Capacity Affected by Temp.(20HR)	40 °C	25 °C	0 °C	-15 °C
	102%	100%	85%	65%
Charge Voltage (25°C)	Cycle use		Float use	
	14.4-15.0V(-15mV/°C), max. Current: 5.4A		13.5-13.8V(-20mV/°C)	

GS12180(12V18.0Ah/20hr)

Constant current discharge ratings-amperes at 25°C

End Point Volts/Cell	5min	10min	15min	30min	1h	3h	5h	10h	20h
1.60V	71.0	49.7	37.8	21.3	12.1	5.08	3.32	1.83	0.95
1.65V	67.4	47.5	36.0	20.5	11.9	4.91	3.22	1.80	0.92
1.70V	63.4	44.8	34.1	19.6	11.6	4.75	3.13	1.77	0.91
1.75V	59.5	42.1	32.3	18.6	11.1	4.54	3.04	1.74	0.90
1.80V	55.5	39.9	30.4	17.7	10.6	4.34	2.95	1.71	0.88

Constant power discharge ratings-watts at 25°C

End Point Volts/Cell	5min	10min	15min	30min	1h	3h	5h	10h	20h
1.60V	131	91.9	70.4	39.8	22.8	9.59	6.30	3.50	1.81
1.65V	124	87.3	66.6	38.0	22.2	9.23	6.09	3.42	1.76
1.70V	116	82.0	62.8	36.2	21.6	8.88	5.89	3.34	1.73
1.75V	108	76.7	59.1	34.2	20.5	8.45	5.68	3.28	1.70
1.80V	99.8	71.9	55.1	32.1	19.3	7.98	5.45	3.18	1.65

