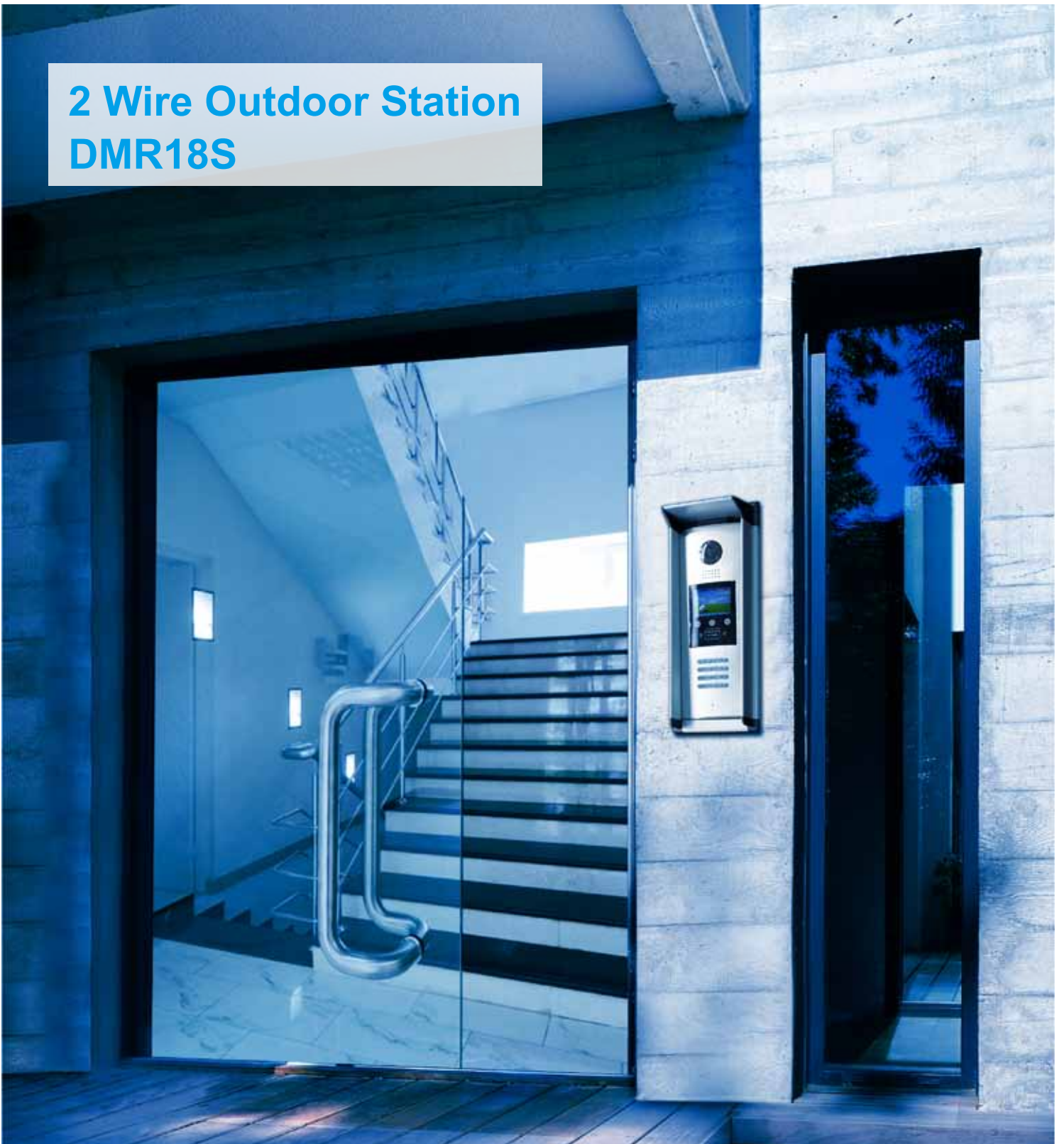


## 2 Wire Outdoor Station DMR18S



# DMR18S



## Other Features:

- New menu-structure design
- Synthesis language reminder
- Large capacity(max.128 apartments via BDU)
- Name list display

The DMR18S is upgraded from DMR18,The module supports either surface mounted or flush mounted,it provides one more choice for users.

The 3.5 inch screen with user interface makes the settings more convenient and humanitarian,and it is so easy to update the user interface at any time,just with one SD card.

Once the door code is entered,just press the keypad to call the house ,it's user-friendly and intuitive.

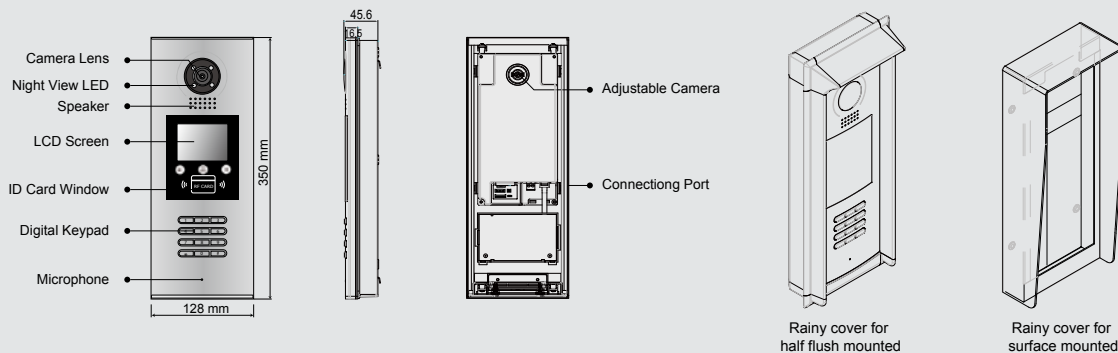


Touch navigation buttons

Full aluminium alloy panel

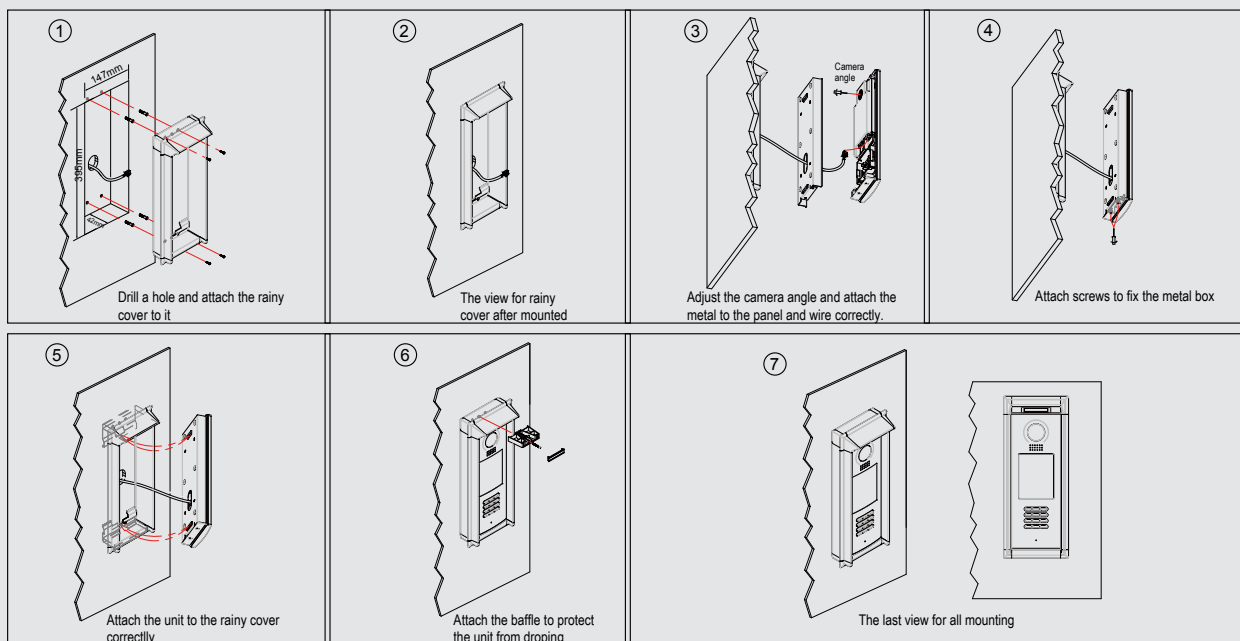
Rainy cover for half flush mounted

## DIMENSION



Unit:mm

## MOUNTING(the following graphic just shown the flush mounted)



## SPECIFICATION

|                    |  |
|--------------------|--|
| Power supply:      | DC24V                                      |
| Camera Lens:       | 1/4 ACS 4T image sensor with DSP processor |
| Power consumption: | Standby 160W;Working status 450W           |
| Screen:            | 3.5 inch TFT                               |
| Resolution:        | 320(R, G, B)X240 pixels                    |
| Video signal:      | CCIR/EIA Optional                          |
| Dimension:         | 350(H)×128(W)×46(D)mm                      |