

Product Information

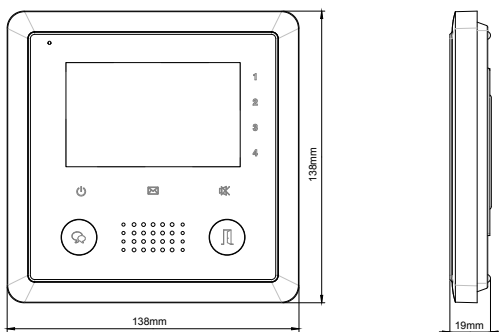
DT39 2-Wire Indoor Monitor



DESCRIPTION

2-wire system 3.9 inch Digital Color TFT Monitor with touch sensor button.

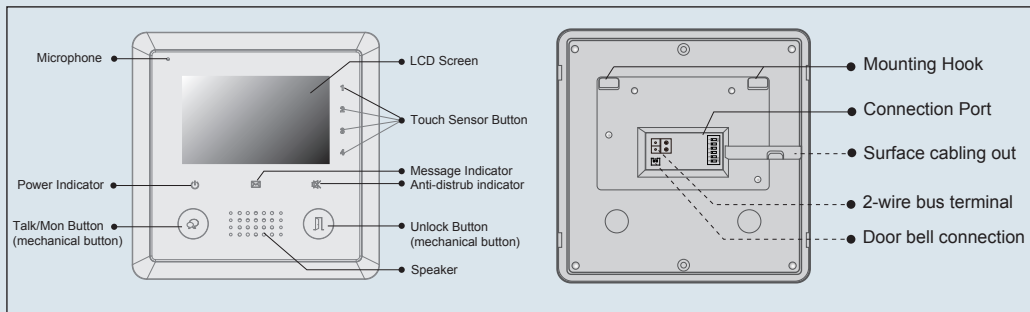
DIMENSION



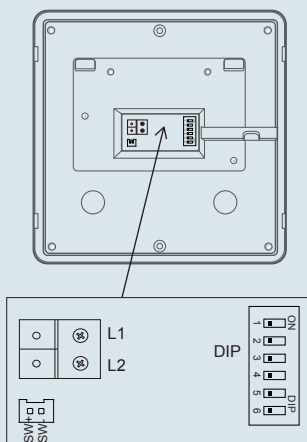
FEATURES

- ▶ 3.9 inch TFT with high resolution(800*480 pixel)
- ▶ Ultra-thin design with 19mm thickness
 - *1 Support max.16 languages
- ▶ 2 locks control interface
- ▶ Support Video memory via SC6V modular
- ▶ Call diverting via TPS/GSM
- ▶ Support analogue & 2 wire Camera via DCU/SC6
- ▶ Compatible with all DT outdoor & Indoor unit
 - *1 needs customization

1. Parts and Functions



LCD Screen	Display the visitors' image
Touch Sensor Button	Menu navigation and tools setting
Microphone	Receive voice from the user
Message Indicator	When the LED On that means unread memory message reminder
Anti-disturb indicator	Anti-disturb function status indicator
Power Indicator	Power status indicator
Unlock button	Press to release the door
Talk/Mon button	Press to communicate hands free with visitor
	Press to view the outdoor condition in standby mode
Speaker	Send out voice from the visitor
Mounting hook	Use to hang up the monitor
Connection port	Bus terminal



L1,L2: Bus terminal

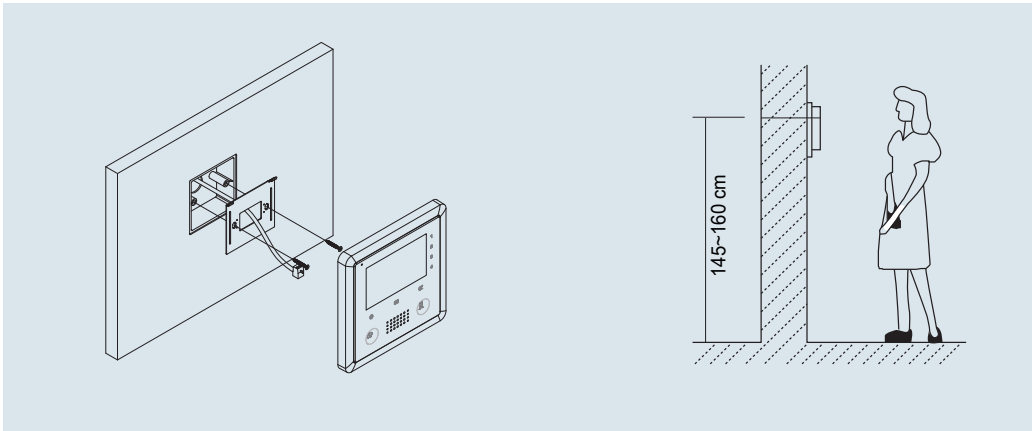
SW+,SW-: Door bell call button connection port

DIP switches: Total 6 bits can be configured.

Bit1~Bit5: Used to User Code setting.

Bit6: Set to ON if the monitor is at the end of the line or works with DBC4S. Otherwise, set to OFF.

2. Monitor Mounting



1. Use the screws to fix the Mounting Bracket on the mounting box.(fitting accesories includes a Bracket (Two pieces of 4X25 screws are needed to fasten the Mounting Bracket), Special 2 wire connectors to connect with Monitor)
2. Wire the system correctly(refer to connection chapter) then hang the Monitor on the Mounting Bracket firmly.

3. Specification

- Power supply: DC 20~28V
- Power consumption: Standby 0.286W; Working status 3.224W
- Monitor screen: 3.9 inch digital color TFT
- Display Resolutions: 800(R, G, B) x 480 pixels
- Video signal: 1Vp-p, 75Ω, CCIR standard
- Wiring: 2 wires, non-polarity
- Dimension: 138(H)×138(W)×19(D)mm

4. Ordering Information For Monitor



DT39/HD4



DT39/HD4-WB

Item	Brief Description	Menu style
DT39/HD4	3.9 inch digital color TFT screen monitor with white housing	Color icon
DT39/HD4-WB	3.9 inch digital color TFT screen monitor with white&black housing	Color icon

5. Packing Information



Dimensions: 166(H)×244(W)×40(D)mm
Gross Weight: 0.56Kg



Carton: 495 (H)×403 (W)×310 (D)mm
Quantity: 72PCS

6. App: Menu style

