



Leaping the distance,
Dynamic 30X Security!

imagine Dynamic Panoramic Security

Samsung Techwin SPD-3000 is a high performance, high resolution PTZ speed dome camera with 30X A/F zoom. The improved resolution, with built-in SSNR and DIS capabilities, together with multiple auto-set options provide all the functions you need to perform impeccable digital video surveillance.

SAMSUNG

High Resolution 30X Speed Dome Camera

SPD-3000

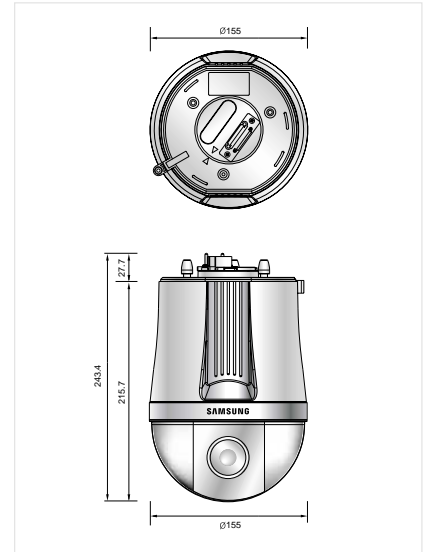


Specifications

Mode	SPD-3000N	SPD-3000P
Power Source	24V AC	
Power Consumption	8Watts in standing by 13Watts in operating	
Image Pick-up Device	1/4" Super HAD CCD	
Total Pixels	811(H) x 508(V)	795(H) x 596(V)
Effective Pixels	768(H) x 494(V)	752(H) x 582(V)
Scanning System	2 : 1 Interlace, 625 Lines / 60 Fields / 30 Frames	2 : 1 Interlace, 625 Lines / 50 Fields / 25 Frames
Synchronization	External selectable (AC line lock)	
Scanning Frequency	15.734KHz(H) / 59.94Hz(V)	15.625KHz(H) / 50.00Hz(V)
Resolution	Color : 520TV lines (Min.) / B/W : 570TV lines (Min.)	
Video Output	1.0p-p / 75Ω	
S / N Ratio	More than 50dB (AGC off)	
Min. Illumination	0.7Lux @ F1.6 (Normal color mode) 0.1 Lux @ F1.6 (B/W mode) 0.005Lux @ F1.6 (Sens-up mode)	
Day & Night	Auto / Color / B/W (ICR filter change)	
Electronic Shutter Speed	Auto / Manual selectable (1/60 ~ 1/120,000)	
Slow-shutter	On (2X ~ 128X fields) / Off selectable	
White Balance	ATW / AWC / Manual selectable	
Gain Control	Auto / Manual selectable	
OSD	On / Off selectable	
DIS(Digital Imager Stabilizer)	On / Off selectable	
Digital Zoom	2X ~ 10X (Total 300X zoom)	
Zoom Ratio	f3.3 ~ 99.0mm (30X)	
Multiple Protocols	PELCO-D, Panasonic, Vicon, Samsung Electronics	
Serial Communication	RS-485, RS-422, RS-232C	
Min. Focus Distance	1.2m	
Max. Zoom Speed	5.2sec	5.4sec
Pan Rotation Angle	360° Endless	
Pan Speed	240°/sec (64 step)	
Tilt Rotation Angle	-4° to 184°	
Tilt Speed	240°/sec (64 step)	
Angle Field of View	H : 58.17°(Wide) to 2.2°(Tele) / V : 44.76°(Wide) to 1.76°(Tele)	
Privacy Function	On / Off Selectable (4 Programmable zone)	
Preset	128 preset (Straight)	
Digital Flip	On / Off selectable	
Operating	Temperature	-10°C ~ +50°C
	Humidity	20% ~ 60% RH
Dimensions	Ø155(W) x 243.4(H)mm	
Weight	Approx. 2.0kg	

Dimensions

Unit : mm



Controller (Option)



Accessories & Dimensions (For SPD-3300/3000/2300)

Unit : mm



The **Eco mark** represents Samsung Techwin's will to create environment-friendly products, and indicates that the product satisfies the EU RoHS Directive.

Design and specifications are subject to change without notice.

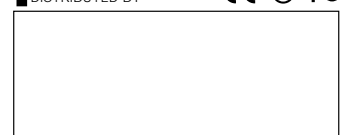


SAMSUNG TECHWIN CO., LTD.
145-3, Sangdaewon 1-dong, Jungwon-gu,
Seongnam-si, Gyeonggi-do Korea 462-703
Tel : +82-31-740-8137-8139 Fax : +82-31-740-8145
www.samsungctv.com

SAMSUNG OPTO-ELECTRONICS UK, LTD.
Samsung House, 1000 Hillwood Drive,
Hillwood Business Park Chertsey Surrey KT16 0PS
Tel : +44-1932-45-5308 Fax : +44-1932-45-5325

TIANJIN SAMSUNG OPTO-ELECTRONICS CO., LTD.
7 Pingchang Rd., Nankai Dist. Tianjin 300190, P.R China
Tel : +86-22-2761-4724(33821) Fax : +86-22-2761-6514

DISTRIBUTED BY



I.D-0607



Leaping the distance,

Dynamic 30X Security!

imagine Dynamic Panoramic Security

Samsung Techwin SPD-3000 is a high performance, high resolution PTZ speed dome camera with 30X A/F zoom. The improved resolution, with built-in SSNR and DIS capabilities, together with multiple auto-set options provide all the functions you need to perform impeccable digital video surveillance.

SAMSUNG

Wide, clear view, Dynamic 30X video cap

30X high resolution optical zoom, the Speed Dome SPD-

The SPD-3000 is a high resolution 30X zoom PTZ speed dome camera that uses high performance DSP chip technology for superior image quality and multiple functions. Its resolution is impressive 520TV lines, and it has the superior light sensitivity of S/NR and outstanding DIS capability built-in for clear images, day or night. Different areas can be assigned different settings for customized surveillance. Samsung Techwin requires the speed dome cameras to have impeccable qualities. Accordingly, all SPD-3000 cameras go through rigorous tests to ensure a stability and dependability worthy of its name.

ZOOM



30X high performance optical zoom

The SPD-3000 has a powerful built-in 30X A/F optical zoom lens that works with a 10X digital zoom to give you up to 300X zoom. This powerful zoom capability is especially useful for checking distant objects such as a visitor's face or a vehicle plate number.



Conventional



30X

CLEAR



High resolution image of more than 520TV lines

The Super HAD CCD sensor is safely combined with the WIII DSP chip to bring you a super-clear horizontal resolution of 520TV lines in super-rich colors, enabling you to see all the details in the surveillance image better than ever before.



Conventional Camera



SPD-3000

apture!

-3000

...ing integrated
...ively improved to
...It in for crystal
...veillance as well.
...y, all speed dome



24HOUR



ICR Day & Night function

Built-in ICR (Infrared Cut filter Removal) Day & Night technology automatically removes the IR Cut filter when night falls and switches to 570TV line B/W image mode, making the SPD-3000 the ideal security solution for areas that require 24hour high resolution surveillance, such as parking lots or the perimeters of major industrial facilities.



Day



Night

SHARP



DIS (Digital Image Stabilizer)

The built-in DIS (Digital Image Stabilizer) capability detects even the most minute camera shake and automatically corrects it, so the resulting image is always very stable and vivid.



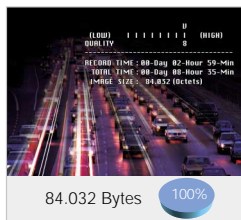
Digital Image Stabilizer

NIGHT



Maximum sensitivity of **0.005Lux** that overcomes the darkness

The SPD-3000 uses the unique Samsung Techwin's WIII digital image processor chipset with built-in SSNR noise reduction technology to provide cleaner images even in dark illumination down to 0.005Lux. Any screen noise or ghost effects commonly associated with nighttime surveillance are effectively removed for easier image reading, and space usage for DVR storage can be reduced by up to 70 percent.



SSNR Off



SSNR On

PRESET



128 preset settings, multiple Auto-Surveillance functions

Up to 128 different preset settings are possible. Settings can be done according to their surveillance area, time, and/or method, enabling customized surveillance for maximum security. The Image Hold function, that can be used to pause video at will, is especially convenient when jumping from one preset area to another.

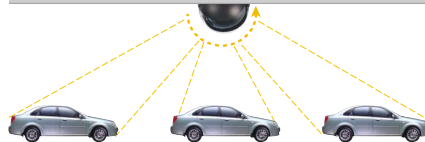


FLIP



Digital Flip capability

Any subject that is moving right underneath the camera can be made to look right side up by using the Digital Flip function. Just manipulate the controller to flip the subject image up / down / left / right.

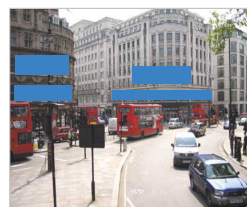


MASKING



Block surveillance from selected areas

For convenient privacy protection option, the SPD-3000 comes with a built-in function that lets you choose up to 4 areas to mask (as seen in the picture) while they are under surveillance.



SPD-3000 High Resolution 30X Speed Dome Camera

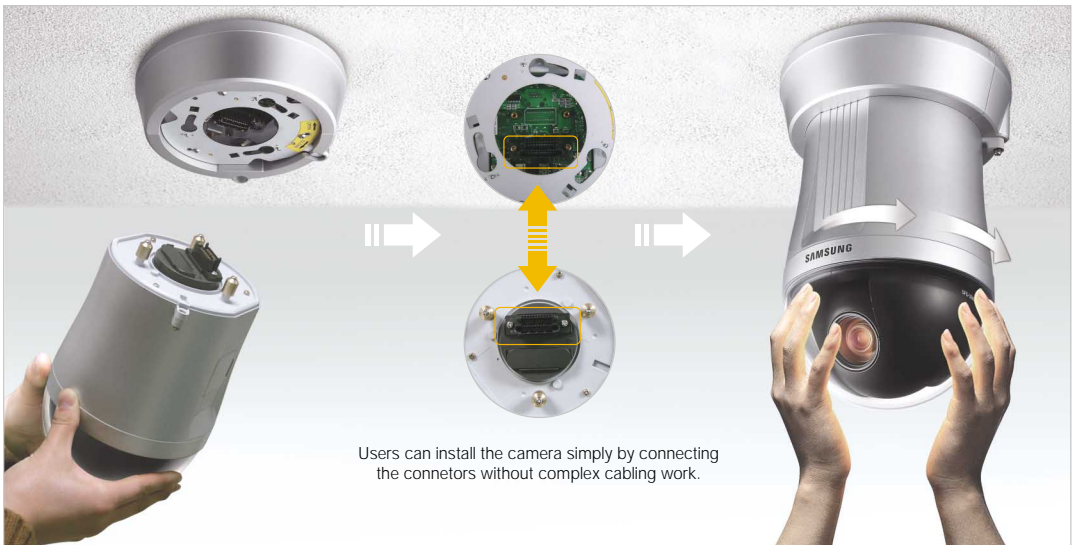


EASY



Unbelievably easy installation

The SPD-3000 minimizes screen blocking and supports various installation accessories. It was designed for easy installation, so the installation process is safe, fast, and pain-free.



Users can install the camera simply by connecting the connectors without complex cabling work.



Indoor / Outdoor Housing
+ Wall Mount



Indoor Embedded Housing



Ceiling Surface Mount



Indoor / Outdoor Housing
+ Ceiling Mount

APPLICATION



Multi Protocols, Multi Applications

Multiple protocols from various producers are built into the camera for headache-free integration with your existing system, regardless of whose system you are using. The SPD-3000 is the perfect security solution for airports, luxury hotels, high-end shopping malls, museums, or any other places where world-class surveillance is needed 24 hours.



Airport



Luxury hotel



High-end shopping mall



Museum