

Beautiful Security,
Mini Dome



High-Definition Premium
Mini Dome Camera

SID-50

- Optimal picture quality : 540 TV lines
- 0.002 Lux low light level surveillance
- WIII DSP chip installed for auto imaging
- Fast and easy installation, innovative design
- Optical lens ensuring wider view

SAMSUNG

SID-50, the Very High Definition (VHD) Premium Mini Dome Camera

Beautiful combination of Design and Technology !

The **SID-50** has multiple features and strengths that are beyond what is expected of a security camera. Premium features, including 540TV lines HD and 0.002Lux low light level imaging, come as standard in a luxurious white casing that fits beautifully into any environment ; the SID-50 is a perfect combination of innovative design and the latest technology. Additionally, the SID-50 with its auto-imaging feature is designed for easy installation regardless of location, and its standard optical lens provides a much wider and clearer field of view for surveillance. The high performance SID-50 security camera, with its highly dependable quality and sensible price tag, will further heighten user satisfaction.

Compact design
+ Professional Technology



Innovatively artistic design

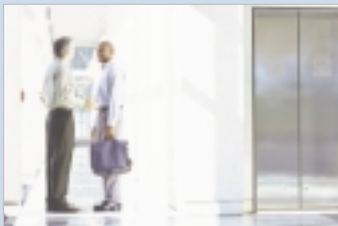
The SID-50 has introduced innovation into security camera design. It has brought artistic beauty to this technology-oriented product and turned it into something that can actually fit in with the rest of your interior design. The gorgeous pearly white color and 99.2mm wide compact design with simple blue-toned edges will shatter your image of "unsightly" security cameras. We are entering a new generation of design-savvy security cameras that harmonize beautifully with the rest of the room.



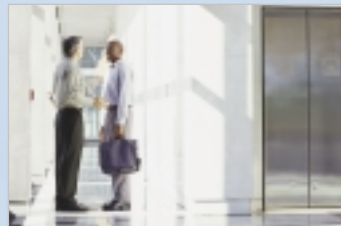


Premium resolution 540TV Lines

The SID-50 is equipped with a high performance CCD sensor and the latest digital signal processing (DSP) technology, offering a horizontal resolution of 540TV lines, and the resulting image sharpness is unmatched. Compare the SID-50's resolution with that of other dome cameras and you will see the difference is undeniable.



Conventional Camera



SID-50

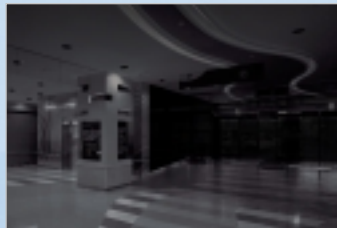




Made for low light environments !

Up to **0.002Lux !**

A security camera must be able to perform its job under less-than-perfect light conditions - even in darkness. The SID-50 can record images in low light levels up to 0.002Lux. Samsung's outstanding noise reduction technology, SSNR, is implemented to reduce screen noise and to enhance the clarity of images even further.



Conventional Camera



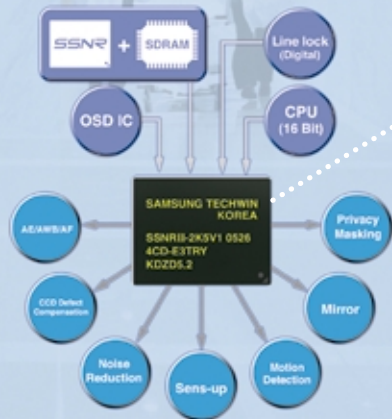
SID-50



Samsung exclusive 3rd generation
high performance DSP

WIII DSP system

The SID-50 incorporates the **WIII** DSP chip, developed exclusively by Samsung. This new DSP system can reduce the noise caused by low light conditions and process 16 bit high performance CPU with a single chip, successfully providing outstanding high-resolution images and multiple surveillance functions at the same time.





Installing and function setting just got easier

For the first time with mini domes the SID-50 comes with a template, and the dome is designed with installation conditions in mind to enable faster and easier camera installation. The automatic white balance (ATW), sens up, electronic shutter, and other features will automatically adjust themselves according to their environment to give you optimal images without a cumbersome menu-setting process.



자동 화이트밸런스



Optical lens for wider surveillance area (Interchangeable lens)

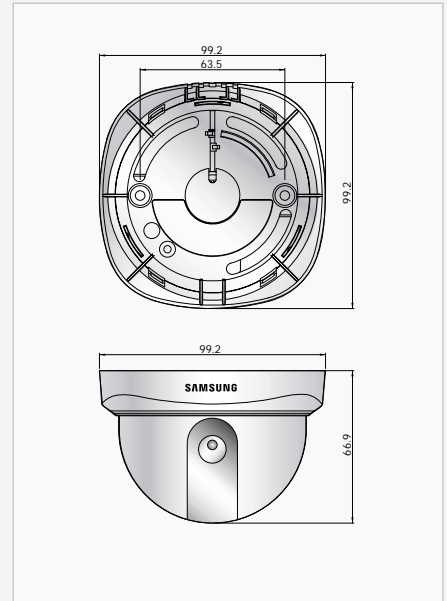
A 3mm high-performance optical lens comes as standard, so you will have a wider field of view for surveillance in small areas such as in elevators or small stores. The lens is interchangeable with a 4, 6, or 8mm lens, making it very adaptable for different environments.



Specifications

Mode	SID-50N	SID-50P
Power Source	12V DC \pm 10%	
Power Consumption	Max. 1.8W	
Image Pick-up Devide	1/3" Super HAD CCD	
Total Pixels	811(H) x 508(V)	795(H) x 596(V)
Effective Pixels	768(H) x 494(V)	752(H) x 582(V)
Scanning System	2 : 1 Interlace	
	525 Lines / 60 Fields / 30 Frames	625 Lines / 50 Fields / 25 Frames
Synchronization	Internal only	
Scanning Frequency	Horizontal : 15,734KHz	Horizontal : 15,625KHz
	Vertical : 59.94Hz	Vertical : 50Hz
Resolution	540TV lines	
Video Output	CVBS : 1.0Vp-p / 75 Ω	
S / N Ratio (Y signal)	50dB (AGC off, Weight on)	
Min. Illumination	0.5Lux @ F1.2	
Back Light Compensation	Built-in	
SSNR	Low	
White Balance	ATW	
Electronic Shutter Speed	Auto (1/60 ~ 1/120,000)	Auto (1/50 ~ 1/120,000)
Sens-up	Auto (X4)	
Lens	Fixed lens f=3mm, D=120° F 2.0 (4, 6, 8mm option)	
Monitoring	Pan	Manual 360°
	Tilt	Manual 20° ~ 90°
Operating Temperature	-10°C ~ +50°C	
Operating Humidity	30% ~ 80% RH	
Dimension	99.2(ϕ) x 66.9(H)mm	
Weight	210g	

Dimensions



www.samsungcctv.com

Design and specifications are subject to change without notice.

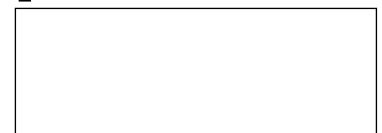


SAMSUNG TECHWIN CO., LTD.
 145-3, Sangdaewon 1-dong, Jungwon-gu,
 Seongnam-si, Gyeonggi-do 462-703, Korea
 Tel : +82-31-740-8137-8139 Fax : +82-31-740-8145

TIANJIN SAMSUNG OPTO-ELECTRONICS CO., LTD.
 7 Pingchang Rd., Nankai Dist. Tianjin 300190, P.R China
 Tel : +86-22-2761-4724(33821) Fax : +86-22-2761-6514

SAMSUNG OPTO-ELECTRONICS UK, LTD.
 Samsung House, 1000 Hillswood Drive,
 Hillswood Business Park Chertsey, Surrey KT16 0PS
 Tel : +44-1932-45-5308 Fax : +44-1932-45-5325

■ DISTRIBUTED BY



I.D-0603