



Tough & Tight

Wall Mount Bracket STB-225VW User's Manual

Thank you for purchasing the Samsung installation mount. Before attempting to connect or operate this product, please read these instructions carefully and save this manual for future use.

ENGLISH



Samsung Techwin cares for the environment at all product manufacturing stages to preserve the environment, and is taking a number of steps to provide customers with more environment-friendly products. The Eco mark represents Samsung Techwin's will to create environment-friendly products, and indicates that the product satisfies the EU RoHS Directive.

1. Usage Cautions and Warnings

Thank you for purchasing our product. This product has been designed to be installed and used with Samsung vandal dome cameras. Please read through the User Manual prior to use.

- Please read through the safety-related contents and usage instructions before use.
- Abide strictly by the warnings and usage instructions that require user caution, and always follow the operation methods and instructions.
- Installation must be performed by a trained specialist.
- Do not use the product with dome camera products other than the recommended Samsung vandal dome cameras.
- The mounting has to be installed onto a firm and stable location where all the parts may be completely secured. The installation needs to be performed by a trained and experienced professional.
- Do not use the product for other purposes.

2. Product Characteristics

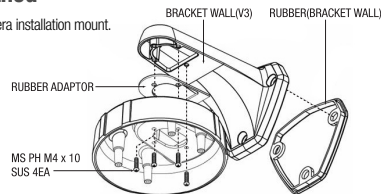
This product has been designed to be used in the installation of Samsung vandal dome cameras. The product is strong and corrosion-free since it is fabricated using aluminum alloy material. Various installation environments are supported for dynamic use.

3. Prior To Use

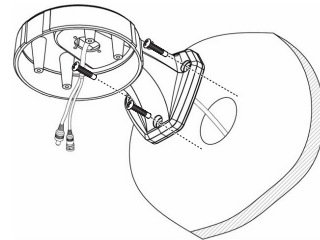
Avoid installing the mounting onto an unstable structure such as a gypsum wall panel. Install the mounting onto a strong structure such as a concrete wall, steel beam, etc. Use concrete screws with plugs or other installation tools when installing the mounting onto a concrete structure. Make sure that all the screw parts are metallic.
(Avoid screwing too close to the edge of a piece of wood when screwing into a wooden structure)

4. Installation Method

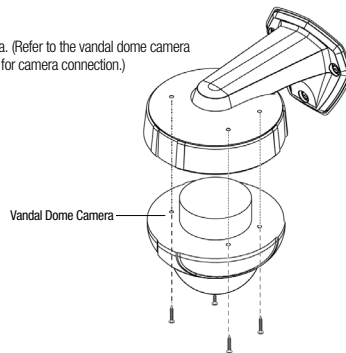
- ① Assemble the dome-camera installation mount.



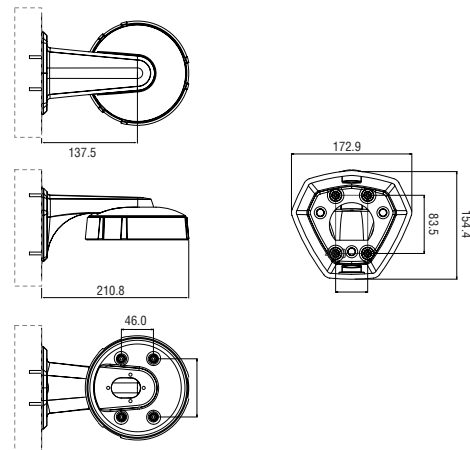
- ② Insert the cable into the assembled mount, arrange the cable properly, fix it with screws and attach the mount onto the wall.



- ③ Connect the vandal dome camera. (Refer to the vandal dome camera user manual or installation guide for camera connection.)



5. Dimensions(mm)



- **SAMSUNG TECHWIN CO., LTD.**
145-3, Sangdaewon 1-dong, Jungwon-gu, Seongnam-si, Gyeonggi-do 462-703, Korea
• TEL : +82-31-740-8137~8139 • FAX : +82-31-740-8145
- **SAMSUNG OPTO-ELECTRONICS UK, LTD.**
Samsung House, 1000 Hillwood Drive, Hillwood Business Park Chertsey, Surrey KT16 0PS
• TEL : +44-1932-45-5308 • FAX : +44-1932-45-5325
- **TIANJIN SAMSUNG OPTO-ELECTRONICS CO., LTD.**
7 Pingchang Rd, Nankai Dist. Tianjin 300190, P.R. China
• TEL : +86-22-2761-4724(33821) • FAX : +86-22-2761-6514
www.samsungtechwin.com
www.samsungcctv.com