

Long Distance UTP Solution



SID-460U

SID-47U

SID-53AU

High Resolution UTP Dome Camera

SID-460U/47U/53AU

SID-460U/47U/53AU are high resolution dome cameras with a built-in UTP transmitter that allows for long distance video transmission. The UTP cameras provide a cost effective solution to coax as well as provides ease of installation. The SID-460U/47U/53AU UTP cameras are fully compatible with existing coax products using Samsung Techwin's UTP transmission systems.

- Transmits clear video up to 1.8km
- Day & Night with ICR (SID-460U/47U)
- Min. illumination of 0.15Lux (SID-460U/47U)/0.04Lux (SID-53AU, Sens-up)
- High resolution of 580TV lines in color
- 3D filtering noise reduction technology, SSNRII

Preliminary

High Resolution UTP Dome Camera

SID-460U/47U/53AU



Specifications

| | SID-460UN | SID-460UP | SID-47UN | SID-47UP | SID-53AUN | SID-53AUP |
|----------------------------------|--|-----------------|--|-----------------|--|-----------------|
| ELECTRICAL | | | | | | |
| Input Voltage | 12V DC | | Dual (12V DC/ 24V AC) | | 12V DC | |
| Power Consumption | Max. 3.5W | | Max. 3.8W | | Max. 1.8W | |
| VIDEO | | | | | | |
| Imaging Device | 1/3" Vertical double density interline CCD | | 1/3" Super HAD CCD | | 1/3" Super HAD CCD | |
| Total Pixels | 811(H) x 508(V) | 795(H) x 596(V) | 811(H) x 508(V) | 795(H) x 596(V) | 811(H) x 508(V) | 795(H) x 596(V) |
| Effective Pixels | 768(H) x 494(V) | 752(H) x 582(V) | 768(H) x 494(V) | 752(H) x 582(V) | 768(H) x 494(V) | 752(H) x 582(V) |
| Scanning System | 2 : 1 Interlace | | 2 : 1 Interlace | | 2 : 1 Interlace | |
| Synchronization | Internal | | Internal / Line lock | | Internal | |
| Frequency | H : 15.734KHz / V : 59.94Hz H : 15.625KHz / V : 50Hz | | H : 15.734KHz / V : 59.94Hz H : 15.625KHz / V : 50Hz | | H : 15.734KHz / V : 59.94Hz H : 15.625KHz / V : 50Hz | |
| Horizontal Resolution | Color : 580TV lines (Min.) / B/W : 700TV lines (Min.) Color : 0.15Lux (50 IRE@F1.2), 0.0006Lux (Sens-up, 256X) B/W : 0.01Lux (50 IRE@F1.2) | | Color : 580TV lines (Min.) | | Color : 580TV lines (Min.) | |
| Min. Illumination | 52dB | | 52dB | | 52dB | |
| Video Output | CVBS : 1.0Vp-p / 75Ω | | CVBS : 1.0Vp-p / 75Ω | | CVBS : 1.0Vp-p / 75Ω | |
| LENS | | | | | | |
| Zoom Ratio | 3.6X (Manual) | | Fixed | | Fixed | |
| Focal Length | 2.8 ~ 10mm (F1.2) | | 3.7mm | | 3mm | |
| Max. Aperture Ratio | 1 : 1.2(Wide) ~ 2.8(Tele) | | F2.0 | | F2.0 | |
| Min. Object Distance | 0.2m (0.66ft) | | 0.4m (1.31ft) | | 0.4m (1.31ft) | |
| Angular Field of View | H : 94.4°(Wide) ~ 28°(Tele) V : 69.2°(Wide) ~ 21°(Tele) | | H : 71° V : 52° | | H : 95° V : 71° | |
| Focus | Manual | | - | | - | |
| Iris Control | Auto | | - | | - | |
| PAN / TILT / ROTATE | | | | | | |
| Pan Range | 0° ~ 340° | | 0° ~ 352° | | 0° ~ 360° | |
| Tilt Range | 0° ~ 146° | | 0° ~ 75° | | 20° ~ 90° | |
| Rotate Range | 0° ~ 340° | | 0° ~ 348° | | - | |
| OPERATIONAL | | | | | | |
| On Screen Display | Built-in (Multi-language support) | | Built-in (Multi-language support) | | - | |
| Camera Title | On / Off | | On / Off | | - | |
| Day & Night | Auto (ICR) / Color / B/W | | Auto (Electrical) / Color / B/W | | - | |
| Backlight Compensation | BLC / HLC / Off | | BLC / HLC / Off | | - | |
| Motion Detection | On / Off | | On / Off | | On / Off | |
| Digital Image Stabilization | On / Off | | - | | - | |
| Privacy Masking | On / Off (8 Programmable zones) | | On / Off (8 Programmable zones) | | - | |
| 3D Noise Filter (SSNRII) | On / Off | | On / Off | | Auto | |
| Sens-up (Frame Integration) | Auto / Off (Selectable limit ~ 256X) | | Auto / Off (Selectable limit ~ 256X) | | Auto | |
| Gain Control | Low / High / Off | | Low / High / Off | | Auto | |
| White Balance | ATW / AWC / Manual / Indoor / Outdoor | | ATW / AWC / Manual / Indoor / Outdoor | | Auto | |
| Electronic Shutter Speed | Auto (NTSC : 1/60 ~ 1/120,000sec, PAL : 1/50 ~ 1/120,000) / Manual / A.FLK | | - | | Auto | |
| Communication | RS-485 | | - | | - | |
| UTP | Built-in UTP transmitter | | Built-in UTP transmitter | | Built-in UTP transmitter | |
| Protocol | Samsung Techwin, Pelco-D | | - | | - | |
| Flip | On / Off | | On / Off | | - | |
| Mirror | On / Off | | On / Off | | - | |
| ENVIRONMENTAL | | | | | | |
| Operating Temperature / Humidity | -10°C ~ +50°C / 20% ~ 80% RH | | -10°C ~ +50°C / 20% ~ 80% RH | | -10°C ~ +50°C / 20% ~ 80% RH | |
| Storage Temperature / Humidity | -20°C ~ +60°C / 20% ~ 95% RH | | -20°C ~ +60°C / 20% ~ 90% RH | | -20°C ~ +60°C / 20% ~ 90% RH | |
| MECHANICAL | | | | | | |
| Dimension (WxH) | Ø141.2 x 105.5mm (Ø5.56" x 4.15") | | Ø107.5 x 84.7mm (Ø4.23" x 3.33") | | Ø104 x 67mm (Ø4.09" x 2.64") | |
| Weight | 560g (1.23 lb) | | 260g (0.57 lb) | | 180g (0.4 lb) | |
| Certifications | FCC (Class A) | | CE (Class A) | | FCC (Class A) CE (Class A) | |

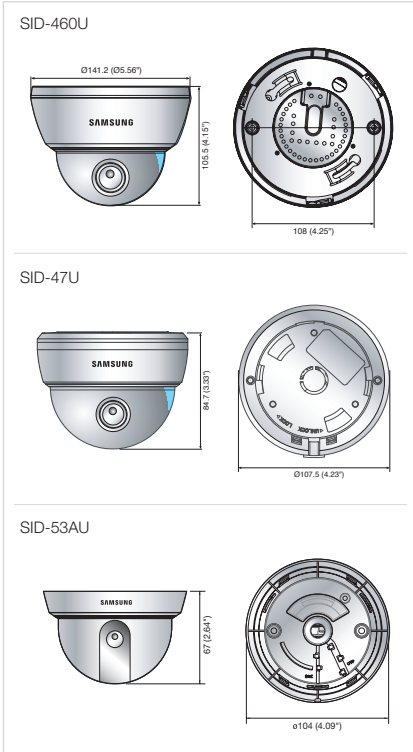
UTP Line-up

| | | |
|--|--------------------------------------|--|
| <p>UTP Camera</p> <p>SHC-735AU SDC-425U</p> | <p>UTP Kit</p> <p>SUJ-800</p> | <p>UTP DVR</p> <p>SVR-9416/9016</p> |
| <p>UTP Dome Camera</p> <p>SID-460U SID-47U SUD-53AU</p> | <p>SUT-10 SUR-10</p> | |



Dimensions

Unit : mm (inch)



The **Eco mark** represents Samsung Techwin's will to create environment-friendly products, and indicates that the product satisfies the EU RoHS Directive.

Design and specifications are subject to change without notice.



SAMSUNG TECHWIN CO., LTD.
148-3, Sangdaewon 1-dong, Jungwon-gu, Seongnam-si, Gyeonggi-do Korea 462-703
Tel : +82-31-740-8151-8 Fax : +82-31-740-8145
www.samsungcctv.com

SAMSUNG TECHWIN AMERICA Inc.
1480 Charles Willard St, Carson, CA 90746, UNITED STATES
Tel Free : +1-877-213-1222 Fax : +1-310-632-2195
www.samsungcctvusa.com

SAMSUNG TECHWIN EUROPE CO., LTD.
Samsung House, 1000 Hillwood Drive, Hillwood Business Park
Chertsey, Surrey, UNITED KINGDOM KT16 0PS
Tel : +44-1932-45-5300 Fax : +44-1932-45-5325

TIANJIN SAMSUNG TECHWIN OPTO-ELECTRONICS CO., LTD.
No.11 Wei 6 Street, Micro-Electronic Industrial Park
Jingang Road, Tianjin, P.R. CHINA 300385
Tel : +86-22-23887788 Fax : +86-22-23887788

■ DISTRIBUTED BY

