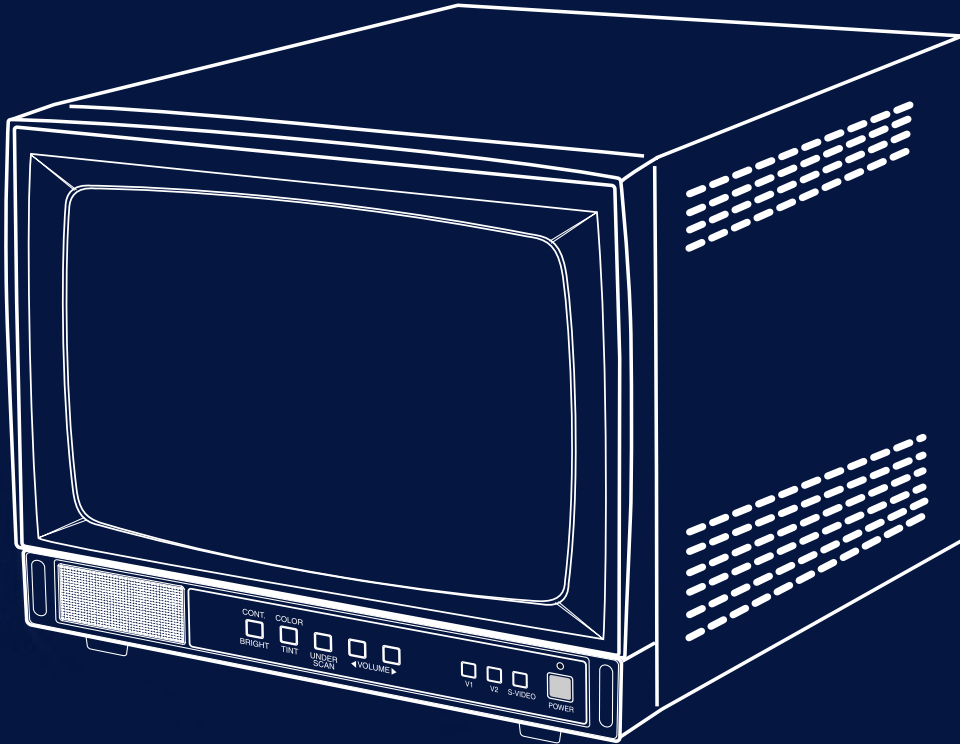


SAMSUNG

ENGLISH



CCTV COLOR MONITOR

INSTRUCTION MANUAL

SAM-14MV

IMPORTANT SAFETY INSTRUCTION

- 1) Read these instructions.
- 2) Keep these instructions.
- 3) Heed all warnings.
- 4) Follow all instructions.
- 5) Do not use this apparatus near water.
- 6) Clean only with dry cloth.
- 7) Do not block any ventilation openings. Install in accordance with the manufacturer's instructions.
- 8) Do not install near any heat sources such as radiators, heat registers, stoves, or other apparatus (including amplifiers) that produce heat.
- 9) Do not defeat the safety purpose of the polarized or grounding-type plug. A polarized plug has two blades with one wider than the other. A grounding type plug has two blades and a third grounding prong. The wide blade or the third prong are provided for your safety. If the provided plug does not fit into your outlet. Consult an electrician for replacement of the obsolete outlet.
- 10) Protect the power cord from being walked on or pinched particularly at plugs, convenience receptacles, and the point where they exit from the apparatus.
- 11) Only use attachments/accessories specified by the manufacturer.
- 12) Use only with the cart, stand, tripod, bracket, or table specified by the manufacturer, or sold with the apparatus. When a cart is used, use caution when moving the cart/apparatus combination to avoid injury from tip-over.

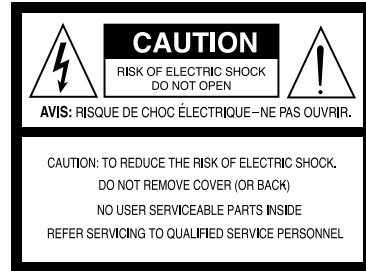


- 13) Unplug this apparatus during lightning storms or when unused for long periods of time.
- 14) Refer all servicing to qualified service personnel. Servicing is required when the apparatus has been damaged in any way, such as power-supply cord or plug is damaged, liquid has been moisture, does not operate normally, or has been dropped.
- 15) The apparatus shall not be exposed to dripping or splashing and that no objects filled with liquids, such as vases, shall be placed on the apparatus.

◆ WARNING

TO REDUCE THE RISK OF FIRE OR ELECTRIC SHOCK, DO NOT EXPOSE THIS MONITOR TO RAIN OR MOISTURE. DO NOT INSERT ANY METALLIC OBJECT THROUGH VENTILATION GRILLS.

◆ CAUTION



Explanation of Graphical Symbols.



This lightning flash with arrowhead symbol within an equilateral triangle is intended to alert the user to the presence of uninsulated dangerous voltages within the product's enclosure that may be of sufficient magnitude to constitute a risk of electric shock to persons.



The exclamation point within an equilateral triangle is intended to alert the user to the presence of important operating and maintenance (Servicing) instructions in the literature accompanying the appliance.

PRECAUTIONS

◆ Safety

- Should any liquid or solid object fall into the cabinet, unplug the unit and have it checked by qualified personnel before operating it any further.
- Unplug the unit from the wall outlet if it is not going to be used for several days or more. To disconnect the cord, pull it out by the plug. Never pull the cord itself.
- Allow adequate air circulation to prevent internal heat buildup. Do not place the unit on surfaces (rugs, blankets, etc.) or near materials (curtains, draperies) that may block the ventilation holes.

◆ Installation

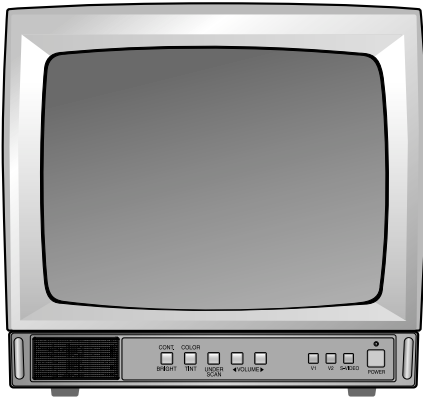
- Do not install the unit in an extremely hot or humid place or in a place subject to excessive dust or mechanical vibration.
- The unit is not designed to be waterproof. Exposure to rain or water may damage the unit.

◆ Cleaning

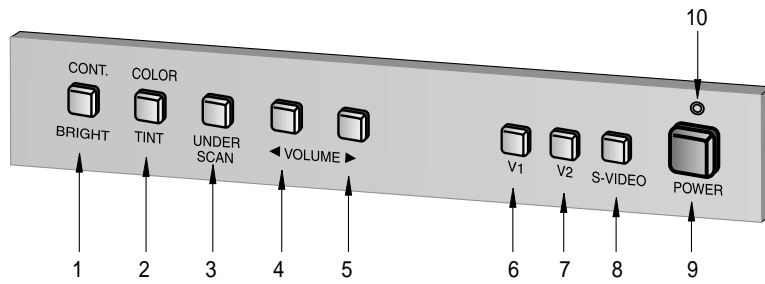
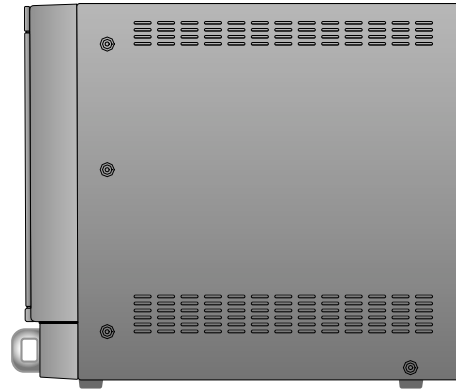
- Clean the unit with a slightly dampened soft cloth. Use a mild household detergent. Never use strong solvents such as thinner or benzene as they might damage the surface of the unit.

LOCATION CONTROLS

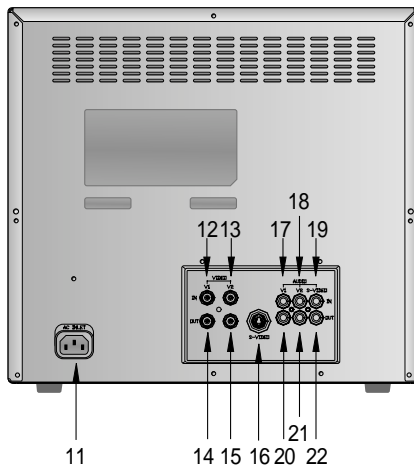
◆ Front View



◆ Side View



◆ Rear View



- | | |
|--------------------|-----------------------|
| 1. BRIGHT/CONT. | 13. VIDEO 2 IN |
| 2. TINT/COLOR | 14. VIDEO 1 OUT |
| 3. UNDER SCAN | 15. VIDEO 2 OUT |
| 4. VOLUME DOWN | 16. S-VIDEO |
| 5. VOLUME UP | 17. AUDIO V1 IN |
| 6. VIDEO 1 | 18. AUDIO V2 IN |
| 7. VIDEO 2 | 19. AUDIO S-VIDEO IN |
| 8. S-VIDEO | 20. AUDIO V1 OUT |
| 9. POWER BUTTON | 21. AUDIO V2 OUT |
| 10. POWER LED LAMP | 22. AUDIO S-VIDEO OUT |

LOCATION AND OPERATION OF CONTROLS

1. CONTRAST/ BRIGHTNESS

After press this button, adjust the CONTRAST/**BRIGHTNESS** control for the desired overall display by press vol-(◀) and vol+(▶) buttons.

2. COLOR/ TINT

After press this button, adjust the COLOR control to set the color saturation level and TINT control for the proper color phase or flesh tones by press vol-(◀) and vol+(▶) buttons.

3. UNDER SCAN

Press the button, select the desired display size which over scan and under scan.

4. VOLUME -

Adjust the VOLUME control for the desired audio level and use for adjustment of the others button.

5. VOLUME +

Adjust the VOLUME control for the desired audio level and use for adjustment of the others button.

6. VIDEO 1 TACT SWITCH

Set the switch to VIDEO 1 if the camera jack is used.

7. VIDEO 2 TACT SWITCH

Set the switch to VIDEO 2 if the camera jack is used.

8. S-VIDEO TACT SWITCH

Set the switch to S-VHS if the S-VIDEO jack is used.

9. POWER SWITCH

Press to turn the monitor ON. The POWER LAMP above the switch will illuminate.

10. POWER LED LAMP

Power lamp indicates the power is on.

11. AC INLET

Use 100-240V AC, 50/60 Hz.

To prevent electrical shocks and fire hazards, do not use any other power source.

12 ~ 15. VIDEO INPUT & OUTPUT CONNECTORS

These BNC connectors permit looping of a video signal in those installations where it is desirable to display the video signal on more than one monitor. A standard 1.0 Vp-p video signal applied to the VIDEO INPUT will also appear at the VIDEO OUTPUT. Use coaxial cables with BNC type plugs for these connections.

16. S-VIDEO JACK

If the camera or other video source outputs an S-VIDEO signal, connect it directly to this jack.

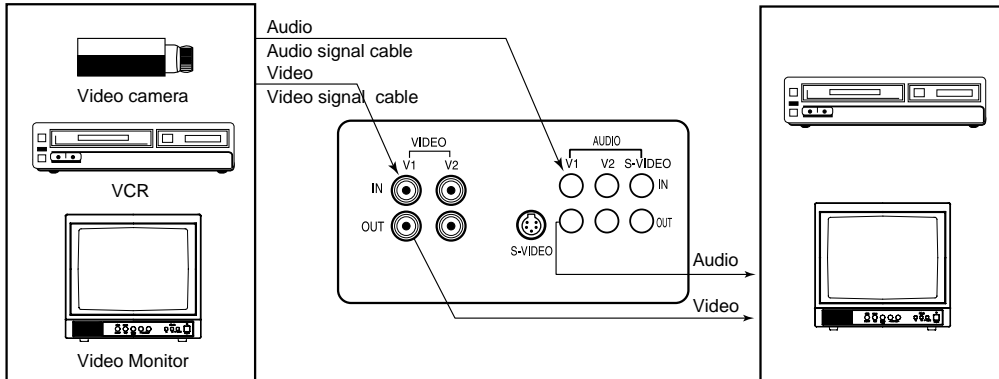
17 ~ 22. AUDIO INPUT & OUTPUT CONNECTORS

Connect an RCA cable between these jacks and the audio output jack of a camera or VCR.

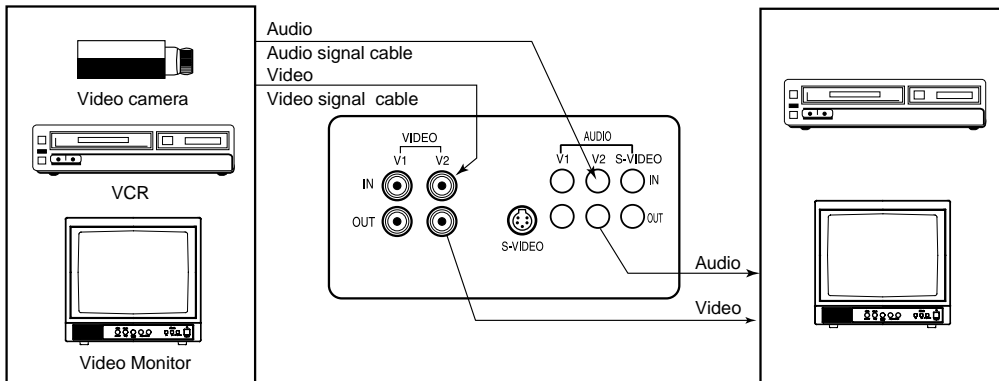
POSSIBLE CONNECTIONS

- Read the installation/operation manual thoroughly before connecting equipment.
- Turn off the power source before connecting the monitor and external equipment.

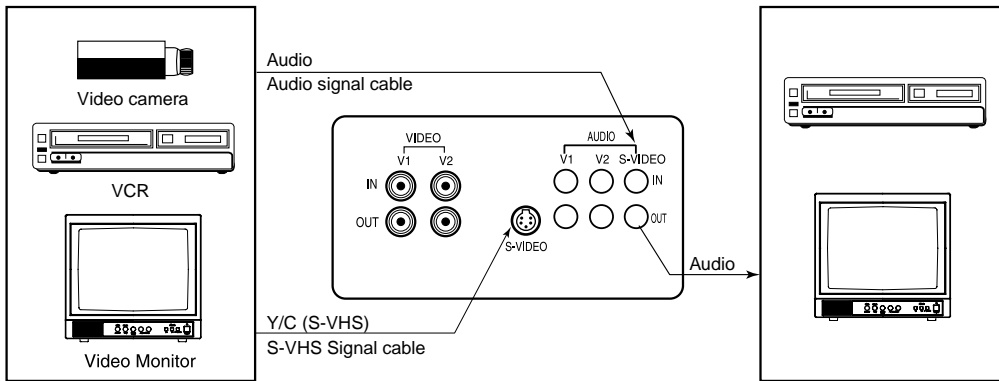
VIDEO 1 Connection (Select input VIDEO 1 button)



VIDEO 2 Connection (Select input VIDEO 2 button)



S-VIDEO connection (Select input S-VIDEO button)



SAFETY INSTRUCTIONS

IMPORTANT SAFEGUARDS

All the safety and operating instructions should be read before the monitor is operated. Retain the instructions for future reference.

1. HEED WARNINGS

All warnings on the monitor and in the operating instructions should be adhered to.

2. FOLLOW INSTRUCTIONS

All operating instructions should be followed.

3. CLEANING

Unplug the monitor from the wall outlet before cleaning.

Do not use liquid or aerosol cleaners. Use a cloth slightly dampened with mild household detergent only.

4. WATER AND MOISTURE

Do not use this monitor near water, for example, near a bathtub, wash bowl, kitchen sink, swimming pool, laundry tub, or in a wet basement.

5. ACCESSORIES

Do not place this monitor on an unstable cart, stand, tripod, bracket, or table. Do not drop.

6. VENTILATION

Slots and openings in the cabinet are provided for ventilation.

To ensure reliable operation of this monitor and to protect it from overheating, the openings must not be blocked or covered.

This monitor should never be placed near or over a radiator or heat register or in a built-in installation, such as a bookcase or rack, unless proper ventilation is provided.

7. POWER SOURCES

This monitor should be operated only from the power source indicated on the product label.

8. POWER CORD PROTECTION

Power supply cords should be routed so that they are not likely to be walked on or pinched by items placed on or against them. Pay particular attention to cords and plugs, convenience receptacles, and the point where they exit from the unit.

9. This equipment is provided with a three-wire grounding type plug having a third (grounding) pin. This plug will only fit into a grounding type power outlet. This is a safety feature. If you are unable to insert the plug into the outlet, contact your electrician to replace your obsolete outlet.

Do not defeat the safety purpose of the grounding type plug.

10. OVERLOADING

Do not overload outlets and extension cords. This can result in a risk of fire or electrical shock.

11. OBJECT AND LIQUID ENTRY

Never push objects of any kind into this monitor through openings, as they may touch dangerous voltage points or short-out parts that could result in a fire or electrical shock. Never spill liquid of any kind on the monitor.

12. SERVICING

Do not attempt to service this product yourself, as opening or removing covers may expose you to dangerous voltage or other hazards. Refer all servicing to qualified service personnel.

SPECIFICATIONS

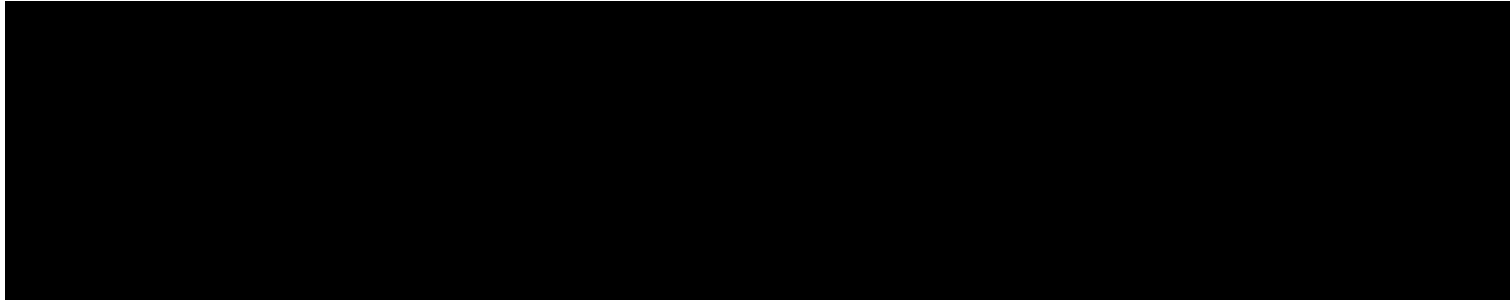
◀ Picture Tube	14-inch diagonal,90° deflection angle
◀ Power Source	100-240V AC, 50/60 Hz
◀ Power Consumption	45 Watts
◀ System	PAL / NTSC
◀ Sound output	1.0 W
◀ Resolution	Center resolution : 450 TV lines or more
◀ Speaker	3 W , 70 mm X 40 mm
◀ Terminals	Video input level/impedance: 1.0 Vpp/75 Ω Video output level/impedance: 1.0 Vpp/75 Ω S-VIDEO INPUT Audio input level/impedance: 0.3 Vrms/25K Ω over Audio output level/impedance: 0.3 Vrms/4.7K Ω under
◀ Dimensions(W x H x D)	13.8 in x 12.9 in x 14.6 in (350 x 328 x 371 mm)
◀ Weight	Approx. 30.9 lb (14Kg)
◀ Operating Temperature	0-40°C (32-106° F)

Design and specifications are subject to change without notice.



Warning

This is a Class B product. In a domestic environment this product may cause radio interference in which case the user may be required to take adequate measures.





SAMSUNG TECHWIN CO., LTD.
145-3 Sangdaewon 1-Dong, Joongwon-Gu
Sungnam, Kyungki-Do, Korea
462-121
TEL: 82-342-740-8137-8141
FAX: 82-342-740-8145

SAMSUNG OPTO-ELECTRONICS AMERICA, INC.
CLOSED CIRCUIT VIDEO DIV.
40 Seaview Drive, Secaucus N.J. 07094,
U.S.A
TEL: 201-902-0347
FAX: 201-902-9342

SAMSUNG TECHWIN CO., LTD.
FRANKFURT OFFICE.
Samsung Haus, Am Kronberger
Hang 6, 65824, Schwalbach,
TS. Germany
TEL: 49(0)6196-667500 FAX: 49(0)6196-667566

SAMSUNG OPTO-ELETRÔNICA DO BRASIL LTDA.
Rua Professor Manoelito de Ornellas 303 * 2º andar
Chácara Santo Antônio * CEP : 04719-040
São Paulo * SP * Brasil
TEL: 55-11-5642-0757
FAX: 55-11-5641-8023

