



**24**-HOUR  
Clear & Bright  
Best Partner for Day & Night Cameras!



1/3" CS-mount Day & Night Varifocal Lens

## SLA-3580DN

- Day & Night corrected for visible & infrared lighting without shift in focus
- Excellent image quality in low light with a high aperture of F1.0
- Built-in DC auto iris for automatic adjustments to light change
- Reduced color aberrations using extra-low dispersion glass
- Wide 3.5mm view to telephoto 8.0mm, CS-mount type
- Best for Day & Night cameras to provide 24-hour clear images

**SAMSUNG TECHWIN**

**SAMSUNG**



1/3" CS-mount Day & Night Varifocal Lens

# SLA-3580DN

SLA-3580DN, 1/3" Day & Night Varifocal Lens with Auto Iris provides 3.5 to 8.0mm-wide angle of view and has special IR-corrected optics built into the design, which makes the lens compatible with both visible and infrared lighting without a shift in focus between lighting types. The high optical performance is achieved by a sophisticated optical design and the use of ultra low dispersion glass. The lens also has a high aperture of F1.0 which results in excellent image quality even under low illumination conditions.

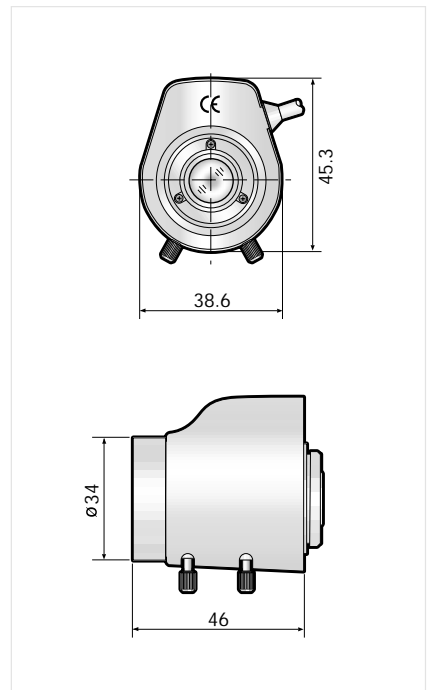


## Specifications

Mode		SLA-3580DN
Focal Length		3.5 ~ 8mm
Max. Aperture Ratio		1 : 1.0 ~ 360
Zoom		Apprx. 2.3X Magnification
Max. Image Format		4.8(H) x 3.6(V)
Operation	Iris	Auto (F 1.0 ~ 360)
	Focus	Manual
	Zoom	Manual
Angle of View	Diagonal	111.2° ~ 44.7°
	Horizontal	83.5° ~ 35.6°
	Vertical	60.4° ~ 26.6°
Iris Type		DC
Back Focal Length		8.7 ~ 14.7mm
Flange Back Length		12.5mm
Iris Coil	Drive	190° ±10%
	Control	685Ω ±7.5%
Mount		CS-Mount
Operating Temperature		-10°C ~ +50°C
Dimensions		38.6(W) x 45.3(H) x 46(L)mm
Weight		54.5g

## Dimensions

Unit : mm



The Eco mark represents Samsung Techwin's will to create environment-friendly products, and indicates that the product satisfies the EU RoHS Directive.

Design and specifications are subject to change without notice.



**SAMSUNG TECHWIN CO., LTD.**  
333-1, Sangdaewon 1-dong, Jungwon-gu,  
Seongnam-si, Gyeonggi-do Korea 462-807  
Tel. : +82-31-730-8931~3 Fax. : +82-31-730-8950  
www.samsungcctv.com

**SAMSUNG OPTO-ELECTRONICS UK, LTD.**  
Samsung House, 1000 Hillwood Drive,  
Hillwood Business Park Chertsey, Surrey KT16 0PS  
Tel. : +44-1932-45-5308 Fax. : +44-1932-45-5325

**TIANJIN SAMSUNG OPTO-ELECTRONICS CO., LTD.**  
7 Pingchang Rd., Nankai Dist. Tianjin 300190, P.R.China  
Tel. : +86-22-2761-4724(33821) Fax. : +86-22-2761-6514

■ DISTRIBUTED BY



I.D-0705