



Breaking through the Total Darkness  
High Performance **IR LED** Camera

High Resolution Day & Night IR LED Dome Camera

# SIR-4250

- 0Lux Min. Illumination, 24-hour monitoring with Day & Night (ICR)
- Built-in vari-focal lens (3.8~9.5mm), High power black IR LEDs
- High-resolution of 520TVL (Color), High sensitivity of 0.005Lux
- Privacy zone masking, RS-485 protocol support, 3D hinge dome base
- Cleaner image with SSNR, Wide range white balance

Preliminary

**SAMSUNG TECHWIN**

**SAMSUNG**

# High Resolution Day & Night IR LED Dome Camera

# SIR-4250

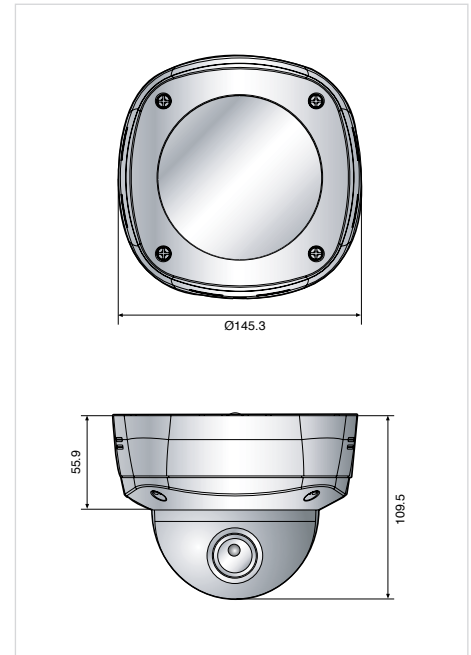


## Specifications

Mode		SIR-4250N	SIR-4250P
Power Source		12V DC (±10%)	
Power Consumption		Max. 3.6W (LED On)	
Image Pick-up Device		1/3" Super HAD CCD	
Total Pixels		811(H) x 508(V)	795(H) x 596(V)
Effective Pixels		768(H) x 494(V)	752(H) x 582(V)
Scanning System		2 : 1 Interlace 525 Lines / 60 Fields / 30 Frames	2 : 1 Interlace 625 Lines / 50 Fields / 25 Frames
Synchronization		Internal / Line lock selectable	
Scanning Frequency		Horizontal : 15,734KHz / Vertical : 59.94Hz	Horizontal : 15,625KHz / Vertical : 50Hz
Horizontal Resolution		Color : 520TV lines (Min.) / B/W : 570TV lines (Min.)	
Video Output		1.0Vp-p / 75Ω (Video 0.714Vp-p, Sync 0.286Vp-p)	1.0Vp-p / 75Ω (Video 0.7Vp-p, Sync 0.3Vp-p)
S / N Ratio (Y signal)		50dB (AGC off, Weight on)	
Min. Illumination	LED On	0 Lux@F1.2 (B/W mode)	
	LED Off	0.3Lux@F1.2 (Normal color mode) 0.002Lux@F1.2 (Sens-up mode)	
Lens		2.5X Auto iris varifocal lens (F1.2, 3.8 ~ 9.5mm)	
IR LED		10ea	
IR Distance		16m	
Back Light Compensation		Low / Middle / High / Off selectable	
Day & Night		Color / B/W / Auto selectable (ICR filter change)	
Gain Control		Low / High / Off selectable	
White Balance		ATW / AWC / Manual selectable (1,800°K ~ 10,500°K)	
Electronic Shutter Speed		Fixed (1/60 / Flickerless)	Fixed (1/50 / Flickerless)
Sens-up		On / Off (Selectable limit ~ 128X)	
OSD		5 Key, RS-485 Control	
SSNR		Low / Middle / High / Off selectable	
Motion Detection		On / Off selectable	
Privacy Function		On / Off selectable (4 Programmable zones)	
Mirror		On / Off selectable	
Sharpness		On / Off selectable	
Communication		RS-485 (Pelco-D)	
Iris Control		DC / Video	
Operating Temperature		-10°C ~ +50°C	
Operating Humidity		30% ~ 80% RH	
Dimensions		Ø145.3(W) x 109.5 (H)mm	
Weight		1.04Kg	

## Dimensions

Unit : mm



The Eco mark represents Samsung Techwin's will to create environment-friendly products, and indicates that the product satisfies the EU RoHS Directive.

Design and specifications are subject to change without notice.



**SAMSUNG TECHWIN CO., LTD.**  
333-1, Sangdaewon 1-dong, Jungwon-gu,  
Seongnam-si, Gyeonggi-do Korea 462-807  
Tel. : +82-31-730-8931-3 Fax : +82-31-730-8950  
www.samsungcctv.com

**SAMSUNG OPTO-ELECTRONICS UK, LTD.**  
Samsung House, 1000 Hillswood Drive,  
Hillswood Business Park Chertsey, Surrey KT16 0PS  
Tel. : +44-1832-45-5308 Fax : +44-1932-45-5325

**TIANJIN SAMSUNG OPTO-ELECTRONICS CO., LTD.**  
7 Pingchang Rd., Nankai Dist. Tianjin 300190, P.R China  
Tel. : +86-22-2761-4724(33821) Fax : +86-22-2761-6514

■ DISTRIBUTED BY



I.D-0710