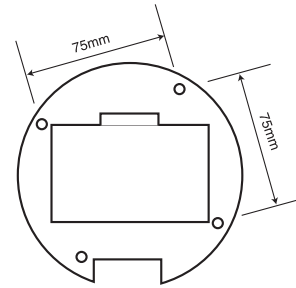
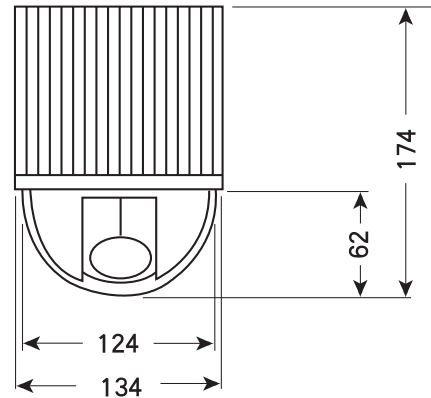


INTELLIGENT 5" SPEED DOME CAMERA



This all - in - one unit with a 1/4-type color CCD camera, 18x zoom lens, and rotating chassis is packed inside a sleek $\varnothing 134\text{mm}$ diameter housing that fits discretely in almost any location.

With its full 360° horizontal rotation, 180° vertical pan, and $250^\circ/\text{second}$ speed, surveillance of any subject is constant and continuous.



SPECIFICATION

Item	AU-G10-SC18
Effective pixels	752(H)x582(V)
Scanning area	3.6mm(H)x2.71mm(V); 1/4inch
Video output	1.0Vp-p
Horizontal resolution	More than 470 TVL
S/N Ratio	$\geq 50\text{dB}$
Minimum illumination	1Lux
Iris	Auto/Manual
Focus	Auto/Manual
Focal length	f4.1-73.8mm
Zoom ratio	X18 digital zoom X4
White Balance	ATW/Auto /Manual
BLC	ON/OFF
panning range	360° endless
pan speed	$0.5\text{--}250^\circ/\text{sec}$
Tilt range	$0\text{--}90^\circ$
Tilt speed	$0.5\text{--}130^\circ/\text{sec}$
Communication	RS485
Controls	Pan/Tilt;lens;80 preset positions
Auto pan	ON/OFF
Auto Tracking mode	ON/OFF;4 cruising tracks
Power source	DC 12V 2A
Operating temperature	$0\text{--}40^\circ\text{C}$
Dimensions	$\varnothing 134 \times 174\text{mm(H)}$
Weight	Approx 1.3Kg
Day/Night	No

FEATURES

- High horizontal resolution
- Auto focus lens
- Rs485 data communication
- Panning speed of max $250^\circ/\text{s}$ at sequential mode
- Auto panning function with 80 preset positions
- Optional smoke dome cover available

Recommended Controller



OUTDOOR SPEED DOME CAMERA



The new AU -G40-WB18- AU-G40-WB27 Series are a vandal resistant outdoor housing with a zoom in an all- in -one color/mono switch-over dome camera making it ideal for outdoor applications

The rugged body meets international IP66 standards for dust and moisture resistance, and can be installed as - is under eaves or on exterior walls.

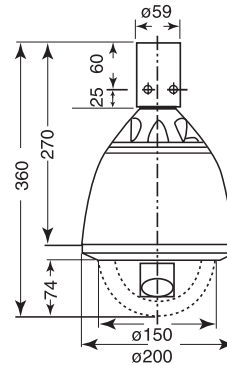
These cameras are ideal for various applications such as outdoor parking lots, retail sites ,town centre surveillance, hotels, office and other buildings, expressway and parks.

OPITIONAL ACCESSORIES

**WALL BRACKET
AU-VD-9115**



**SUN SHIELD
AU-VD-7176**



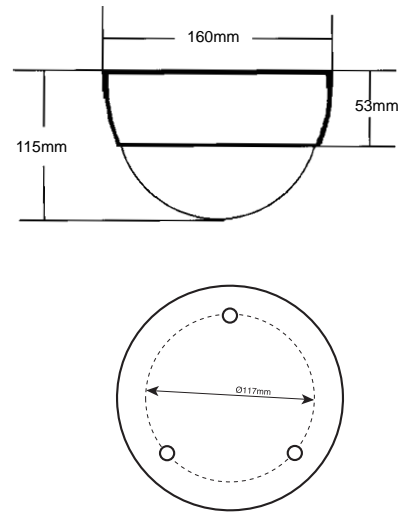
FEATURES

- All weather proof environmental structure
- All -in -one dome color unit with low -light B/W mode
- Switches from selected color mode to B/W mode ,automatically or manually for day night 24-hour surveillance.
- Auto panning function with 80 preset positions.
- panning speed of max .250degree/s at sequential mode
- Auto focus lens
- RS 485 data communication
- Optional smoke dome cover available
- Sunshield available

SPECIFICATION

Item	AU-G40-WB18	AU-G40-WB27
Effective pixels	752(H)x582(V)	
Scanning area	3.6mm(H) x 2.71mm(V);1/4inch	
Video output	1.0Vp-p	
Horizontal resolution	More than 470 TVL	More than 450 TVL
S/N Ratio	≥ 50dB	≥ 48dB
Minimum illumination	1Lux/0.01Lux B/W mode	1Lux/0.01Lux B/W mode
Iris	Auto/Manual	Auto/Manual
Focus	Auto/Manual	Auto/Manual
Focal length	f4.1~73mm	f3.25~88mm
Zoom ratio	X18 digital zoom X12	X27digital zoom X8
White Balance	Auto /Manual	Auto /Manual
BLC	ON/OFF	ON/OFF
Day/Night mode	Auto/Manual	Auto/Manual
panning range	360° endless	
pan speed	0.5~250°/sec	
Tilt range	0~90°	
Tilt speed	0.5~130°/sec	
Communication	RS485	
Controls	Pan/Tilt;lens;80 preset positions	
Auto pan	ON/OFF	
Auto Tracking mode	ON/OFF;4 cruising tracks	
Power source	AC230V 50Hz 18W(48W at heater on)	
Operating temperature	-30℃ ~ +50℃	
Dimensions	Ø200 x 360mm(H)	
Weight	Approx 5Kg	
Day/Night	Yes	Yes

MINI P/T DOME CAMERA



The 5" mini dome is an integration of the cutting-edge technique, most developed manufacturing process and years of full experience in the industry. Equipped with high-resolution camera and digital decoder, it represents the trend of the new edition of surveillance product. Being complete-digital-controlled and flexible programmable, it performs an excellent fast-location and continuous object tracing. The simple and compact structure ensures high reliability and long term running. Super features lead a wide variety of use in large area surveying and moving object tracing. For instance, integration building and banks securing, traffic supervising, power stations watching, airports and stations monitoring. The protocol is open and the dome is compatible with the host of systems.

KEY FEATURES:

- Adjustable cruising speed (0.45° ~45° /sec)
- 355° horizontal rotation
- Contain 1 cruising tracks, each cruising track has 16 preset positions
- Auto white balance
- RS485 communication distance up to 1.2km

Item	AU-G20-SC03
Effective pixels	500(H) X 582(V)
Scanning area	1/4"CCD
Video output	Color 1.0V p-p
Horizontal resolution	More than 420TVL
S/NRatio	≥ 48dB
Minimum illumination	1Lux
Iris	Manual
Focal length	f3.6mm
White Balance	Auto
Panning range	0°-355°
Pan speed	0.45-45°/sec
Tilt range	0-90°
Tilt speed	0.45-45°/sec
Communication	RS485
Controls	Pan /Tilt; 16 preset positions
Auto pan	ON /OFF
Auto Tracking mode	ON/OFF; 1 cruising tracks
Power source	DC 12V 1A
Operating temperature	0-40°C
Dimensions	ø160 x 115mm(H)
Weight	Approx 0.7Kg

Recommended Controller



HIGH SPEED DOME CAMERA



This speed dome camera is a compact high-speed unit with an integral receiver and camera / lens module. The speed dome camera is based on a combination of modular mix-and-match components, including housings for indoor and outdoor use, drive units, mounting accessories, and a new family of sophisticated camera / lens combinations.

KEY FEATURES:

- Adjustable cruising speed (0.9° ~240° /sec)
- 360° continue horizontal rotation
- 180° vertical auto-flip
- Contains 4 cruising tracks, each cruising track has 16 preset positions, dwell time and call speed of each preset position can be setup.
- With outdoor double roof-housing can be used for outdoor.
- Auto-Iris
- Auto-Focus
- Backlight compensation
- RS485 communication distance up to 1.2km
- Power input DC12V, consumption 15W
- Weight: 2Kg
- Dimension: ø160x195(high) mm



AU-CC-MC108
ALARM PRESET BOX

Up to 8 alarms can be set with the speed dome unit via au-cc-mc108, each alarm is set to a particular preset position. It is able to control external devices, such as turning on lights.

Optical Zoom	AU-CC-100P18S	AU-CC-180P
Image Sensor	1/4" CCD	1/4"Color CCD
Active Pixels	752H x 582V	752H x 582V
Electronic Shutter	1/3 to 1/10000sec	1/3to 1/10000sec
Min. Illumination	1Lux color	1Lux color 0.01Lux mono
Lens Focal Length	f4.1~f73.8mm	f 4.1~f73.8mm
Resolution	≥ 470TVL	≥ 470TVL
S/N Ratio	≥ 50dB	≥ 50dB
White Balance	Auto / Manual	Auto / Manual
preset positions	64	64
Day/Night	No	Yes



AU-CC-MC05
SURFACE MOUNT



AU-CC-MC08
CEILING MOUNT DOME
HOUSING



AU-CC-MC07
DROP CEILING MOUNT
ACCESSORRY



AU-CC-D08
OUTDOOR HOUSING
WITH SUN SHIELD
AU-VD-9105
WALL BRACKET

CCD CAMERA



AU-VC-EX45AP

COLOR ZOOM CAMERA

Pickup Device: 1/4" type IT CCD

Picture Elements: PAL:752(H) x 582(V)

NTSC:768(H) x 494(V)

System of Signal: PAL/NTSC

Horizontal Resolution: More than 460TV line

Built in lens: 18x, f=4.1 to 73.8 (F1.4 to F3.0)

Digital Zoom: 12x(216x with optical zoom)

Sync.System: Internal/External(V-LOCK)

S/N Ratio: More than 50dB (AGC OFF)

Minimum Illumination: 1.5Lux(F1.4, normal shutter speed)

Electronic Shutter: 1/50(1/60)-1/100,000sec

White Balance: Auto tracking White balance

Focusing System: Normal AF - Zoom Trigger AF

Picture Effect: Neg - Mirror

Control Interface: Line control, RS485, IR Remote(selectable)

Video Output: 1.0Vp-p75 Ω(BNC)

Power Requirement: DC 12V, 150mA

Power Consumption:150mA

Dimensions:57.5mm x 65mm x 115.7mm

LENS: OPTIONAL



AU-VC-814

COLOR CAMERA

Pickup Device: 1/4" SONY Super HAD CCD

Picture Elements: PAL:500(H) x 582(V)

NTSC:510(H) x 492(V)

Sensing Area: 3.6mm x 2.7mm

System of Signal: PAL/NTSC

Horizontal Resolution: 420TV lines

Lens Mount: CS/C Mount (C Mount adaptor option)

Electronic Shutter Control: ON/OFF switchable

Backlight Compensation: ON/OFF switchable

Electronic Shutter: 1/50(1/60) --- 1/100,000sec

Auto Iris Lens: VIDEO/DC Switchable

White Balance: auto tracking white balance

S/N Ratio: more than 48db (AGC OFF)

Minimum Illumination: 1.0Lux/F1.2

Video Output: 1.0Vp-p, 75 Ω

Power Requirement: DC12V

Power Consumption: 120mA

Video Out: BNC

Dimensions: 50mm x 50mm x 100mm



AU-VC-813

COLOR CAMERA

Pickup Device: 1/3" SONY Super HAD CCD

Picture Elements: PAL:500(H) x 582(V)

NTSC:510(H) x 492(V)

Sensing Area: 4.9mm x 3.7mm

System of Signal: PAL/NTSC

Horizontal Resolution: 420TV lines

Lens Mount: CS/C Mount (C Mount adaptor option)

Electronic Shutter Control: ON/OFF switchable

Backlight Compensation: ON/OFF switchable

Electronic Shutter: 1/50(1/60)-1/100,000sec

Auto Iris Lens: VIDEO/DC switchable

White Balance: auto tracking white balance

S/N Ratio: more than 48db (AGC OFF)

Minimum Illumination: 0.8Lux/F1.2

Video Output: 1.0Vp-p, 75 Ω

Power requirement: DC12V

Power Consumption: 130mA

Video Out: BNC

Dimensions: 60mm x 50mm x 125mm



AU-VC-312

B/W CAMERA

Pickup Device: 1/3" LG CCD

Picture Elements: CCIR:500(H) x 582(V)

EIA:510(H) x 494(V)

Sensing Area: 4.9mm x 3.7mm

System of Signal: CCIR/EIA

Horizontal Resolution: 420TV lines

Lens Mount: CS/C Mount (C Mount adaptor option)

Electronic Shutter: 1/50(1/60)-1/100,000 secretory

Auto Iris Lens: VIDEO

S/N Ratio: more than 48db

Minimum Illumination: 0.1Lux/F1.2

Video Output: 1.0Vp-p, 75 Ω

Power requirement: DC12V/100mA

Video Out: BNC

Dimensions: 50mm x 50mm x 100mm

CAMERA



LENS: OPTIONAL



FEATURES

- Alternative power source operation:AC230V
- 1/3" type SONY CCD
- Ideal for low light applications
- BLC ON/OFF switchable
- Accepts Video or DC auto iris lenses

Item	AU-VC-820	AU-VC-828	AU-VC-860
Pickup Device	1/3" SONY Super HAD CCD		1/3" Exview HAD CCD
Picture Elements: PAL NTSC	500H x 582V 510H x 492V	752H x 582V 768H x 494V	500H x 582V 510H x 492V
Sensing Area	4.9mm x 3.7mm		
System of Signal	PAL/NTSC		
Horizontal Resolution	420TV Lines	480TV Lines	420TV Lines
Lens Mount	CS/C Mount (C Mount adaptor option)		
Electronic Shutter Control	ON/OFF switchable		
Backlight Compensation	ON/OFF switchable		
Electronic Shutter	1/50(1/60)-1/100,000sec		
Auto Iris Lens	VIDEO/DC Switchable		
White Balance	Auto tracking white balance		
S/N Ratio	More than 48dB(AGC OFF)		
Minimum IL Luminance	0.8Lux/F1.2	1.0Lux/F1.2	0.01Lux/F1.2
Video Output	1.0Vp-p,75Ω		
Power Requirement	AC230V		
Power Consumption	Less than 2.8W		
Video Out	BNC		
Dimensions	66mm x 59mm x 130mm		

B/W CAMERA



LENS: OPTIONAL



FEATURES

- Alternative power source operation:AC230V
- 1/3" type SONY CCD
- Ideal for low light applications
- BLC ON/OFF switchable
- Accepts Video or DC auto iris lenses

Item	AU-VC-320	AU-VC-328	AU-VC-360
Pickup Device	1/3" SONY Super HAD CCD		1/3" Exview HAD CCD
Picture Elements:CCIR EIA	500H x 582V	752H x 582V	500H x 582V
	510H x 492V	768H x 494V	510H x 492V
Sensing Area	4.9mm x 3.7mm		
System of Signal	CCIR/EIA		
Horizontal Resolution	420TV Lines	600TV Lines	420TV Lines
Lens Mount	CS/C Mount (C Mount adaptor option)		
Backlight Compensation	ON/OFF switchable		
Electronic Shutter	1/50(1/60)-1/100,000sec		
Auto Iris Lens	VIDEO/DC Switchable		
S/N Ratio	More than 48dB		
Minimum Illumination	0.05Lux/F1.2	0.1Lux/F1.2	0.003Lux/F1.2
Video Output	1.0Vp-p,75Ω		
Power Requirement	AC230V		
Power Consumption	Less than 1.8W		
Video Out	BNC		
Dimensions	66mm x 59mm x 130mm		

DOME CAMERA



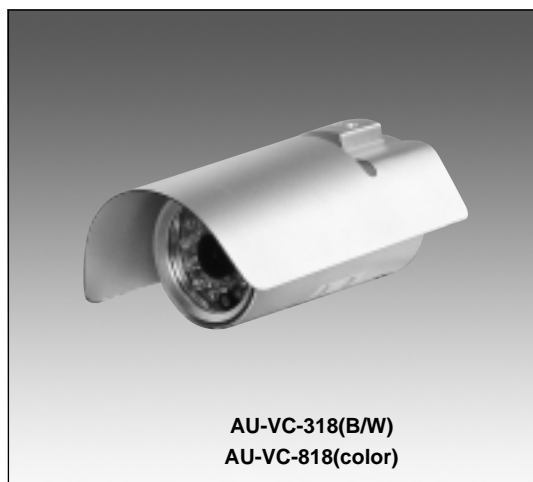
Item	AU-VC-203L (B/W)	AU-VC-803S (Color)	AU-VC-200H (B/W)	AU-VC-800H (Color)
Pickup Device:	1/3" LG CCD	1/4" SONY Super HAD CCD	1/3" SONY Super HAD CCD	
Picture Elements:	CCIR: 752(H) x 580(V) EIA: 510(H) x 492(V)	PAL: 500(H) x 582(V) NTSC: 510(H) x 492(V)	CCIR: 500(H) x 582(V) EIA: 510(H) x 492(V)	PAL: 500(H) x 582(V) NTSC: 510(H) x 492(V)
Sensing Area:	4.9 x 3.7mm	3.6 x 2.7mm	4.9 x 3.7mm	
System of Signal:	CCIR/EIA	PAL/NTSC	CCIR/EIA	PAL/NTSC
Horizontal Resolution:	420TV Lines			
Lens Mount:	3.6mm,6mm,8mm,12mm Selectable		CS Mount-lens can be applied	
Electronic Shutter:	1/50(1/60)-1/100.000 sec			
S/N Ration:	More than48dB			
Minimum Illuminaton:	0.1Lux/F1.2	1.0Lux/F1.2	0.05Lux/F1.2	0.8Lux/F1.2
Video Output:	1.0Vp-p,75Ω			
Power Requirement:	DC 12V			
Power Consumption:	100mA	120mA	100mA	120mA
Video Out	BNC			
Dimensions:	Ø100 x 65mm		Ø100 x 110mm	

UFO CAMERA



AU-VC-208(B/W)
AU-VC-808(color)

WATERPROOF CAMERA



AU-VC-318(B/W)
AU-VC-818(color)

Item	AU-VC-208(B/W)	AU-VC-808(color)	AU-VC-318(B/W)	AU-VC-818(color)
Pickup Device:	1/3" SONY Super HAD CCD	1/4" SONY Super HAD CCD	1/3" SONY Super HAD CCD	
Picture Elements:	CCIR: 500(H) x 582(V) EIA: 510(H) x 492(V)	PAL: 500(H) x 582(V) NTSC: 510(H) x 492(V)	CCIR: 500(H) x 582(V) EIA: 510(H) x 492(V)	PAL: 500(H) x 582(V) NTSC: 510(H) x 492(V)
Sensing Area:	4.9 x 3.7mm	3.6 x 2.7mm	-	-
System of Signal:	CCIR/EIA	PAL/NTSC	CCIR/EIA	PAL/NTSC
Sync System	Internal Synchronization			
Horizontal Resolution:	420TV Line			
Lens :	3.6mm		6mm	
Electronic Shutter:	1/50(1/60)-1/100.000 sec			
White Balance:	-	Auto tracking white balance(ATW)	-	Auto tracking white balance(ATW)
S/N Ratio:	more than 48dB			
Minimum Illumination:	0.05Lux/F1.2	1.0Lux/F1.2	0Lux infrared Lamps Turn on	
Video Output:	1.0Vp-p,75Ω			
Power Requirement:	DC 12V			
Power Consumption:	100mA	120mA	120mA (When the infrared Lamps turn on maximum electricity is 300mA)	
Dimensions	ø96mm x 60mm		157mm x 85mmx80mm	
Housing:	Aluminum Alloy		Aluminum Alloy	
Color	Silvery		Silvery	
Infrared Wavelength	-		850nm	
Infrared Lamps	-		30m	25m
Infrared Lamps Inadiation Kistance	-		Night /Day Opening/Turn off	

CCTV LENS

MODEL: REFER TO TABLE 3
DESCRIPTION: VARI-FOCAL LENSES



The Variable-Focal-Length Lenses are designed for use on 1/3-inch format CCTV cameras. The lenses have an adjustable angle of view, ranging from very wide-angle to normal, permitting the camera to view the exact area desired. Varifocal lenses eliminated the need for trial-and-error lens fitting and eliminate the need for stocking multiple fixed-focal-length lenses to cover different viewing angles.

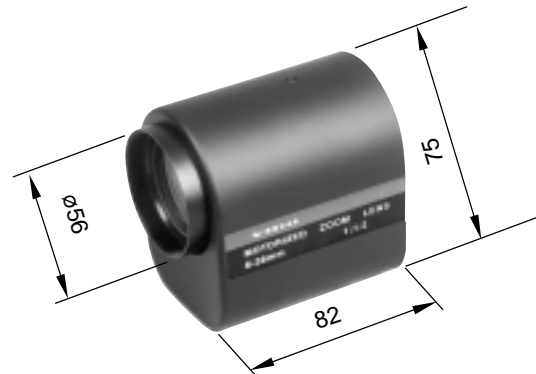
On all models, the focal length is continuously adjustable between the two limits.

Model AU-VT3508N AU-VT0615N offer a manual iris, making the lens adjustable for use under various lighting conditions. Model AU-VT3508B AU-VT0615B allow automatic iris operation that responds to cameras featuring built-in auto iris control circuits.

TABLE 3

MODEL	AU-VT3508N	AU-VT3508B	AU-VT0615N	AU-VT0615B
	Manual IRIS	DC Drive Auto IRIS	Manual IRIS	DC Drive Auto IRIS
Focal Length f(mm)	3.5 to 8 mm	3.5 to 8 mm	6to 15 mm	6 to 15 mm
Format	1/3"	1/3"	1/3"	1/3"
Aperture F	F1.4	F1.4	F1.4	F1.4
Horizontal Angle of View (deg)	95° ~ 44°	95° ~ 44°	54° ~23°	54° ~23°
Mount	CS	CS	CS	CS
Operating Temperature	-20°C to+50°C	-20°C to+50°C	-20°C to+50°C	-20°C to+50°C
Dimensions Ø x L(mm)	Ø32 x 48mm	Ø32 x 40 x 48mm	Ø32 x 61mm	Ø32 x 61 x 48mm
Weight (g)	70	80	70	80

MODEL: **AU-VT6Z0612M**
DESCRIPTION: MOTORIZED ZOOM LENSES



AU-VT6Z0612M

The series of motorized zoom lenses has a lens for virtually any CCTV system requirement. The standard motorized zoom lenses feature motorized zoom, focus, and iris. Lenses with the MS suffix are equipped with a neutral density spot filter for operation under a wide range of lighting conditions. With this lens, a sensitive camera can operate effectively in both partial darkness and high-light-level conditions. As the iris closes, the effect of the spot filter increases.

SPECIFICATION: REFER TO TABLE 4

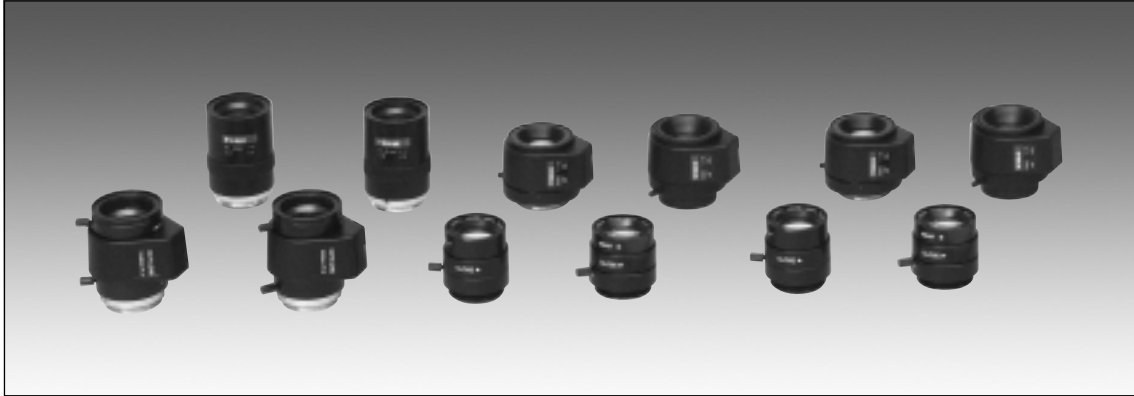
TABLE 4 Motorized Zoom Lenses

TABLE 4

MODEL	AU-VT6Z0612M
Focal-Length f(mm)	6 to 36 mm
Format	1/3"
Aperture F	F1.2
Horizontal Angle of view (deg)	50.55° ~ 9.18°
Mount	CS
Iris adjustable	Motorized control with 12VDC/40mA
Focus adjustable	Motorized control with 12VDC/40mA
Zoom adjustable	Motorized control with 12VDC/40mA
Dimensions Ø x W x L (mm)	ø56 x 75 x 82
Weight (g)	400
Operating Temperature	-20°C to +50°C

CCTV LENS

DESCRIPTION: FIXED-FOCAL-LENGTH



Fixed-focal-length lenses offer a fixed viewing angle and are usually used on CCTV cameras on fixed mountings or on scanners. This series lenses are designed for use on 1/3 inch format CCTV cameras and have manually adjustable irises.



Manual Type Lens

Auto-Iris Type Lens

Fixed-focal-length lenses offer a fixed viewing angle and are usually used on CCTV cameras on fixed mountings or on scanners. DC Autoiris Lenses adjust automatically to change in ambient light level to assure a good video image regardless of changes in scene illumination. Autoiris lenses must be used on cameras installed outdoors. Cameras installed indoors should also be equipped with autoiris lenses if the ambient light level varies during periods when the camera is in use. DC drive lenses contain only the iris drive mechanism and must be used with cameras containing their own autoiris control circuit. DC autoiris lenses come preterminated with a square Din-type connector for fast installation on cameras with a matching connector.

Model	AU-VT02812B	AU-VT0412B	AU-VT0612B	AU-VT0812B	AU-VT1212B	AU-VT1614B	AU-VT02812N	AU-VT0412N	AU-VT0612N	AU-VT0812N	AU-VT1212N	AU-VT1614N
Focal Length f(mm)	2.8	4	6	8	12	16	2.8	4	6	8	12	16
Format	1/3"	1/3"	1/3"	1/3"	1/3"	1/3"	1/3"	1/3"	1/3"	1/3"	1/3"	1/3"
Aperture F	F1.2	F1.2	F1.2	F1.2	F1.2	F1.4	F1.2	F1.2	F1.2	F1.2	F1.2	F1.4
Horizontal Angle of Vie (deg)	101°	76°	55°	42°	28°	21°	101°	76°	55°	42°	28°	21°
M. O. D (m)	0.2	0.2	0.2	0.2	0.2	0.2	0.2	0.2	0.2	0.2	0.2	0.2
Mount	CS					C	CS					C
Operating Temperature	-20°C to +50°C						-20°C to +50°C					
Dimensions Ø x L (mm)	ø32x44 x 39	ø32x44 x 37					ø32 x 40.3	ø32 x 33	ø28 x 30.3	ø28 x 32.8	ø32 x 39.5	ø28 x 30
Weight(g)	60						50					

DIGITAL VIDEO RECORDER(STANDALONE)

MODEL: AU-DVR-1

DESCRIPTION: DIGITAL VIDEO RECORDER(1-CHANNEL)



FEATURES

- Totally independent from PC platform, thoroughly keeping away from shutdown caused by inappreciative operations, complicated management and operation, and virus infection.
- May choose any one of the four video channels for surveillance and recording.
- Four optional levels of image quality: code stream adjustable from 2Mb/s, 3Mb/s, 6Mb/s and User Bitrate
- Duplex function, may play back and search while is recording
- Support networks (devices selectable)
- The length of real time video can choose hard disk of different capacity according to actual needs. Standard configuration (40G hard-disk) continuous recording time of 10-40 hours (from highest image quality to lowest image quality)
- Input: 4 channels of audio ; 2 channels of video ; (record synchronously with video).
- Output: 1 channels of video ; 1 channels of surveillance output; 2 channels of audio.
- 4 alarms in; 2 alarms out;
- Support motion detection alarm and video lost alarm.
- Support alarm recording and searches.
- Support Time recording, circular recording (automatically or manually control).
- Multi-function searches: be able to distinguish alarm records from ordinary records; be able to search by time or by segment (previous alarm /ordinary segment, next alarm /ordinary segment, first segment alarm/ordinary and last alarm /ordinary segment, beginning of current segment, etc)
- Support various playback modes: pause, step , and 2X/4X/8X/16X/32X/fast forward and backward play.
- Functions and operation manners are similar with ordinary tape video-recorder, usage and operation are simple and convenient.
- Provide menu and prompt in English , system start is fast.
- Provide password and key protection, guarantee system's security.
- High reliability .Cannot modify video or audio information recorded on hard disk.
- Automatic spot protection when power-off, automatic resume when power on.
- The specially designed video file system can improve hard disk life more than times longer.
- Support external hard disk backup (optional)



DIGITAL VIDEO RECORDER(STANDALONE)

MODEL: **AU-DVR-4**

DESCRIPTION: DIGITAL VIDEO RECORDER(4-CHANNEL)



Item	AU-DVR-1	AU-DVR-4
Video signal	PAL/CCIR,625lines ,50fields/second	
Video input	Composite:1.0Vp-p/75Ω,BNC x4 (switchable)	BNC x 4 4-channle real time
Video output	Composite:1.0Vp-p/75Ω,BNC x 1	
Audio input	-8dB22KΩ, RCA X 2	
Audio output	-8dB 3KΩ,Dynamic 92dB,RCA x 2	
Alarm input	X 4(OPEN)	
Alarm output	X 2(OPEN)	
Alarm mode	Sensor Alarm ;Mortion Detect Alarm, Video loss alarm	
Resolution	Image:704 X 576 TV Resolution:250-550TV lines	Image:704X 576 TV Resolution:250-550TV lines
Compression standard	MPEG- II	
Hard disk	with recomovable rack,support ,more HDDS	
Record time	10-200hours/40G	
Electron clock	Year/Mounth/Day; Hour/Minute Second	
Secrete function	Date encryption/Password protection	
Power source	AC230V ± 10%. 50Hz	
Power	50W	
Environment temperature	Work Temperature:+5°C~+50°C;humidity:<90% Store Temperature:+20°C~+70°C;humidity:<95%	
Exterior size	2U Industry Standard Box,432 x 92 x 380mm	
Weight	About 7Kg	
Backup mode	IDE Interface;External HDD or HDD Extend box	

AU-DVR-4:four channels can be recorded simultaneously,each one with 25 frames/second



QUAD SPLITTER

MODEL AU-VCQ-712H

DESCRIPTION: COLOR QUAD SPLITTER



Video Signal:	PAL/NTSC
Picture Refresh Ratio:	30 fields/second(NTSC) 25 fields/second(PAL)
Picture Resolution:	NTSC:762(H) x 480(V) PAL:762(H) x 576(V)
Video Input:	4-CH Video Input,1VCR Input BNC connector.
Video Output:	1 monitor & 1 record BNC connector 1.0Vp-p,75Ω
Record playback:	1BNC connector 1.0Vp-p, 75Ω
Display Mode:	Full Screen,QUAD,POP, Auto Switch
Picture Adjust:	Yes
OSD Menu:	Yes
Remote:	---
Timer Generator:	Real Time Display
Video Loss Alarm:	Yes
External Alarm Input&Alarm Output:	---
Alarm Record:	Startup,Loss Alarm
Auto Scan Timing:	1-10 Second
Power Input:	DC 12V
Power Consumption:	400mA
Dimensions:	218mm x 202mm x 44mm

MODEL AU-VBQ-613C

DESCRIPTION: B/W QUAD SPLITTER



The quad accepts four camera inputs, processes them digitally, and displays all four on a single monitor screen. The complete video from each camera is displayed. All operating and programming functions are performed with the front panel keys.

The Quad features real time image processing in VCR playback. It has a high resolution of more than 700 TV lines in single screen mode. In quadrant mode, the image in each channel can be put in a FREEZE mode. The splitter also features time, date display and border display.

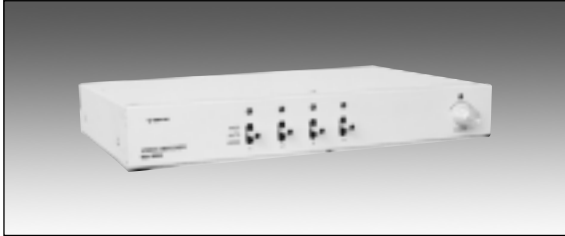
Video Signal:	EIA/CCIR switchable
Picture Refresh Ratio:	25 fields/second(CCIR) 30 fields/second(EIA)
Picture Resolution:	CCIR:762(H) x 576(V) EIA:762(H) x 480(V)
Video Input:	4-CH Camera Input,1VCR Input BNC connector.
Video Output:	1 monitor & 1 record BNC connector 1.0Vp-p,75Ω
Display Mode:	Full/QUAD/Freeze/Auto switch
Auto Scan Timing:	3 Sec
Power-Inputs:	DC 12V
Power Consumption:	200mA
Dimensions:	218mm x 202mm x 44mm



VIDEO SWITCHER

MODEL: **AU-VD-3004**

DESCRIPTION: 4-POSITION SEQUENTIAL SWITCHER



Model AU-VD-3004 Sequential Switcher is designed to meet the needs of the small closed-circuit video system user. Its switching design incorporates the performance and reliability inherent in transistor-transistor logic (TTL) integrated circuits. The AU-VD-3004 allows a single monitor to display the output to up to four cameras in automatic sequence. It features four terminated video inputs and one monitor output.

The scene from each camera is display on the monitor for an operator-selected interval of one to 45 seconds and may be stopped and a selected scene viewed at the operator's discretion. The dwell control is a front paned rotary knob. Red LED lamps indicated the camera position being viewed. Unused camera positions may be by passed without changing the order of sequence or dwell time. Power is indicated by a red LED.

The AU-VD-3004 is housed in a sturdy, steel cover finished with beige, powder coated.

Specification:
ELECTRICAL

Input Voltage: 230V 50Hz

Power consumption: 2W

Fuse: 0.5A

Video Connectors: BNC

VIDEO

Input Impedance: 75-ohm/1.0Vp-p

Output Impedance: 75-ohm/1.0Vp-p

CONTROLS AND INDICATORS

Dwell Control: Rotary control

Power: Red LED

Switches: Four three-position toggle switches.

Sequence Position

Indicators: Four red LEDs.

OPERATIONAL

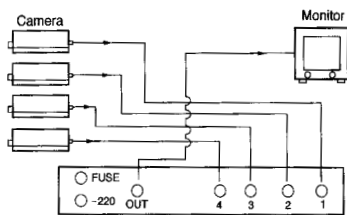
Sequencing interval: One to 45 seconds.

Switching Time: Less than one microsecond.

OPTIONAL

	Dimen	Weight
AU-VD-3004 4-channel	300(W) x 195(D) x 45(H)mm	2.05Kg
AU-VD-3008 8-channel		2.15Kg

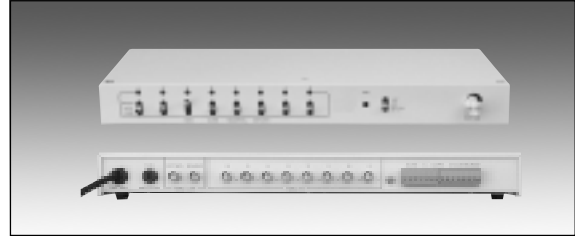
CONNECTION



4-Channel Video Switcher

MODEL: **AU-VD-3008AL AND AU-VD-3016AL**

DESCRIPTION: ALARM VIDEO SWITCHER
PRODUCT SPECIFICATION

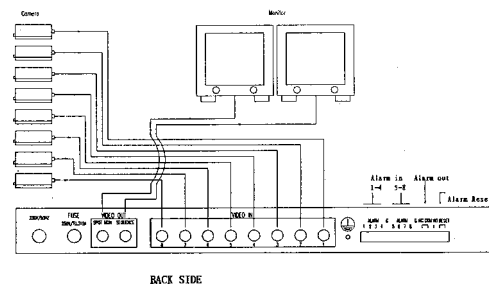
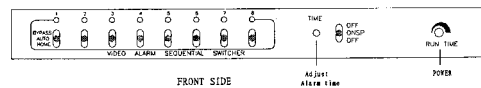


The AU-VD-3008AL(AU-VD-3016AL) Alarm switcher supplies audible and visual alarm indications for a maximum of 16 normally closed (NC) customer alarm inputs per unit. As an alarm is received, the AU-VD-3016AL(AU-VD-3008AL) automatically switches the video to display and control the alarm site. A master LED flashes to indicate the alarm, as does the LED above the position toggle switch.

In the case of multiple alarms, video displayed on the monitor shows the location of the aalarm first received.

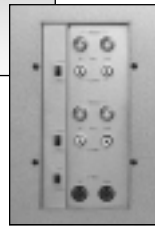
	AU-VD-3008AL	AU-VD-3016AL
Video Input	8(BNC) 75Ω	16(BNC) 75Ω
Alarm Input	8	16
Monitor	2(BNC) 75Ω	2(BNC) 75Ω
Video Bound-with	10MHz ± 3dB	10MHz ± 3dB
Position & Power Lamp	Long life LED	Long life LED
Sequence time	1~18 second	1~18 second
Weight	3Kg	3Kg
Input Voltage	230 VAC	230 VAC
Consumption	5 watt	5 watt
Dimension	420 x 195 x 45(H)mm	420 x 195 x 45(H)mm

CONNECTION

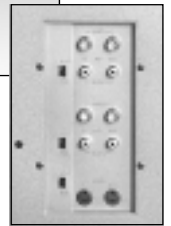


BACK SIDE

COLOR MONITOR



Back Side



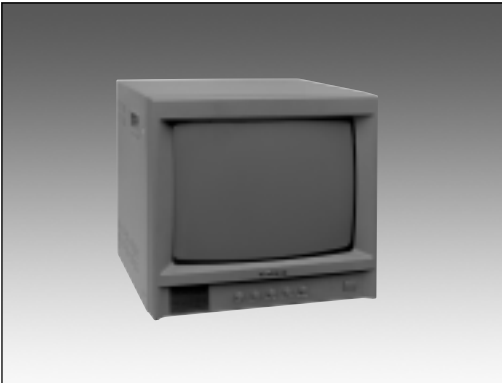
Back Side

FEATURES

- Heavy-duty metal cabinet
- Automatic conversion between PAL and NTSC systems
- Composite video signal: 2 input, 2 output with Hi/Low impedance switchable
- S-VHS video signal: 1 input, 1 output with Hi/Low impedance switchable
- Audio signal: 2 input, 2 output
- Built-in speaker, Max. RMS power of 1W
- The newest I²C channel control circuit
- Black electric level expansion circuits and image definition enhance circuits are incorporated in to improve the contrast and sharpness of pictures
- under NTSC system, it has complementary color correcting function
- Screen display either in Chinese or English

Model	AU-JD-1528	AU-JD-2028
Picture Tube	15" Flat Square Tube	20" Flat Tube
Resolution	750 Lines (Y/C)	600 Lines (Y/C)
Scanning System	NTSC/PAL automatic selectable	
Scanning Frequency	HORIZONTAL: 15.75KHz(NTSC)/15.625KHz(PAL)	
Power Source	VERTICAL: 60Hz (NTSC)/50Hz(PAL)	
Power Source	AC90-250V 50Hz/60Hz	AC100-250V 50Hz/60Hz
Power Consumption	65W	75W
Color Temperature	9300°K	
Video IN/OUT	CVBS Input: BNC x 2 (1V p-p 75Ω), High/Low impedance switchable CVBS Output: BNC x 2 (1V p-p 75Ω) S-VHS Input/output: Loop-thru Mini-din 4-pin x 2 Y: 1V p-p 75Ω, High/Low impedance switchable C(PAL): 0.3V p-p 75Ω, High/Low impedance switchable C(NTSC): 0.288V p-p 75Ω, High/Low impedance switchable	
Audio IN/OUT	Audio Input: Lotus type plug (RCA x 2, 390m Vrms, Hi impedance) Audio Output: Lotus type plug (RCA x 2, loop-thru input)	
Audio System	Built-in loudspeaker 8 Ω/3W	
Ambient Temperature	Operating Temperature: 0-40°C, Relative humidity 40-90% Storage Temperature: -25-55°C, Relative humidity 20-90%	
Dimensions (D x W x H)	380 x 362 x 350.6mm	500 x 490 x 460mm

MONITOR



Back Side



Back Side

FEATURES

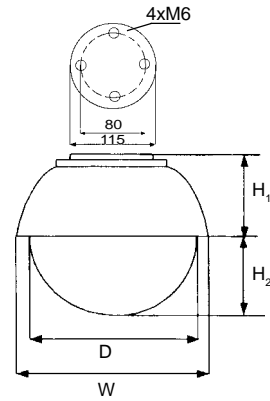
- 14-INCH CRT size
- Looping through BNC connectors for video input and output
- Max 1.5W speaker output

Monitor 14"	AU-JD-1428	AU-JD-1418G
TV System	PAL-14"Colour	PAL-14"B/W
Scan Frequency	H:15625Hz V:50Hz	H:15625Hz V:50Hz
Video input	1.0Vp-p(Composite)	1.0Vp-p(Composite)
Video Ohm	75Ω/HIGH	75Ω/HIGH
Horizontal Resolution	420TVL at center	800TVL at center
Audio Input	5dBm(1KHz)	5dBm(1KHz)
Audio Output	1.5W(± 10%t.n.d)	1.5W(± 10%t.n.d)
Power Supply	AC 230V/50Hz	AC 230V/50Hz
Video Connector	BNC x 2	BNC x 2
Power Consumption	60W	35W
Ambient Temperature	10°C + 40°C	10°C + 40°C
Dimensions	360(W)x365(D)x335(H)	315(W)x325(D)x305(H)
Weight	15kg	10kg

PAN/TILT DOME HOUSING

MODEL: **AU-VD-909PDN**
AU-VD-912PDN
AU-VD-915PDN

DESCRIPTION: SPHERICAL HOUSING WITH PAN/TILT

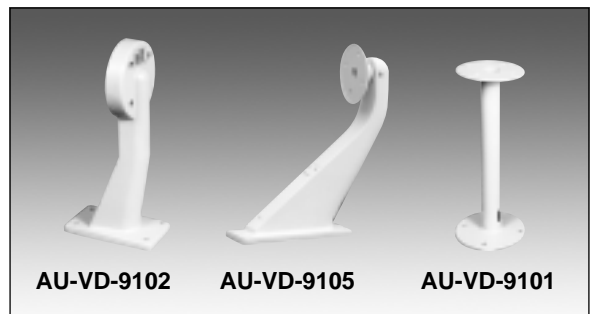


This spherical housing is a housing with pan/tilt unit. This spherical housing is an outdoor model with an attractive, discreet appearance consisting of an upper housing made from aluminum and lower dome molded from acrylic plastic. The included pan/tilt plastic. The camera and lens can be mounted and fully wired to the drive unit prior to the installation of the drive unit into the housing, and a new type of adjustable camera platform eliminates the need for spacers to mount cameras with motorized zoom lenses.

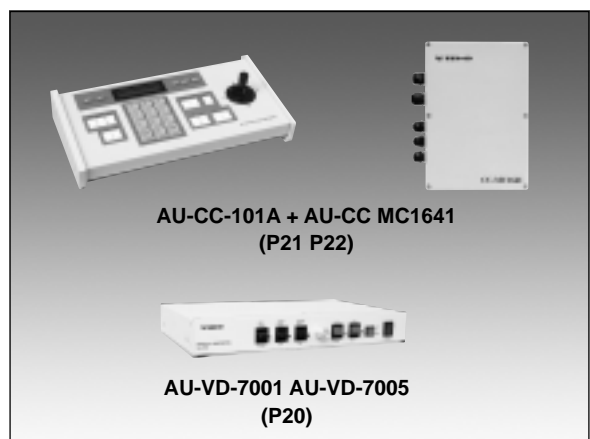
	W	H ₁	H ₂	D
AU-VD-915PDN	425mm	298mm	161mm	355mm
AU-VD-912PDN	380mm	292mm	140mm	303mm
AU-VD-909PDN	328mm	229mm	113mm	252mm

MODEL	AU-VD-915PDN	AU-VD-912PDN	AU-VD-909PDN
DOMESIZE	ø355mm	ø303mm	ø252mm
CONSTRUCTION	Upper Metal, Lower Dome acrylic Semi-sphere		
PAN	0° ~ 355° horizontal		
PAN SPEED	20° /sec		
TILT	0° ~ -90° movement from vertical plane		
TILT SPEED	10° /sec		
MAX.LOAD	4Kg		
MAX CAM&LENS LENGTH	310mm	230mm	180mm
INPUT VOLTAGE	AC24V OR AC220V		
POWER CONSUMPTION	20VA		
HEATER&BLOWER	OPTIONAL		
ENVIRONMENT	Outdoor & Indoor use		
TEMPERATURE	-35°C ~ +55°C with heater & indoor use		
WEIGHT	8Kg	7Kg	6Kg
ACRYLIC DOME COLOR	Clear, Brown		

Optional Bracket



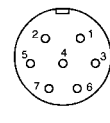
Recommended Controller



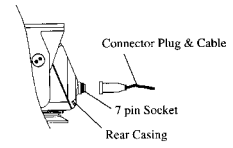
PAN/TILT UNIT

MODEL: **AU-VD-PT15**

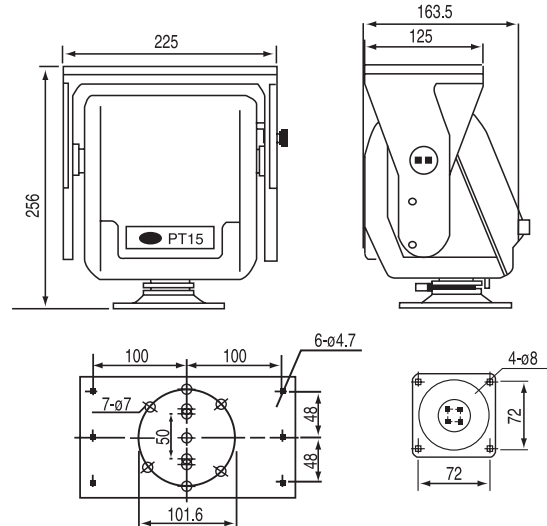
DESCRIPTION: WEATHERPROOF
MEDIUM-DUTY PAN-AND-TILT DRIVES



1. NOT USED
2. COM
3. DOWN
4. UP
5. RIGHT
6. LEFT
7. EARTH



(Figure 2)



The AU-VD-PT15 Pan-and Tilt Drive is weatherproof unit capable of operating with loads up to 15kg. The heavy-duty motors are constructed with hardened-steel gear trains that require no user maintenance. All-weather protection is provided by "O" rings and gasket seals.

The fixed-speed unit has an input voltage of 24VAC. It may be operated directly by an appropriate control or by a combination of a control and a relay box, or a digital receiver when greater operating distances are required.

ELECTRICAL

Input Voltage: 24VAC

Power Consumption: 20W

OPERATIONAL

Angular Travel: Pan: 350°, maximum

Tilt: +20° to -90°

Stops: Externally adjustable

Speed: Pan: 6° /sec

Tilt: 3° /sec

Load Rating: 15kg

Overload Protection: Motors may be stalled without danger of thermal overload.

MECHANICAL

Weight: 10kg

Construction: Cast aluminum housing

Finish: Beige, baked lacquer

Gears: steel

Seals: "O" ring and gasket seals for all-weather environmental protection

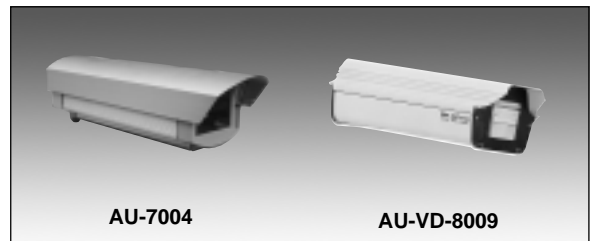
Mounting: Wall mounting with bracket

ENVIRONMENTAL

Operating Temperature Range: -35°C to 60°C

Wind: up to 80mph

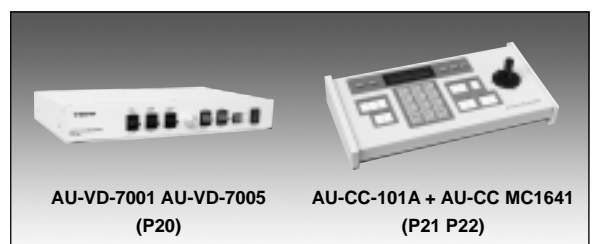
Optional Housing



Optional Bracket

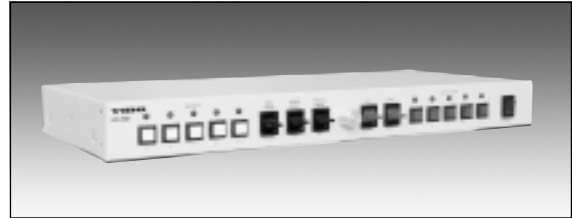


Recommended Controller



P/T/Z CONTROLLER

MODEL: AU-VD-7001 AU-VD-7005
 DESCRIPTION:P/T/Z CONTROLLER



The 700 series multiple Drive Controls are compact units that utilize a single lens control and pan-and-tilt control to operate zoom lens and pan-and-tilt functions at several remote camera stations.

These control units feature push-button control for the autopan function and camera station selection. The camera station selection function enables an operator to manually control the lens and pan-and-tilt functions for a selected camera station, independently of all other remote stations in the system.

The 700 series offer autopan operation from an internal power supply. It is for use with 24VAC pan-and-tilt drives with autopan. Each model is housed in a steel cover with beige, powder coated.

SPECIFICATIONS:

Input Voltage : AC 220V/50Hz
 Output : Pan/Tilt: AC24V/50Hz
 Lens control: DC6V~12V

Output connector :
 Pan/Tilt : 6-conductor
 Lens : 5-conductor

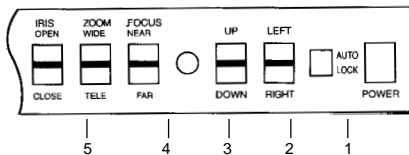
Controls: Zoom: push button Wide/TEL
 Focus: push button Near/Far
 Iris : push button Open/Close

Lens Speed: knob control

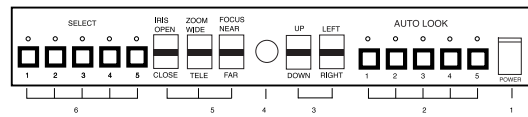
Dimensions :
 300(W) x 195(D)x 45(H) mm(7001)
 420(W)x 195(D)x 45(H) mm(7005)

Weight: 3Kg AU-VD-7001
 5kg AU-VD-7005

Front Panel

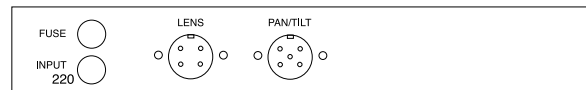


- 1). POWER ON/OFF
- 2). AUTO LOCK : AUTO PAN
- 3). PAN/TILT CONTROL
- 4). LENS SPEED ADJUSTABLE
- 5). LENS CONTROL

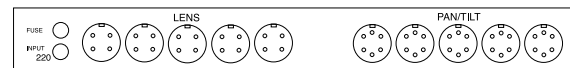


- 1). POWER ON/OFF
- 2). AUTO LOCK : AUTO PAN
- 3). PAN/TILT CONTROL
- 4). LENS SPEED ADJUSTABLE
- 5). LENS CONTROL
- 6). SELECT: SELECT CHANNEL

Rear Panel



- | | |
|------------|----------|
| LENS | PAN/TILT |
| 1 COMMON | 1 AUTO |
| 2 NOT USED | 2 COMMON |
| 3 FOCUS | 3 DOWN |
| 4 IRIS | 4 UP |
| 5 ZOOM | 5 RIGHT |
| | 6 LEFT |

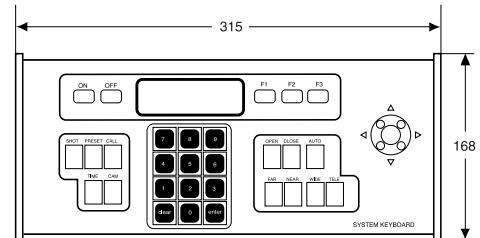


- | | |
|------------|----------|
| LENS | PAN/TILT |
| 1 COMMON | 1 AUTO |
| 2 NOT USED | 2 COMMON |
| 3 FOCUS | 3 DOWN |
| 4 IRIS | 4 UP |
| 5 ZOOM | 5 RIGHT |
| | 6 LEFT |

DIGITAL CONTROLLER

MODEL: **AU-CC-101A**

DESCRIPTION: Keyboard controller



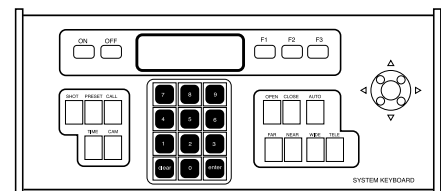
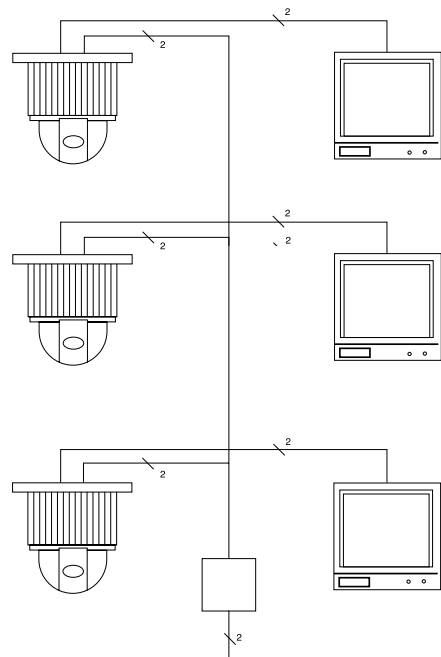
The keyboard AU-CC-101A features a pan/tilt joystick which can be set for variable-or fixed-speed operation. The keyboard also offers push button control for camera and monitor selection, zoom, focus, iris, auto pan, receiver preset position entry alarm a knowledge.

The keyboard allows to operate 1 up to 32 speed dome camera or receivers via RS-485. The communication distance between controller and receiver is up to 1.2km.

Input voltage: DC12V 500mA

Keyboard Function:

- [CAM] To select speed dome camera
- [SHOT] To set up or call cruising track
- [PRESET] To set up preset position
- [CALL] To call the preset position
- [ON] To turn on the function setting
- [OFF] To turn off the function setting
- [F1] [F2] Auxiliary function keys
- [0]-[9] Number key
- [CLEAR] To clear
- [ENTER] To confirm
- [AUTO] To control auto-horizontal rotation for pan/tilt
- [OPEN] To open IRIS
- [CLOSE] To close IRIS
- [WIDE] To a wide angle
- [TELE] To turn to a telescopic range
- [FAR] To make focus far manually
- [NEAR] To make focus near manually



RS485 RECEIVER

MODEL: **AU-CC-MC1641**

DESCRIPTION: RECEIVER



This receiver is a compact unit which operates under the control of any of the following control transmitters: AU-CC-101 AU-CMX3208. The receiver is used with a plug-in communications interface board to specify which control system is used (Matrix, Mutiplexer, DVR). Standard receiver functions include pan/tilt operation, autopan, zoom lens drive, focus and iris operation, auxiliary function which can be set for latching or momentary operation, and local diagnostics. The pan/tilt drive voltage is selectable. The receiver is available in a weatherproof plastic housing.

Communication requires a single shielded twisted-pair cable between the controller and receiver.

Functions: Pan left and right, fixed speed

Tilt up and down, fixed speed

Auto-pan

Zoom in/out

Focus near/far

Iris open/close

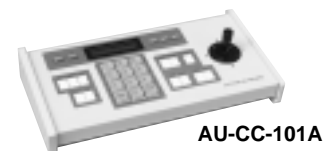
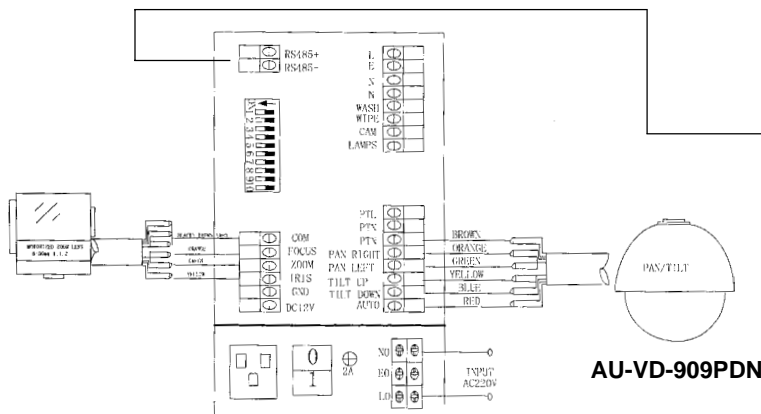
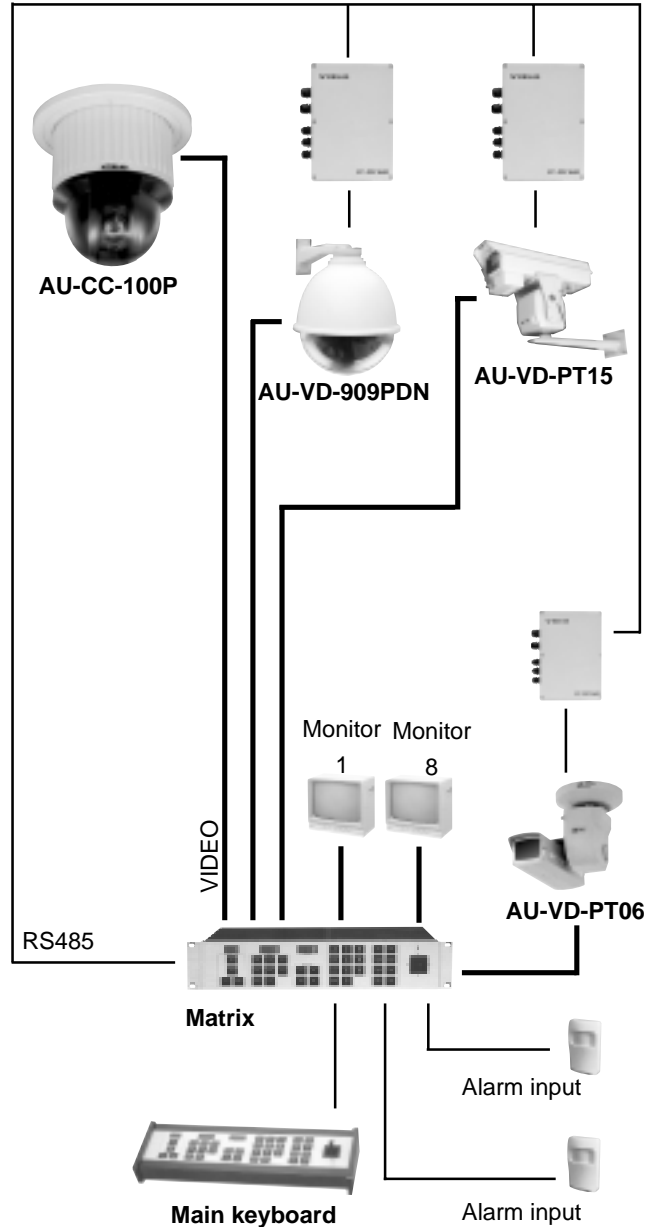
Communication: RS485

Pan/Tilt drive output: AC24V

Lens drive output: Voltage 6~12V

Operating Temperature: -30°C~60°C

Weight: 3kg



CAMERA HOUSING

MODEL: AU-VD-8009 SERIES

DESCRIPTION: OUTDOOR CAMERA HOUSING



Model AU-VD-8009 series of compact weatherproof housings is designed for smaller outdoor CCTV applications. A spring cover provides easy access, and a weatherproof seal protects the camera / lens assembly from moisture. It is available in two model variations with different feature.

The AU-VD-8009 is the basic housing. Model AU-VD-8009HB is equipped with a strip heater that provides 25 watts of power. The thermostatically-controlled heater goes on when the temperature drops to 10°C and turns off when the temperature reaches 16°C.

ELECTRICAL

AU-VD-8009HB only

Input Voltage: 24VAC

Power consumption: 25W

Heater Thermostat: Opens: 10°C
Closes: 16°C

External Dimensions: Length(L): 387mm

Width(W): 143mm

Height(H): 112mm

Max camera / lens dimensions: Length(L): 250mm

Width(W): 90mm

Height(H): 85mm

Weight: AU-VD-8009 2kg

AU-VD-8009HB

Construction: Beige, powder

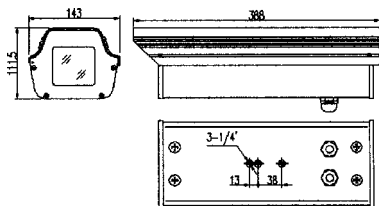
Beige Aluminum, powder coated housing
with clear glass window

Camera Mounting: Be installed on camera try

Housing Mounting: Three tapped holes provided on bottom
for mounting and balancing.

ENVIRONMENTAL

Temperature Range: AU-VD-8009HB: -35°C to 49°C



MODEL: AU-VD-8002

DESCRIPTION: Indoor camera housing



The AU-VD-8002 is a compact indoor housing designed to protect cameras from dust in indoor environments. Constructed of lightweight aluminum. The housing can be secured on mounts with adjustable heads, scanners, or pan-and-tilts. Additional features include an adjustable camera plate and a detachable housing plate for top mount or bottom mount.

SPECIFICATION:

Dimensions(external): Height(H): 88mm

Width(W): 104mm

Length(L): 294mm

Maximum Camera/Lens Dimensions:

Height(H): 70mm

Width(W): 90mm

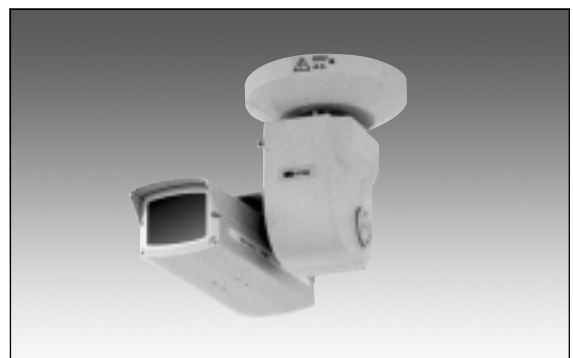
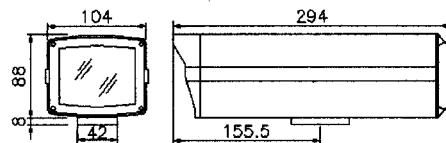
Length(L): 250mm

Weight: 0.7Kg

Mounting: Camera: Be installed on the adjustable
camera mounting plate.

Housing: Mounting from top or bottom
housing

Construction: Aluminum housing with clear glass window.



CAMERA HOUSING

MODEL: **AU -7004**

DESCRIPTION: ENVIRONMENTAL HOUSING



The Model AU-7004 compact, weatherproof housings are designed for smaller outdoor applications. The unit features a protective sunshield constructed from heavy-duty aluminum with a light-gray finish. The sunshield provides long-term protection from UV radiation and corrosion. The viewing window is made from polycarbonate Lexan for long lasting transparency. All materials are corrosion-resistant for up to five years.

OPTICAL

Light Loss
through Window: Negligible

OPERATIONAL

Horizontal
Adjustment: Adjustable camera platform

MECHANICAL

External Dimensions: Length (L): 38cm
Width (W): 11cm
Height (H): 10.8cm

Maximum Camera/Lens Dimensions:

Fits camera/lens combinations of up to 270mm long, 67.5mm high, and 75mm wide.

Weight: 1kg

Construction: End caps: Lexan, Light gray.

Housing: aluminum, painted light gray.

Window: 3mm thick Lexan polycarbonate.

Clear Window Area: 71.5 mm(W) x 57 mm(H)

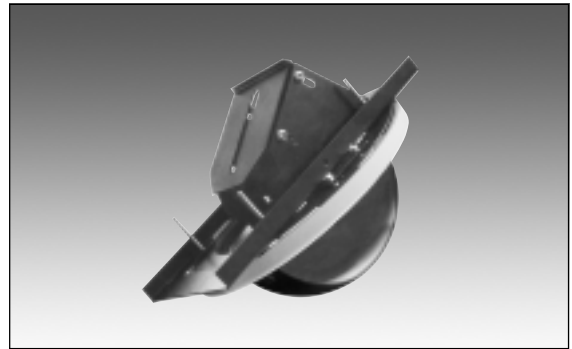
Cable Access: Two liquid tight compression fittings
located at bottom of rear base.

Camera Access: From back side of housing

Housing Mounting: one screws on bottom for mounting.

MODEL: **AU-VD-905**

DESCRIPTION: FIXED DOME HOUSING



This dome housing is a fixed-position ceiling dome designed for installations where discreet surveillance is necessary. Created for minimum protrusion below ceiling level, the AU-VD-905 installs easily in standard drop ceilings and accommodates the new generation of B/W and color cameras.

The AU-VD-905W is painted flat black, except for a narrow viewing window.

The AU-VD-905S is with a brown cover dome.

Angular adjustments: Horizontal: 360°

Vertical: 36° ~90° down

Load Rating: 2 kg

Maximum camera/lens: Height: 70 mm

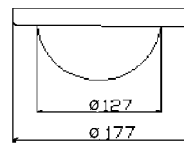
Width: 80mm

Length: not limited

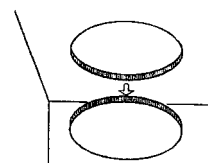
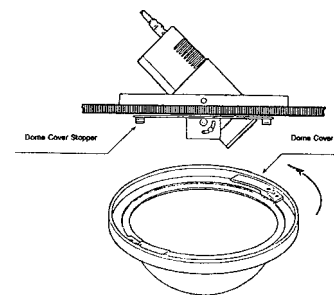
Weight: 1.2kg

Construction: Upper: steel

Lower dome: acrylic



Dome Size



Cut a hole on the ceiling board

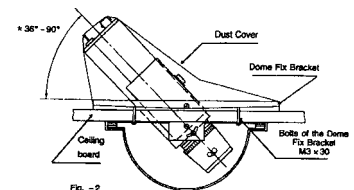
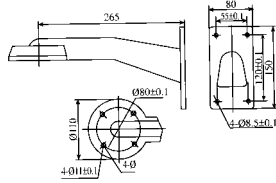


Fig. -2

BRACKET

MODEL: **AU-VD-9102**

DESCRIPTION: WALL MOUNT FOR SPHERICAL HOUSING



The AU-VD-9102 wall mount is designed for installing indoor /outdoor spherical housing. It supports camera stations housing and camera / lens combination. This mount is constructed of cast aluminum

MECHANICAL

Mounting: Wall

Type: Fixed

Load Rating: 15kg

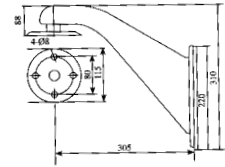
Construction: Cast aluminum

Finish: Beige

Weight: 1kg

MODEL: **AU-VD-9105**

DESCRIPTION: WALL MOUNT FOR SPHERICAL HOUSING



The AU-VD-9105 wall mount is designed for installing our AU-CC-D outdoor spherical housing. It supports camera stations weighing up to a total of 20 kg, including a outdoor spherical double-proof housing and camera/lens combination. This mount is constructed of cast aluminum.

MECHANICAL

Mounting: Wall

Type: Fixed

Load Rating: 20 kg

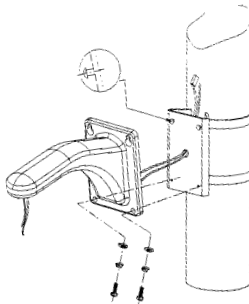
Construction: Cast aluminum

Finish: Beige

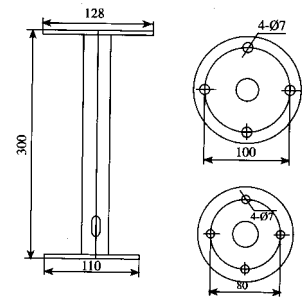
Weight: 2 Kg



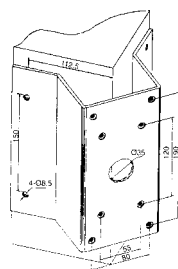
AU-VD-9117
BRACKET FOR POLE



AU-VD-9101
CEILING BRACKET FOR SPHERICAL HOUSING



AU-VD-9109
CORNER PLATE

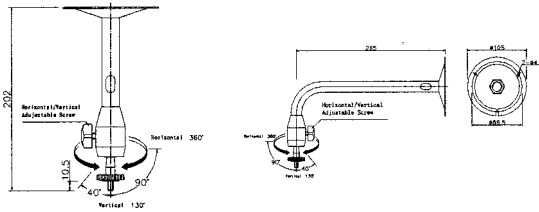


AU-VD-9109
AU-VD-9105
AU-CC-D08

BRACKET

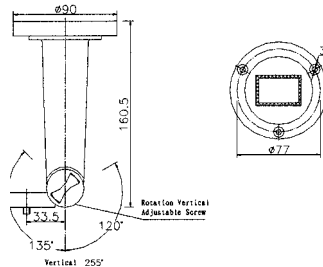
MODEL: AU-VD-8101

DESCRIPTION: LIGHT-DUTY-INDOOR WALL & CEILING MOUNT



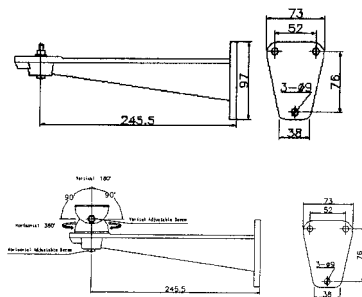
MODEL: AU-VD-8104

DESCRIPTION: LIGHT-DUTY INDOOR WALL & CEILING MOUNT



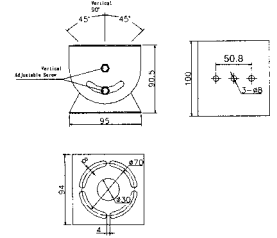
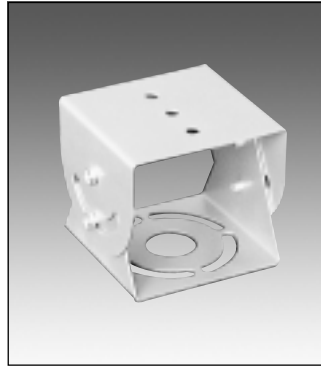
MODEL: AU-VD-8105 and AU-VD-8105A

DESCRIPTION: LIGHT-DUTY INDOOR / OUTDOOR WALL MOUNT



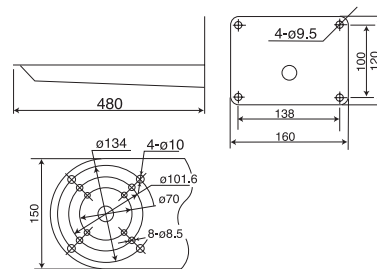
MODEL: AU-VD-8106

DESCRIPTION: ADJUSTABLE MOUNTING HEADS



MODEL: AU-VD-8109

DESCRIPTION: HEAVY-DUTY INDOOR / OUTDOOR WALL MOUNT



ACCESSORY

MODEL: AU-VD-2004

DESCRIPTION: VIDEO DISTRIBUTOR



The AU-VD-2004 Distributor provides a maximum of four video outputs signal distributed from a single video input signal.

ELECTRICAL

Input Voltage: 220VAC

Input and Output Impedance: 75 ohms

Input connector: BNC

Output connectors: 4 BNC

Frequency Response: 10Hz to 75 MHz ± 0.5dB

Band width(-3dB): 1Hz to 15MHz

Fuse: 220VAC: 1/2A

MECHANICAL

Dimensions: Length: 150mm

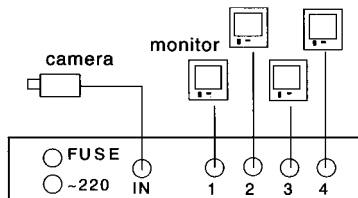
Width: 195mm

Height: 45mm

Weight: 1.5Kg

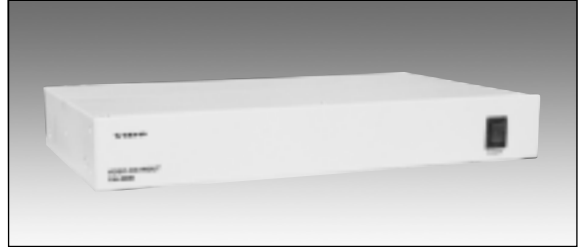
Construction: Steel frame

Finish: Light grey.



MODEL: AU-VD-2006

DESCRIPTION: VIDEO DISTRIBUTOR



The AU-VD-2006 Distributor provides a maximum of six video outputs signal from distributed a single video signal input, or provides two group of independent video outputs signal, each group includes three video signal outputs when there are two video inputs signal into the unit.

ELECTRICAL

Input Voltage: 220VAC

Input and Output Impedance: 75ohms

Input connector: BNC

Output connector: 6BNC

Frequency Response: 10Hz to 75 MHz ± 0.5dB

Band width (-3dB): 1Hz to 15MHz

Fuse: 220VAC: 1/2A

MECHANICAL

Dimensions: Length: 300mm

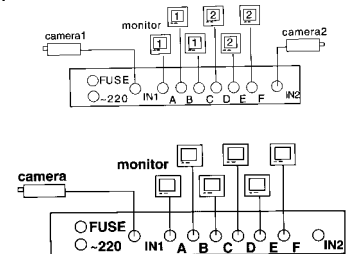
Width: 195mm

Height: 45mm

Weight: 2Kg

Construction: Steel frame

Finish: Light grey.



AU-VD-PI2H
12V DC ADAPTOR

OUTPUT 500mA



AU-CC-MC12
12V DC ADAPTOR

OUTPUT 2000mA



AU-CC-MC2083
COMMUNICATION
PROTOCOL ADAPTOR

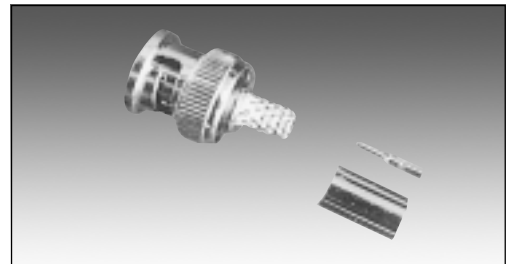


AU-VD-300LS
LISTEN-IN
MICROPHONE

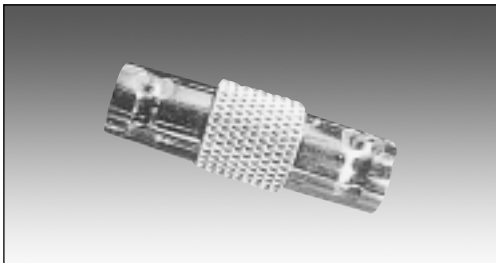
VIDEO CONNECTOR



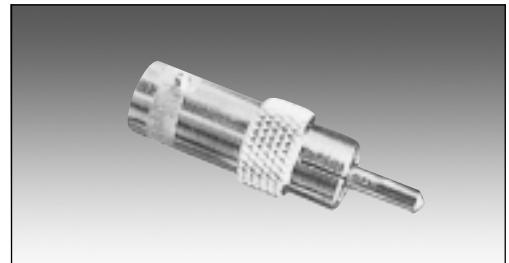
AU-K-0117
BNC MALE RCA FEMALE



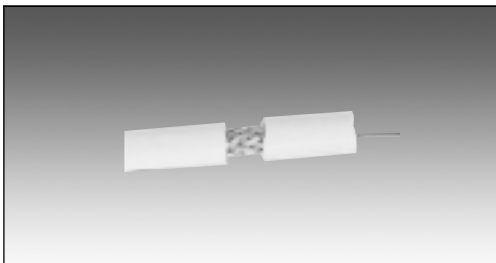
AU-K-0108
RG59/U BNC MALE CRIMP



AU-K-0100
DOUBLE BNC FEMALE



AU-K-0104
BNC MALE TO RCA MALE



AU-K-8001-1
RG59 COAXIAL CABLE



AU-K-0118
BNC MALE TO RCA MALE



AU-K-8076
BNC TO BNC CABLE



AU-K-6049A
EUROPE POWER ADAPTOR