

WE DON'T
JUST MAKE
FIRE PANELS!



CONVENTIONAL FIRE SYSTEMS

LEARN ABOUT C-TEC'S ENTIRE RANGE
OF UK MANUFACTURED CONTROL PANELS,
FIRE DETECTORS, ALARM SOUNDERS,
VISUAL ALARM DEVICES & MORE



You're Safe with C-TEC

WORLD CLASS LIFE SAFETY SYSTEMS



FIRE DETECTORS



SOUNDERS



VISUAL ALARM
DEVICES



FIRE ANCILLARIES



POWER SUPPLIES



C-TEC manufactures the most comprehensive range of conventional fire alarm products in the UK.

From our award-winning CFP range of 2-8 zone fire panels to our 'best-in-class' ActiV fire detectors, sounders & visual alarm devices, you can get everything you need for your conventional fire alarm systems from C-TEC.

In addition to our control, detection & alarm equipment we also manufacture a host of fire alarm ancillary devices including remote indicators, device isolators, sounder circuit extenders, power supply units and more!

Everything we make is designed & manufactured at our state-of-the-art headquarters in the North West of England, meaning you can rest assured all of our products will integrate seamlessly.

For more details on any of the items listed in this brochure including copies of our third-party approval certificates please visit c-tec.com

You're Safe with C-TEC.



Fire Alarm Control Panels



CFP702-4

2 ZONE STANDARD PANEL

CFP702E-4 ECONOMY CFP ALSO AVAILABLE*



CFP704-4

4 ZONE STANDARD PANEL

CFP704E-4 ECONOMY CFP ALSO AVAILABLE*



CFP708-4

8 ZONE STANDARD PANEL

CFP708E-4 ECONOMY CFP ALSO AVAILABLE*



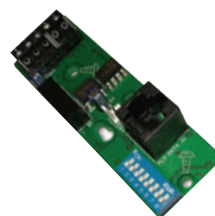
CFP760

8 ZONE REPEATER PANEL



S-KEY

SPARE KEY FOR CFP FIRE PANELS



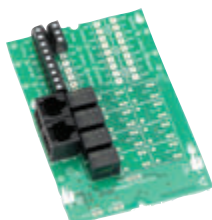
CFP761

NETWORK CARD



BF319

MAINS SWITCH



CFP762

RELAY CARD

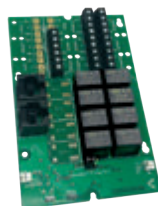
RESET, FAULT, AUX.
& REMOTE RELAYS



CFP763

RELAY CARD

AS CFP762 + 8 OUTPUT
PER ZONE RELAYS



CFP764

RELAY CARD

8 OUTPUT PER
ZONE RELAYS



CFP765

RELAY CARD

4 OUTPUT PER
ZONE RELAYS



CFP766

RELAY CARD

2 OUTPUT PER
ZONE RELAYS

- ▶ The UK's best selling range of conventional fire panels.
- ▶ 2, 4 and 8 zone versions.
- ▶ Certified to EN54-2 and EN54-4 by the LPCB.
- ▶ Flush or surface mountable plastic enclosure.
- ▶ Four conventional sounder circuits.
- ▶ Fire and fault relays, class change and alert inputs.

- ▶ Two open collector outputs (remote and reset).
- ▶ Coincidence, zone delay & non-latching zone functions.
- ▶ Expansion connections for relay boards & repeaters.
- ▶ EN54-13 interface boards and monitoring modules also available - visit c-tec.com for details.

* Note, CFP Economy panels DO NOT have relays or expansion connections.



Fire Detectors & Manual Call Points



C4416

ACTIV OPTICAL
SMOKE DETECTOR
(REQUIRES BASE)



C4403A2

ACTIV A2 STANDARD 60°C
FIXED TEMPERATURE
HEAT DETECTOR
(REQUIRES BASE)



C4403B

ACTIV B HIGH 75°C
FIXED TEMPERATURE
HEAT DETECTOR
(REQUIRES BASE)



C4403A1R

ACTIV A1R RATE OF RISE
HEAT DETECTOR
(REQUIRES BASE)



C4414

ACTIV MULTI-SENSOR
FIRE DETECTOR
(REQUIRES BASE)



C4408D

ACTIV DIODE BASE



C4408DR

ACTIV DIODE RELAY BASE



C4408

ACTIV NON-DIODE BASE



C4408R

ACTIV NON-DIODE
RELAY BASE



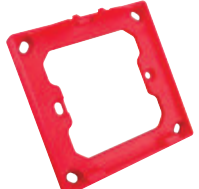
BF318

ACTIV REMOTE LED
INDICATOR



BF370S

RED SURFACE
NO BREAK
CALL POINT



BF370SFP

FLUSH MOUNT
PLATE FOR USE
WITH BF370S



BF370S/W

IP66 RATED
NO BREAK
CALL POINT



BF370SC

PROTECTIVE CALL
POINT COVER

- ▶ Certified to the relevant parts of EN54 by Intertek and/or the LPCB.
- ▶ Optical and multi-sensor variants highly resistant to false alarms.
- ▶ All fire detectors feature two ultra-bright LED indicator strips to provide 360° visibility of an alarm condition.

- ▶ All detector bases include an integrated locking mechanism, head removal tool, ID tag and connections for an optional BF318 remote indicator.
- ▶ Smooth-action resettable manual call points mimic the feel of breaking glass.



Sounders & Visual Alarm Devices



BF431C/CC/W
ACTIV 96dBA
BASE SOUNDER (IP21C)



BF456C/CC/W
ACTIV C-3-8.5 BASE VAD
c/w 96dBA SOUNDER (IP21C)



BF432C/CC/W
ACTIV O-R-3-2.5-17 BASE
CORRIDOR VAD
c/w 96dBA SOUNDER (IP21C)



BF330CTLIDW
ACTIV WHITE LID FOR BASE
SOUNDERS/VADS
(RED LIDS ALSO AVAILABLE)



BF430C/CC/SR
ACTIV 100dBA WALL SOUNDER,
SHALLOW BASE (IP21C)



BF430C/CC/DR
ACTIV 100dBA WALL SOUNDER,
DEEP BASE (IP33C)



BF433C/CC/SR
ACTIV W-2.75-9 WALL VAD
c/w 100dBA SOUNDER,
SHALLOW BASE (IP21C)



BF433C/CC/DR
ACTIV W-2.75-9 WALL VAD
c/w 100dBA SOUNDER,
DEEP BASE (IP33C)



BF430C/CC/DR/65
ACTIV WEATHERPROOF 100dBA
WALL SOUNDER (IP55)



BF433C/CC/DR/65
ACTIV WEATHERPROOF W-2.75-9 WALL VAD
c/w 100dBA SOUNDER (IP55)

The installation of VADs should be considered for toilets, bedrooms, stairwells, corridors, theatres, cinemas, operating theatres, places where noise levels exceed 90dBA and more!

To discover **EXACTLY** what the legislation says, why not attend our free online **EN54-23 VISUAL ALARM DEVICES SIMPLIFIED** seminar? Visit c-tec.com for details.

- ▶ Certified to the relevant parts of EN54-3 and EN54-23 by the LPCB.
- ▶ Multiple ceiling and wall mount variants.
- ▶ Ceiling 'base' models can be used stand alone or as part of stacked sounder/VAD/detector/base combination.
- ▶ Impressive 96dB(A) or 100dB(A) sound output.
- ▶ 31 selectable primary and secondary tone pairs.

- ▶ 2 volume levels & 3 flash rates (0.5Hz, 1Hz or Off).
- ▶ Low alarm current - only 5.5mA @ 30VDC on Sounder only variants and 19.5mA @ 30VDC on Sounder/VAD variants.
- ▶ C-TEC designed lenses ensure maximum efficiency.
- ▶ Voice sounder variants also available - see overleaf.



Voice Sounders & Visual Alarm Devices



BF454C/CC/W
ACTIV BASE VOICE SOUNDER
(IP21C)



BF457C/CC/W
ACTIV C-3-8.5 BASE VAD
c/w VOICE SOUNDER (IP21C)



BF455C/CC/W
ACTIV O-R-3-2.5-17 BASE
CORRIDOR VAD
c/w VOICE SOUNDER (IP21C)



BF330CTLIDW
ACTIV WHITE LID FOR BASE
SOUNDERS/VADS
(RED LIDS ALSO AVAILABLE)



BF446C/CC/SR
ACTIV WALL VOICE SOUNDER,
SHALLOW BASE (IP21C)



BF446C/CC/DR
ACTIV WALL VOICE SOUNDER,
DEEP BASE (IP33C)



BF447C/CC/SR
ACTIV W-2.75-9 WALL VAD
c/w VOICE SOUNDER,
SHALLOW BASE (IP21C)



BF447C/CC/DR
ACTIV W-2.75-9 WALL VAD
c/w VOICE SOUNDER,
DEEP BASE (IP33C)



BF446C/CC/DR/65
ACTIV WEATHERPROOF
WALL VOICE SOUNDER (IP55)



BF447C/CC/DR/65
ACTIV WEATHERPROOF W-2.75-9 WALL VAD
c/w VOICE SOUNDER (IP55)

VOICE SOUNDERS WITH
LOCKDOWN
MESSAGES
ALSO AVAILABLE
Contact your vendor for details

- ▶ Superb voice intelligibility.
- ▶ Choose from two evacuation voice messages and four evacuation alarm tones (selected evacuation messages are preceded by the selected tone).
- ▶ Include the same electronics as our EN54 certified Sounder VADs.
- ▶ Ceiling, wall and open class (corridor) variants.
- ▶ 2 volume levels & 3 flash rates (0.5Hz, 1Hz or Off).
- ▶ Low alarm current.
- ▶ C-TEC designed lenses ensure maximum efficiency.



Fire Alarm Ancillaries



BF318
REMOTE LED INDICATOR



BF319
FIRE ALARM CONTROL PANEL
MAINS KEYSWITCH



BF376
24V 5A RELAY ON A PLATE



BF367
AUXILIARY DEVICE ISOLATOR



BF366
24V 5A ISOLATABLE RELAY ON A
PLATE C/W BUZZER



FF502P
FOUR ZONE MONITORED SOUNDER
CIRCUIT EXTENDER



BF363
VIBRATING PAD
C/W LOCKING JACK PLUG



BF364
SINGLE GANG JACK SOCKET
FOR USE WITH BF363
VIBRATING PAD



NCP-23
WHITE SURFACE
INTERFACE PLATE
SHALLOW, 20MM DEPTH



NCP-24
WHITE SURFACE
INTERFACE PLATE
DEEP, 25MM DEPTH



NCP-25
WHITE SURFACE
INTERFACE PLATE
SHALLOW, 20MM DEPTH



NCP-26
WHITE SURFACE
INTERFACE PLATE,
DEEP, 33MM DEPTH



NCP-27
CONDUIT
ADAPTOR BOX

- ▶ A comprehensive range of low-cost C-TEC manufactured fire alarm ancillaries.
- ▶ Designed for use with C-TEC's fire alarm systems but suitable for use with other manufacturers' systems too.
- ▶ Fully compliant with all relevant British and European standards.

- ▶ Everything you need to enhance your fire alarm system from remote indicators to general purpose relays, vibrating pillow pads, sounder circuit extenders and more.
- ▶ Extensive range of installation aids also available - visit c-tec.com for details.



Power Supplies



BF560-24
24V 1.5A EN54-4
SWITCH MODE PSU



BF562-1
24V 1.5A EN54-4
SWITCH MODE PSU



BF562-3
24V 3A EN54-4
SWITCH MODE PSU



BF562-5
24V 5A EN54-4
SWITCH MODE PSU



BF560-12
12V 2A EN54-4
SWITCH MODE PSU
(IDEAL FOR USE WITH AUTO DIAL UNITS)



BF360SP
STU MOUNTING PLATE

**ENCASED
PCB-ONLY PSUs**
ALSO AVAILABLE
Visit c-tec.com for details



BF375P
24V 250MA UNREGULATED
DOOR RELEASE PSU
(NON-EN54)



BF375M
24V 1A REGULATED PSU
(NON-EN54)



BF377
24V 2A UNREGULATED
DOOR RELEASE PSU
(NON-EN54)



BF375PE
24V 250MA UNREGULATED
DOOR RELEASE PSU
C/W DETECTOR CIRCUIT
(NON-EN54)

- ▶ A range of robust UK manufactured power supplies ideal for powering and controlling beam detectors, auto-dial communicators, aspirating smoke detectors, auxiliary sounder systems, electromagnetic door retainers, auto-open vent control systems and more.
- ▶ Optional BF423 configurator allows the parameters of our EN54-4 PSUs to be tailored to suit a specific application.

- ▶ All EN54 versions include a protective PSU PCB cover to guard against touching live parts, a single-pole volt-free fault relay, two selectable battery charge currents and electronic functions that comply with EN50131-6 grades 1-4 (for security applications).
- ▶ Non-EN54 versions ideal for use with devices that do not perform a mandatory function of a fire alarm system or on nurse call, security, CCTV and other systems.





BF357

DOCUMENT BOX

- ▶ A light grey keyswitch lockable enclosure ideal for storing mandatory site specific documentation called for by BS 5839-1 such as log books, instruction manuals and 'as fitted' drawings in one convenient place.
- ▶ Designed to match the style, colour and finish of C-TEC's fire alarm products.
- ▶ Includes 10 key hooks for the optional storage of panel access keys, etc.
- ▶ Measures 450 x 345 x 95mm and includes two indents for optional customer branding.



BC285/2

3.2AHR VRLA BATTERY PACK

- ▶ 2 x 3.2 AH VRLA (valve regulated sealed lead acid) batteries ideal for use with our CFP conventional fire alarm panels.
- ▶ Larger battery packs available for use with our boxed power supply units - visit c-tec.com for details.



BF423

PSU CONFIGURATOR

- ▶ Designed for use with our EN54-4 PSUs.
- ▶ Allows the following PSU parameters to be configured to suit a specific application - float voltage temperature compensation, battery charge rate (mA), battery impedance, input/output settings.
- ▶ Requires a Windows PC.

Domestic Fire Alarm Kits

Do you install fire alarms in residential dwellings?

- ▶ Introducing a new range of Grade C domestic fire detection & alarm kits from C-TEC.
- ▶ Each kit includes all of the devices you need to create a typical LD2 dwelling system to BS 5839-6
- ▶ Attractive double gang controller includes easily accessible HUSH & TEST buttons and a 72hr standby battery
- ▶ Fully monitored for battery, power supply, head removal and open/short circuit faults.
- ▶ Can be used in any situation where Grade D mains battery alarms are specified.



SCAN TO VIEW OUR HUSH-ACTIV VIDEO

HAK/1 Hush ActiV Kit



- 1 x Hush-ActiV Controller
- 1 x 230V/24V 250mA PSU
- 1 x ActiV Multi-Sensor Fire Detector
- 1 x ActiV Heat Detector
- 1 x ActiV Smoke Detector
- 3 x ActiV Detector Bases
- 1 x ActiV 96dBA Base Sounder
- 1 x ActiV Base Sounder Lid

HAK/2 Hush ActiV Kit



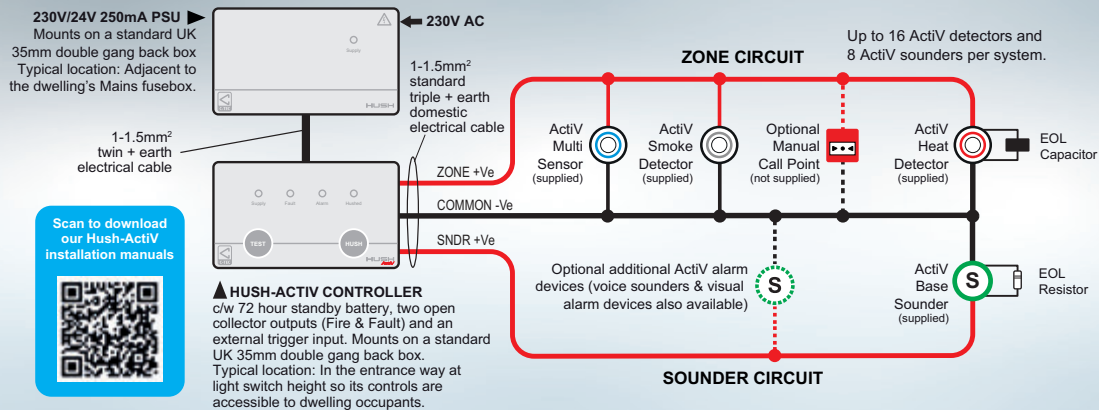
- 1 x Hush-ActiV Controller
- 1 x 230V/24V 250mA PSU
- 1 x ActiV Heat Detector
- 2 x ActiV Smoke Detector
- 3 x ActiV Detector Bases
- 1 x ActiV 96dBA Base Sounder
- 1 x ActiV Base Sounder Lid

HAK/3 Hush ActiV Kit



- 1 x Hush-ActiV Controller
- 1 x 230V/24V 250mA PSU
- 2 x ActiV Multi-Sensor Fire Detector
- 1 x ActiV Heat Detector
- 3 x ActiV Detector Bases
- 1 x ActiV 96dBA Base Sounder
- 1 x ActiV Base Sounder Lid

Hush-ActiV HAK/1 Kit Wiring



Scan to download our Hush-ActiV installation manuals

For guidance only. Note HAK/2 and HAK/3 kits have a different mix of field devices. Component order on all kits can be changed to suit specific applications.

C-TEC don't just make conventional fire alarm systems!

Established in 1981, C-TEC is a leading UK independent manufacturer of quality life safety electronic equipment.

Trading in over 70 countries and with product certifications and factory process approvals from five different test bodies, whatever your

life safety system requirements, You're Safe with C-TEC.

In addition to the conventional fire systems, domestic fire systems and power supplies detailed in this brochure, we also manufacture the following:-



Addressable Fire Systems



Extinguisher Systems



Two-Wire Fire Systems



Sprinkler Monitoring Systems



Disabled Refuge Systems



Hearing Loop Systems



Accessible Toilet Alarm Systems



Addressable Call Systems



Conventional Call Systems





You're Safe with C-TEC

c-tec.com

C-TEC, Challenge Way, Martland Park, Wigan, WN5 0LD United Kingdom

T: +44 (0) 1942 322744 F: +44 (0) 1942 829867 E: sales@c-tec.co.uk

Available from

